

## PRICE LIST 2017

1. PROFESSIONAL KITCHEN WORKTABLES
2. OTHER TABLES AND STANDS
3. DISHWASHING EQUIPMENT
4. SHELVES AND CUPBOARDS
5. TROLLEYS
6. EXHAUST HOODS
7. BAR EQUIPMENT
- 8. SERVING LINE EQUIPMENT**
9. COOLING COUNTERS AND HEATED EQUIPMENT
10. MODULAR TABLES

## YOUR RELIABLE PARTNER

**Novameta** is the largest and most advanced manufacturer of stainless steel commercial kitchen equipment in Baltic and Scandinavian countries. Extensive 16-year experience, attention to details along with an innovative mindset are the key factors which have enabled **Novameta** to establish trust in 18 markets throughout Europe.

A wide range of hot, cold and neutral standard equipment, precisely engineered and crafted non-standard products combined with a short, typically 2-4 week lead time is what makes us stand out of the crowd. What is more, our experienced team is all set to provide professional support and technical advice, enabling our clients to turn their ideas to tailor made turnkey solutions.


All of our products are marketed through a professional network of distributors throughout Europe. We are proud to provide an all-round assistance to our dealers, helping them to excel in the things they do best - planning, taking care of supply, installation and service to fulfil the needs of catering, bakery and retail industries.

Our main objectives are to maintain solid positions in Europe through sustaining partnership relationships with our clients, whilst at the same time expanding into new markets worldwide. Experienced and ambitious sales team, application of up-to-date 3D CAD software in our in-house design department, employment of latest production technologies and LEAN quality management based on ISO 9001:2000 standard, have determined the rapid expansion of our sales markets and therefore the consequent quick growth of the company.






Currently, over 165 employees work in the enterprise and the production area covers 5000 m<sup>2</sup>. **Novameta** manufactures over 180 different items every day, more than 1000 projects yearly!



### Novameta

 Draugystės g. 15D, LT-51227 Kaunas, Lithuania  
 +370 37 30 23 30  
 novameta@novameta.lt  
 www.novameta.lt

### Novameta UK

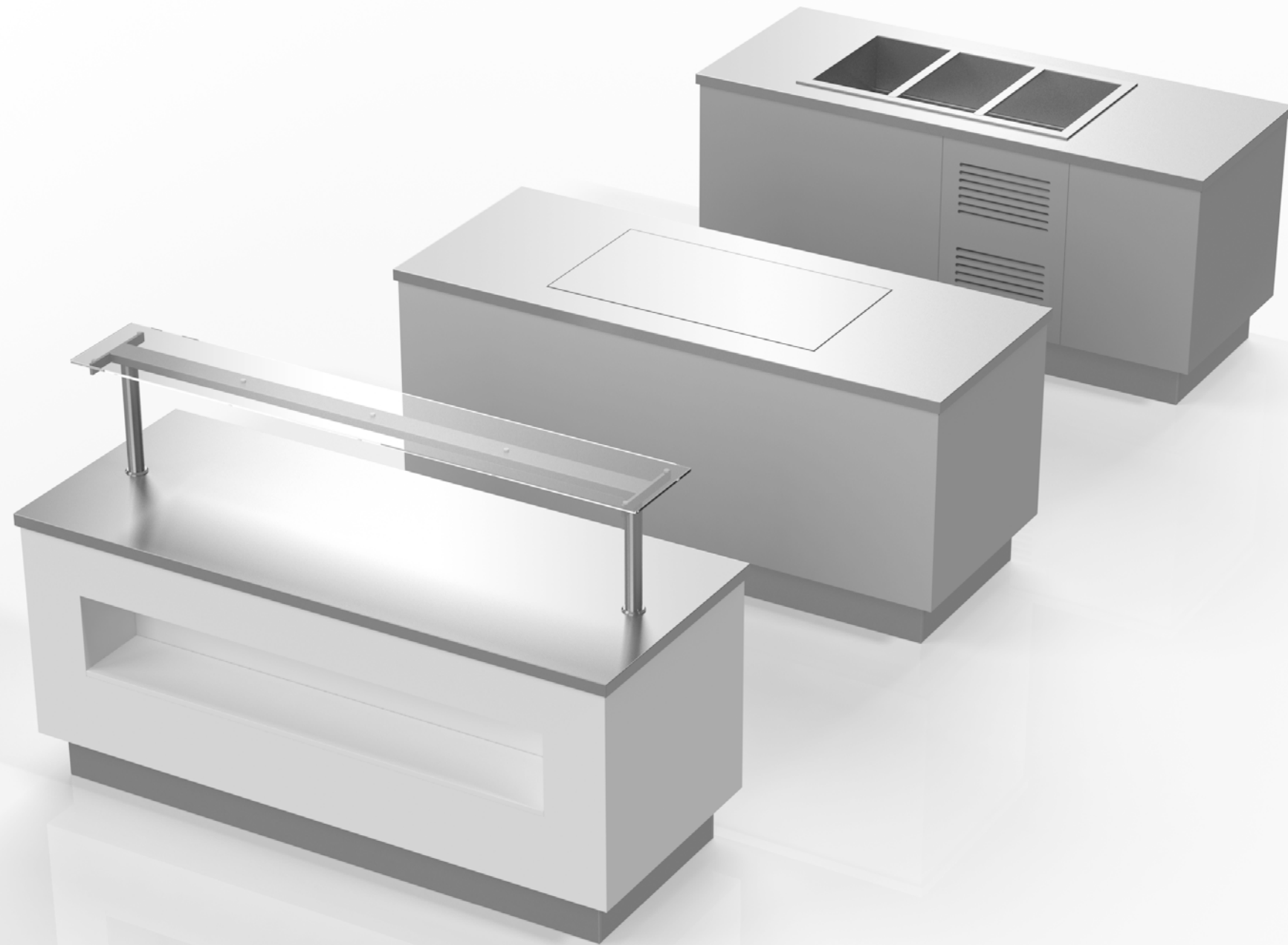
 1210 Parkview, Arlington Business Park, Theale, Reading, Berkshire RG7 4TY, UK  
 +44 118 965 4098  
 +44 791 874 0027  
 sales@novameta.co.uk  
 www.novameta.co.uk

© 2017 Novameta. All rights reserved.

Novameta respects the intellectual property rights of others and expects its clients and the users of its services to do the same. All information in this publication is property of Novameta and you do not have right to disclose it to any third party without permission. Technical specifications and prices are subject to change.

## CONTENTS

**LAMINATE BUFFETS AT A GLANCE**



3-4 week lead time



Detailed 3D drawings



Orders made on time



Wide range of different modules



Flexibility in non-standard solutions



High-quality materials and sturdy construction

**HOW IT WORKS?**

+ CHOOSE A LAMINATE COUNTER TYPE AND SIZE



+ ADD EXTRA FEATURES (HEATED PLATES, COOLING PLATES, UPPER SHELVES, ETC.)



= YOUR CUSTOMISED LAMINATE COUNTER

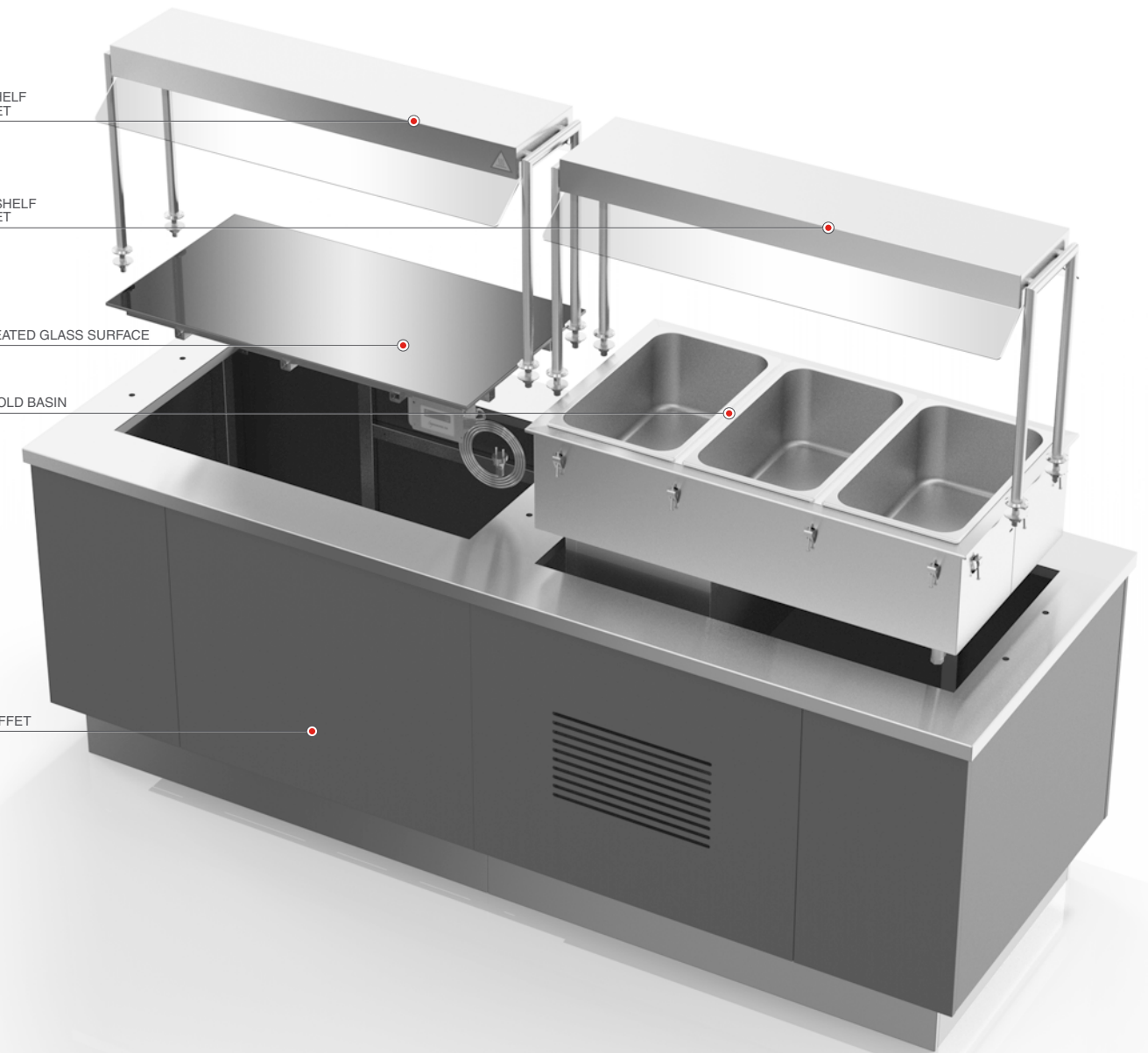
HEATED SHELF FOR BUFFET  
page 8.12

NEUTRAL SHELF FOR BUFFET  
page 8.16

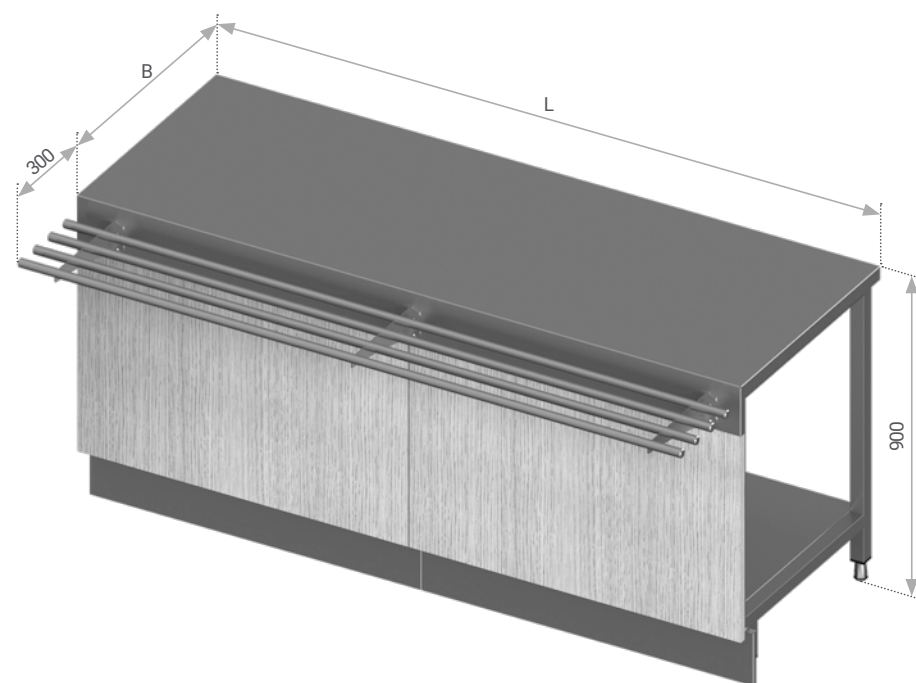
BUILT-IN HEATED GLASS SURFACE  
page 8.38

DROP-IN COLD BASIN  
page 8.28

ISLAND BUFFET  
page 8.8



Designing costs apply

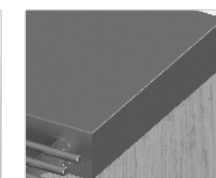
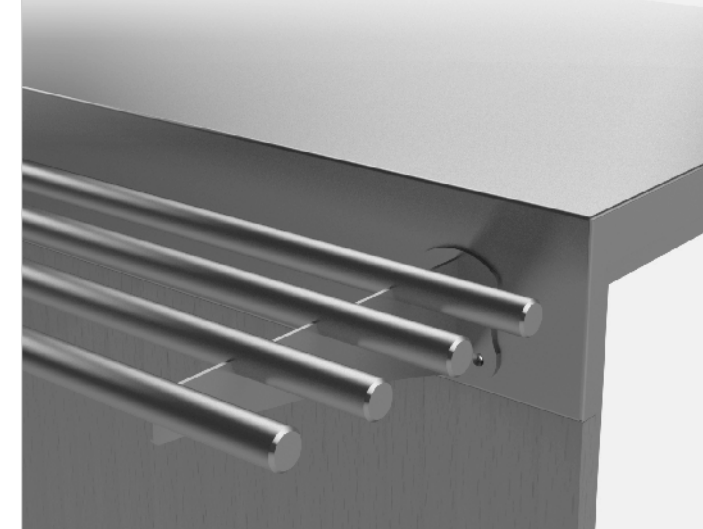


*More accessories on page 8.42.  
Different dimensions and configurations are available on request. Examples on page 8.46.*

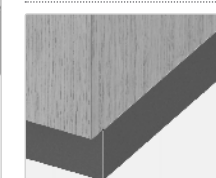
Length L, mm	Width B, mm				Sections
	700		800		
	Model	Price, €	Model	Price, €	
600	Z-EPC-PLV-60/70/90	846	Z-EPC-PLV-60/80/90	866	1
700	Z-EPC-PLV-70/70/90	886	Z-EPC-PLV-70/80/90	908	1
800	Z-EPC-PLV-80/70/90	924	Z-EPC-PLV-80/80/90	948	1
900	Z-EPC-PLV-90/70/90	964	Z-EPC-PLV-90/80/90	990	1
1000	Z-EPC-PLV-100/70/90	1002	Z-EPC-PLV-100/80/90	1030	1
1100	Z-EPC-PLV-110/70/90	1042	Z-EPC-PLV-110/80/90	1070	1
1200	Z-EPC-PLV-120/70/90	1080	Z-EPC-PLV-120/80/90	1112	1
1300	Z-EPC-PLV-130/70/90	1172	Z-EPC-PLV-130/80/90	1210	1
1400	Z-EPC-PLV-140/70/90	1214	Z-EPC-PLV-140/80/90	1254	1
1500	Z-EPC-PLV-150/70/90	1256	Z-EPC-PLV-150/80/90	1298	1
1600	Z-EPC-PLV-160/70/90	1298	Z-EPC-PLV-160/80/90	1342	1
1700	Z-EPC-PLV-170/70/90	1338	Z-EPC-PLV-170/80/90	1386	1
1800	Z-EPC-PLV-180/70/90	1380	Z-EPC-PLV-180/80/90	1430	1
1900	Z-EPC-PLV-190/70/90	1422	Z-EPC-PLV-190/80/90	1474	1
2000	Z-EPC-PLV-200/70/90	1464	Z-EPC-PLV-200/80/90	1518	1
2100	Z-EPC-PLV-210/70/90	1790	Z-EPC-PLV-210/80/90	1848	2
2200	Z-EPC-PLV-220/70/90	1832	Z-EPC-PLV-220/80/90	1892	2
2300	Z-EPC-PLV-230/70/90	1886	Z-EPC-PLV-230/80/90	1950	2
2400	Z-EPC-PLV-240/70/90	1928	Z-EPC-PLV-240/80/90	1994	2
2500	Z-EPC-PLV-250/70/90	1970	Z-EPC-PLV-250/80/90	2038	2
2600	Z-EPC-PLV-260/70/90	2012	Z-EPC-PLV-260/80/90	2082	2
2700	Z-EPC-PLV-270/70/90	2054	Z-EPC-PLV-270/80/90	2126	2
2800	Z-EPC-PLV-280/70/90	2094	Z-EPC-PLV-280/80/90	2170	2
2900	Z-EPC-PLV-290/70/90	2136	Z-EPC-PLV-290/80/90	2214	2
3000	Z-EPC-PLV-300/70/90	2570	Z-EPC-PLV-300/80/90	2650	2
3100	Z-EPC-PLV-310/70/90	2708	Z-EPC-PLV-310/80/90	2800	2
3200	Z-EPC-PLV-320/70/90	2752	Z-EPC-PLV-320/80/90	2848	2
3300	Z-EPC-PLV-330/70/90	2810	Z-EPC-PLV-330/80/90	2908	2
3400	Z-EPC-PLV-340/70/90	2854	Z-EPC-PLV-340/80/90	2954	2
3500	Z-EPC-PLV-350/70/90	2900	Z-EPC-PLV-350/80/90	3002	2
3600	Z-EPC-PLV-360/70/90	3228	Z-EPC-PLV-360/80/90	3336	3
3700	Z-EPC-PLV-370/70/90	3272	Z-EPC-PLV-370/80/90	3384	3
3800	Z-EPC-PLV-380/70/90	3318	Z-EPC-PLV-380/80/90	3432	3
3900	Z-EPC-PLV-390/70/90	3362	Z-EPC-PLV-390/80/90	3478	3
4000	Z-EPC-PLV-400/70/90	3406	Z-EPC-PLV-400/80/90	3526	3

**STANDARD FEATURES**

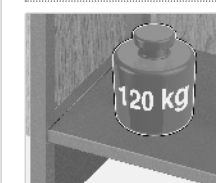
**STAINLESS STEEL TRAY RAILS 300 mm**



High front of table top (height 145 mm)



High removable socle (height 160 mm)

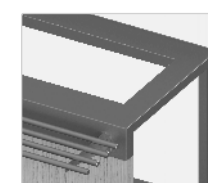


Welded frame  
Legs made of stainless steel tube 40 x 40 mm  
Max loading 120 kg/shelf (uniform layout)



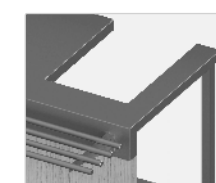
Standard laminate panel (all options on page 8.43)

**OPTIONAL FEATURES**



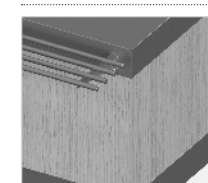
**Cut out for equipment**

Code: Z-CUT  
Price: Ask for price



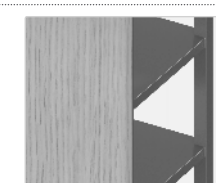
**Cut out for equipment**

Code: Z-CUT-OPEN  
Price: Ask for price



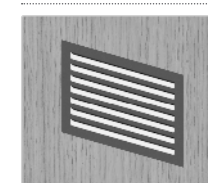
**Side laminate panel**

Code: Z-SIDE-LAM  
Price: Ask for price



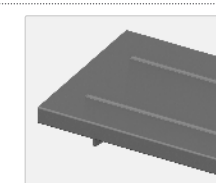
**Additional shelf**

Code: Z-L2  
Price/100 mm: 16 €



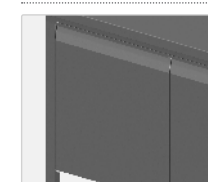
**Stainless steel ventilation grid**

Code: Z-GRID  
Price: 88 €



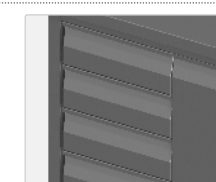
**Stainless steel tray rails**

Code: Z-SPT  
Price/100 mm: 11 €  
Note: max length 2800 mm per piece



**Stainless steel shutting doors**

Code: Z-VLU  
Price/100 mm: 28 €



**Stainless steel drawers**

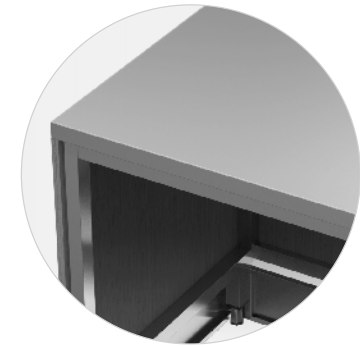
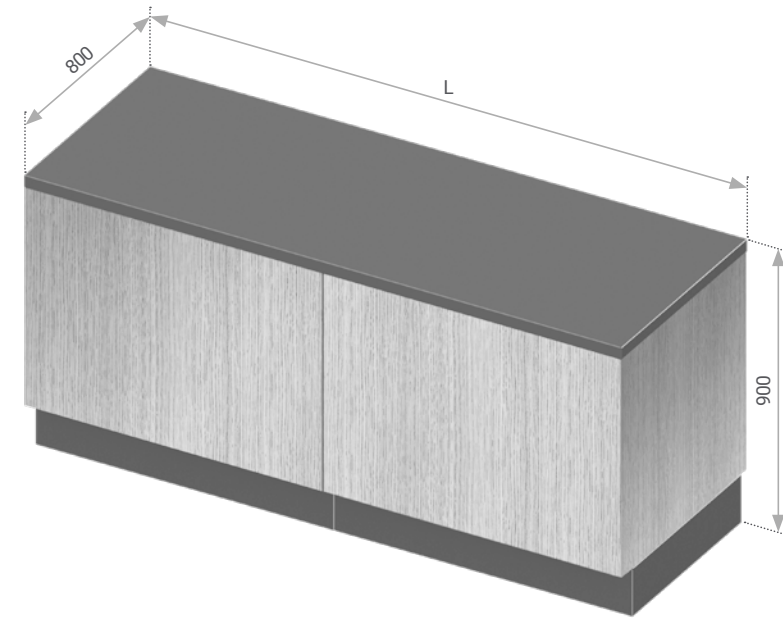
All options on page 8.44



**Non standard laminate panel**

Code: Z-LAM  
Price: Ask for price  
Note: all options on page 8.43

NEW



NEXT TO THE WALL - OPEN BACK SIDE

*i* Different dimensions and configurations are available on request. Examples on page 8.46.

Length L, mm	Width B, mm		Sections
	800		
	Model	Price, €	
1500	Z-EPP-PRV-150/80/90	1909	1
2000	Z-EPP-PRV-200/80/90	2241	1
2500	Z-EPP-PRV-250/80/90	2645	2
3000	Z-EPP-PRV-300/80/90	3304	2

STANDARD FEATURES

HEAVY DUTY, LOW NOISE  
PRESSED SANDWICH CONSTRUCTION  
TABLE TOP  
(max loading 120 kg uniform layout)

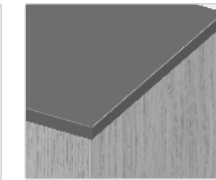
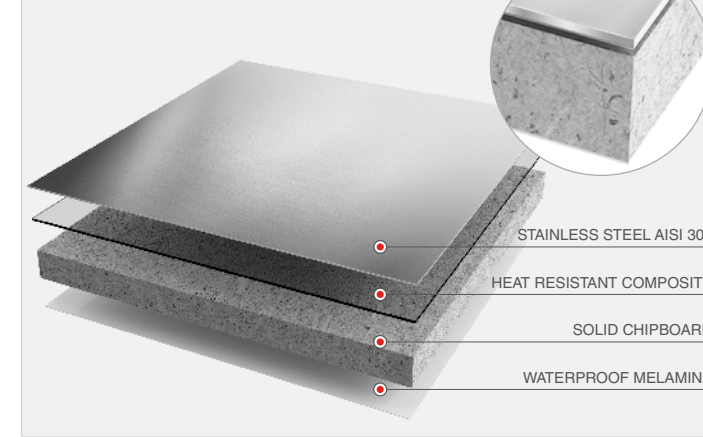
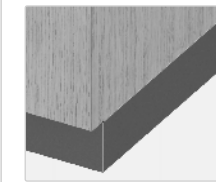
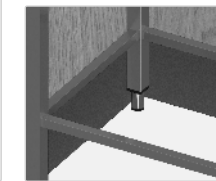


Table top height 40 mm



High removable socle (height 160 mm)



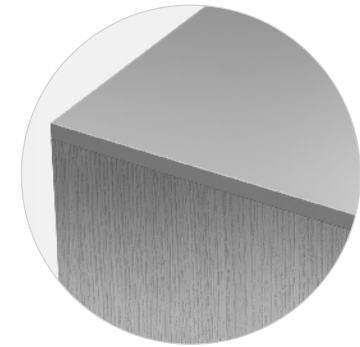
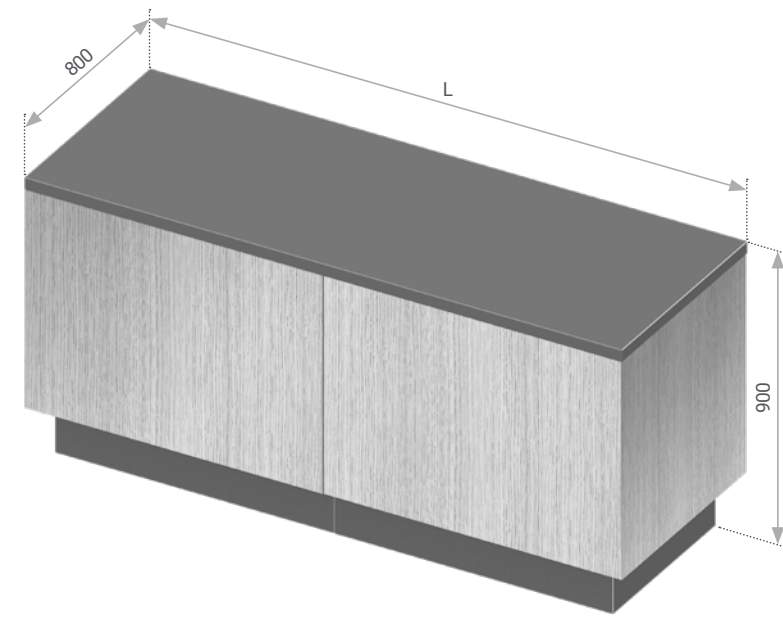
Welded frame  
Legs made of stainless steel tube 40 x 40 mm  
Frame made of stainless steel tube 25 x 25 mm



Standard laminate panel (all options on page 8.43)

ISLAND BUFFET

NEW



FREE STANDING - ALL SIDES CLOSED

*i* Different dimensions and configurations are available on request. Examples on page 8.46.

Length L, mm	Width B, mm		Sections
	800		
	Model	Price, €	
1500	Z-EPS-PRV-150/80/90	2074	1
2000	Z-EPS-PRV-200/80/90	2461	1
2500	Z-EPS-PRV-250/80/90	2920	2
3000	Z-EPS-PRV-300/80/90	3634	2

OPTIONAL FEATURES



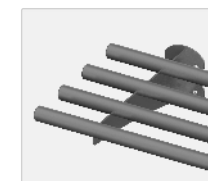
Set of galvanized wheels Ø125 mm (4 pcs),  
2 pcs with brakes

Code: K-RAX125-157NCG  
Price: 108 €



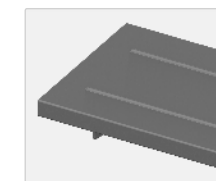
Set of stainless steel wheels Ø125mm (4 pcs),  
2 pcs with brakes

Code: K-RAX125-157NNG  
Price: 192 €



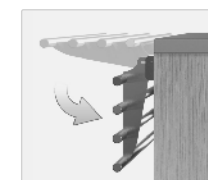
Stainless steel tube tray rails

Code: Z-STT  
Price/100 mm: 16 €



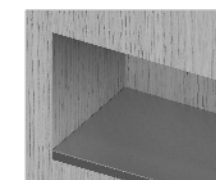
Stainless steel plain tray rails

Code: Z-SPT  
Price/100 mm: 11 €  
Note: max length 2800 mm per piece



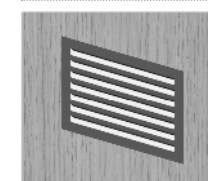
Foldable stainless steel tray rails

Code: Z-FOLD  
Price/100mm: 34 €



Niche for plates

Code: Z-NICHE  
Price: Ask for price



Stainless steel ventilation grid

Code: Z-GRID  
Price: 88 €



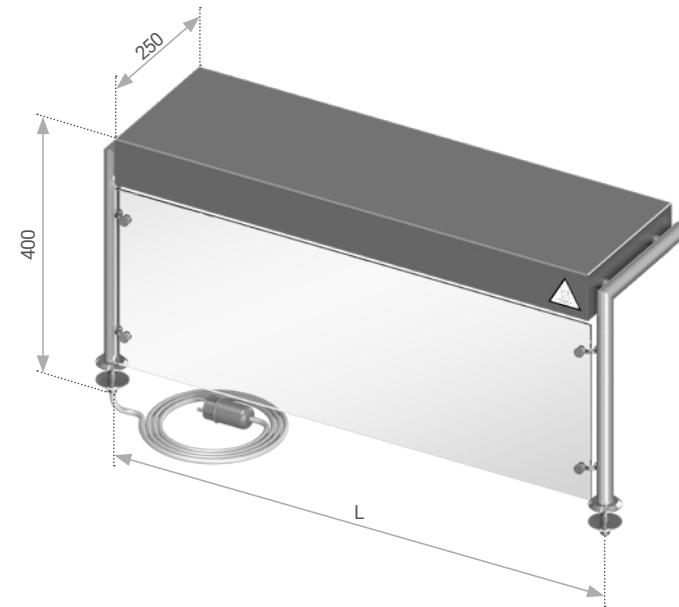
Shutting doors  
(laminated or stainless steel available)

Code: Z-DOORS  
Price: Ask for price



Non standard laminate panel

Code: Z-LAM  
Price: Ask for price  
Note: all options on page 8.43



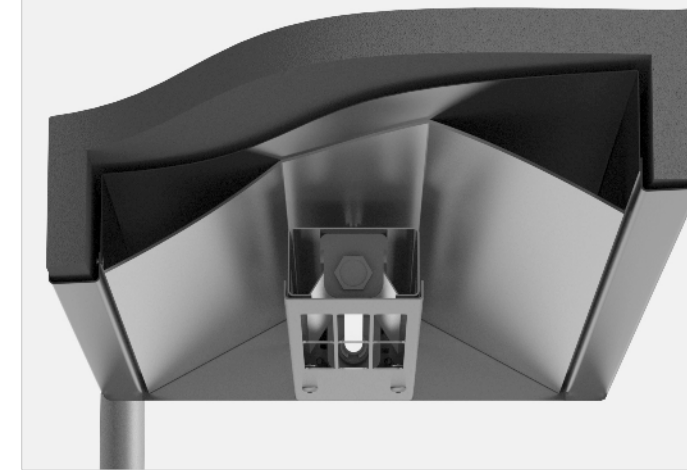
*Designed for standard DROP-IN UWM units. Different dimensions and configurations are available on request. Examples on page 8.46.*



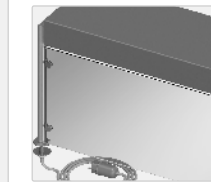
Length L, mm	Model	Price, €	Light bulbs	Max temperature, °C	Input	Max Power	Shelf dimension
795	LPH1-80/25/40	603	2 x 300 W	+60	2,6 A	600 W	2 GN1/1
1135	LPH1-114/25/40	676	2 x 300 W	+60	2,6 A	600 W	3 GN1/1
1480	LPH1-148/25/40	735	3 x 300 W	+60	3,9 A	900 W	4 GN1/1

**STANDARD FEATURES**

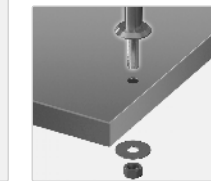
SHELF WITH INFRARED LIGHT BULBS 300 W AND THERMAL INSULATION



Adjustable temperature up to +60 °C



Tempered 6 mm glass



Frame made of round tube. Easy to assemble

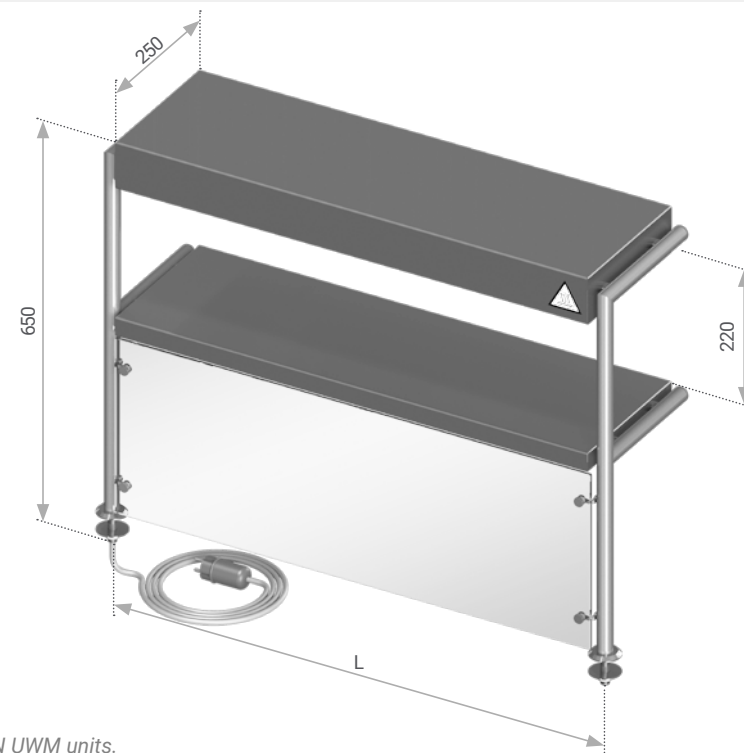
**OPTIONAL FEATURES**



**Light bulbs (500 W)**

Code: K-ELI-500W  
Price/pc: 24 €

DOUBLE HEATED SHELF FOR SERVING LINE



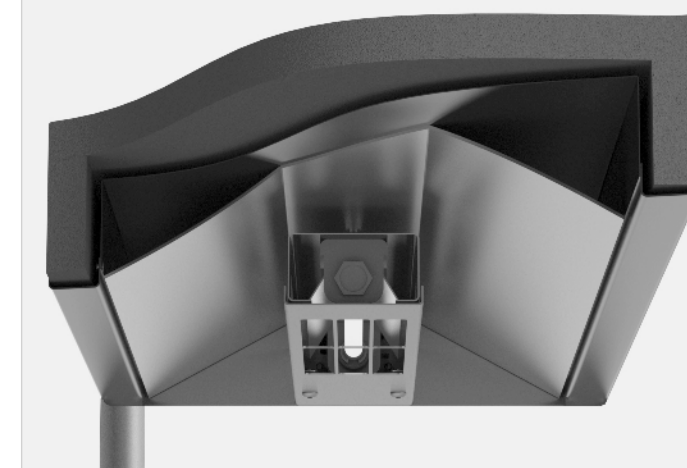
*Designed for standard DROP-IN UWM units. Different dimensions and configurations are available on request. Examples on page 8.46.*



Length L, mm	Model	Price, €	Light bulbs	Max temperature, °C	Input	Max Power	Shelf dimension
795	LPH2-80/25/65	659	2 x 300 W	+60	2,6 A	600 W	2 GN1/1
1135	LPH2-114/25/65	739	2 x 300 W	+60	2,6 A	600 W	3 GN1/1
1480	LPH2-148/25/65	798	3 x 300 W	+60	3,9 A	900 W	4 GN1/1

**STANDARD FEATURES**

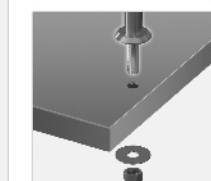
SHELF WITH INFRARED LIGHT BULBS 300 W AND THERMAL INSULATION



Adjustable temperature up to +60 °C



Tempered 6 mm glass



Frame made of round tube. Easy to assemble

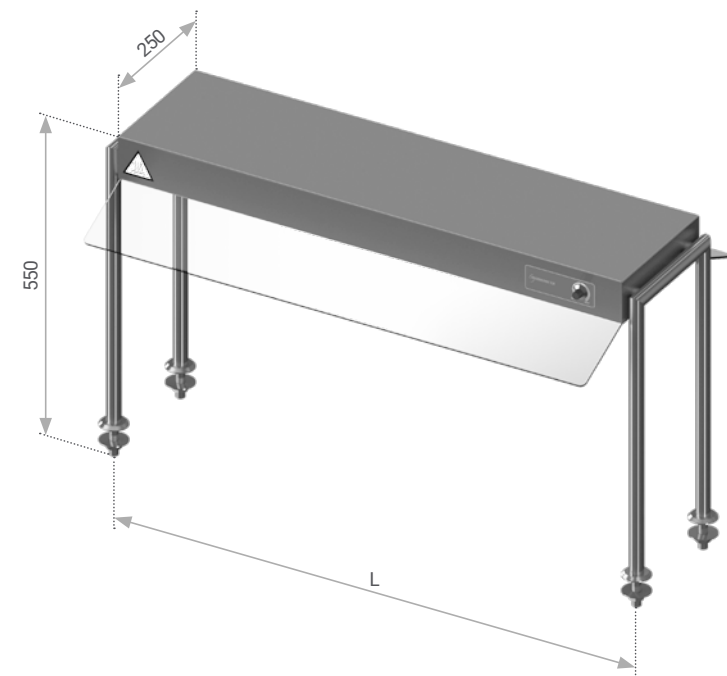
**OPTIONAL FEATURES**



**Light bulbs (500 W)**

Code: K-ELI-500W  
Price/pc: 24 €

**NEW**



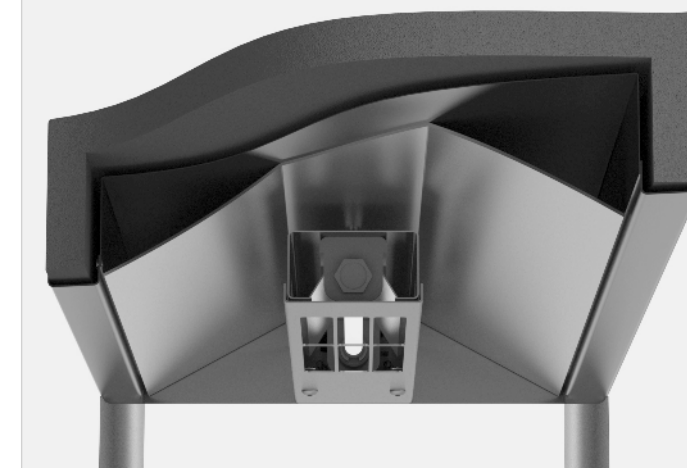
**i** Designed for standard DROP-IN UWM units.  
Different dimensions and configurations are available on request. Examples on page 8.46.



Length L, mm	Model	Price, €	Light bulbs	Max temperature, °C	Input	Max Power	Shelf dimension
795	LPHC1-80/25/55	639	2 x 300 W	+60	2,6 A	600 W	2 GN1/1
1135	LPHC1-114/25/55	717	2 x 300 W	+60	2,6 A	600 W	3 GN1/1
1480	LPHC1-148/25/55	795	3 x 300 W	+60	3,9 A	900 W	4 GN1/1

**STANDARD FEATURES**

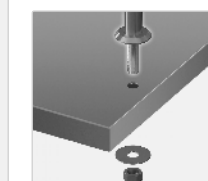
SHELF WITH INFRARED LIGHT BULBS 300 W AND THERMAL INSULATION



Adjustable temperature up to +60 °C



Acrylic glass 4 mm on both sides

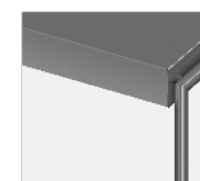


Frame made of round tube. Easy to assemble



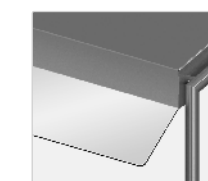
Max loading 10 kg/shelf (uniform layout)

**OPTIONAL FEATURES**



**Without glass**

Code: A-LPHC1-0S  
Price/pc: -3%



**Glass on one side**

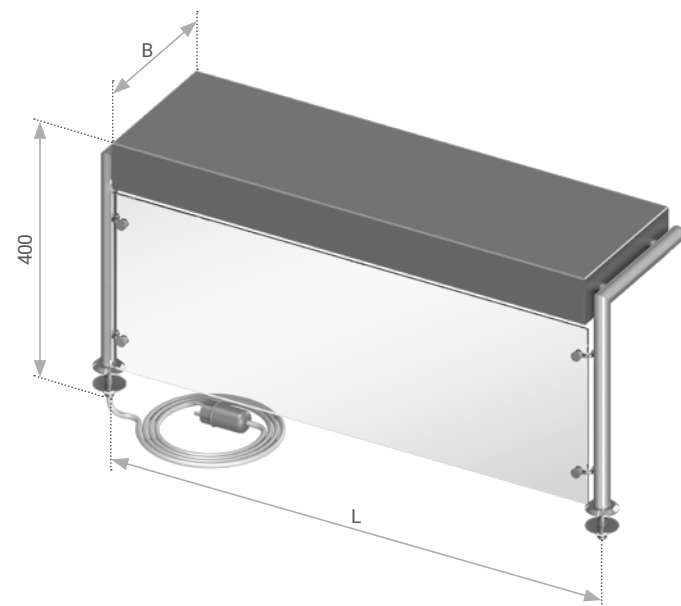
Code: A-LPHC1-1S  
Price/pc: -2%



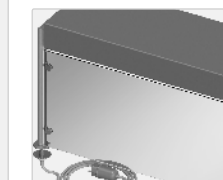
**Light bulbs (500 W)**

Code: K-ELI-500W  
Price/pc: 24 €

STANDARD FEATURES



LED lighting



Tempered 6 mm glass



Frame made of round tube. Easy to assemble



Max loading 10 kg/shelf (uniform layout)

*Information icon* Different dimensions and configurations are available on request. Examples on page 8.46.



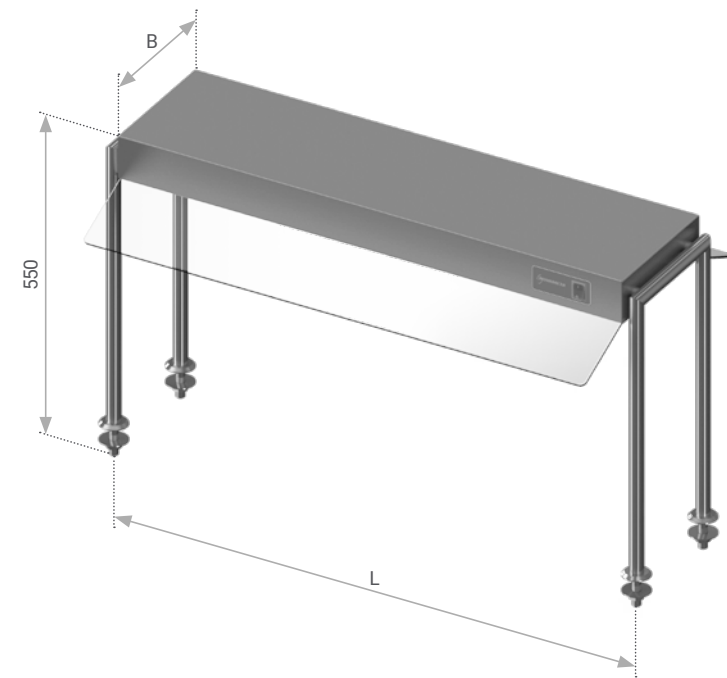
Length L, mm	Width B, mm							
	250		300		350		400	
	Model	Price, €	Model	Price, €	Model	Price, €	Model	Price, €
1000	LPE1-100/25/40	469	LPE1-100/30/40	491	LPE1-100/35/40	513	LPE1-100/40/40	535
1100	LPE1-110/25/40	500	LPE1-110/30/40	524	LPE1-110/35/40	548	LPE1-110/40/40	571
1200	LPE1-120/25/40	532	LPE1-120/30/40	557	LPE1-120/35/40	582	LPE1-120/40/40	607
1300	LPE1-130/25/40	563	LPE1-130/30/40	590	LPE1-130/35/40	617	LPE1-130/40/40	643
1400	LPE1-140/25/40	595	LPE1-140/30/40	623	LPE1-140/35/40	651	LPE1-140/40/40	679
1500	LPE1-150/25/40	626	LPE1-150/30/40	656	LPE1-150/35/40	686	LPE1-150/40/40	715
1600	LPE1-160/25/40	686	LPE1-160/30/40	718	LPE1-160/35/40	750	LPE1-160/40/40	783
1700	LPE1-170/25/40	745	LPE1-170/30/40	780	LPE1-170/35/40	815	LPE1-170/40/40	850
1800	LPE1-180/25/40	804	LPE1-180/30/40	842	LPE1-180/35/40	880	LPE1-180/40/40	918
1900	LPE1-190/25/40	864	LPE1-190/30/40	905	LPE1-190/35/40	946	LPE1-190/40/40	986
2000	LPE1-200/25/40	926	LPE1-200/30/40	970	LPE1-200/35/40	1014	LPE1-200/40/40	1057

*Information icon* Designed for standard DROP-IN units UCG, UCGV, UCP and UWM.

Length L, mm	Width B, mm								Shelf dimension
	250		300		350		400		
	Model	Price, €	Model	Price, €	Model	Price, €	Model	Price, €	
795	LPE1-80/25/40	405	LPE1-80/30/40	423	LPE1-80/35/40	441	LPE1-80/40/40	461	2 GN1/1
1135	LPE1-114/25/40	511	LPE1-114/30/40	536	LPE1-114/35/40	560	LPE1-114/40/40	584	3 GN1/1
1480	LPE1-148/25/40	620	LPE1-148/30/40	649	LPE1-148/35/40	679	LPE1-148/40/40	709	4 GN1/1
1820	LPE1-182/25/40	816	LPE1-182/30/40	855	LPE1-182/35/40	893	LPE1-182/40/40	932	5 GN1/1
2160	LPE1-216/25/40	1025	LPE1-216/30/40	1047	LPE1-216/35/40	1123	LPE1-216/40/40	1171	6 GN1/1



NEW



*Information icon* Different dimensions and configurations are available on request. Examples on page 8.46.



Length L, mm	Width B, mm							
	250		300		350		400	
	Model	Price, €	Model	Price, €	Model	Price, €	Model	Price, €
1000	LPEC1-100/25/55	497	LPEC1-100/30/55	520	LPEC1-100/35/55	544	LPEC1-100/40/55	567
1100	LPEC1-110/25/55	530	LPEC1-110/30/55	555	LPEC1-110/35/55	580	LPEC1-110/40/55	605
1200	LPEC1-120/25/55	564	LPEC1-120/30/55	590	LPEC1-120/35/55	617	LPEC1-120/40/55	644
1300	LPEC1-130/25/55	597	LPEC1-130/30/55	625	LPEC1-130/35/55	654	LPEC1-130/40/55	682
1400	LPEC1-140/25/55	631	LPEC1-140/30/55	660	LPEC1-140/35/55	690	LPEC1-140/40/55	720
1500	LPEC1-150/25/55	664	LPEC1-150/30/55	695	LPEC1-150/35/55	727	LPEC1-150/40/55	758
1600	LPEC1-160/25/55	727	LPEC1-160/30/55	761	LPEC1-160/35/55	795	LPEC1-160/40/55	830
1700	LPEC1-170/25/55	790	LPEC1-170/30/55	827	LPEC1-170/35/55	864	LPEC1-170/40/55	901
1800	LPEC1-180/25/55	852	LPEC1-180/30/55	893	LPEC1-180/35/55	933	LPEC1-180/40/55	973
1900	LPEC1-190/25/55	916	LPEC1-190/30/55	959	LPEC1-190/35/55	1002	LPEC1-190/40/55	1046
2000	LPEC1-200/25/55	982	LPEC1-200/30/55	1028	LPEC1-200/35/55	1074	LPEC1-200/40/55	1121

*Information icon* Designed for standard DROP-IN units UCG, UCGV, UCP and UWM.

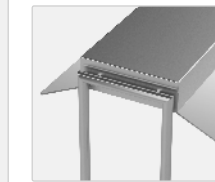
Length L, mm	Width B, mm								Shelf dimension
	250		300		350		400		
	Model	Price, €	Model	Price, €	Model	Price, €	Model	Price, €	
795	LPEC1-80/25/55	429	LPEC1-80/30/55	448	LPEC1-80/35/55	470	LPEC1-80/55/55	489	2 GN1/1
1135	LPEC1-114/25/55	542	LPEC1-114/30/55	567	LPEC1-114/35/55	593	LPEC1-114/55/55	619	3 GN1/1
1480	LPEC1-148/25/55	657	LPEC1-148/30/55	688	LPEC1-148/35/55	720	LPEC1-148/55/55	751	4 GN1/1
1820	LPEC1-182/25/55	865	LPEC1-182/30/55	906	LPEC1-182/35/55	949	LPEC1-182/55/55	988	5 GN1/1
2160	LPEC1-216/25/55	1088	LPEC1-216/30/55	1138	LPEC1-216/35/55	1189	LPEC1-216/55/55	1241	6 GN1/1

STANDARD FEATURES

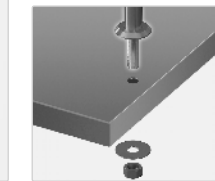
HEAVY DUTY CONSTRUCTION



LED lighting



Acrylic glass 4 mm on both sides

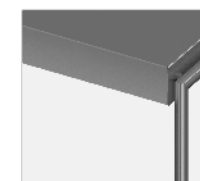


Frame made of round tube. Easy to assemble



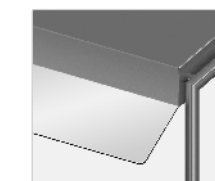
Max loading 10 kg/shelf (uniform layout)

OPTIONAL FEATURES



Without glass

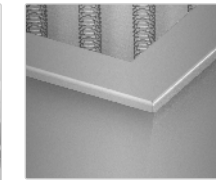
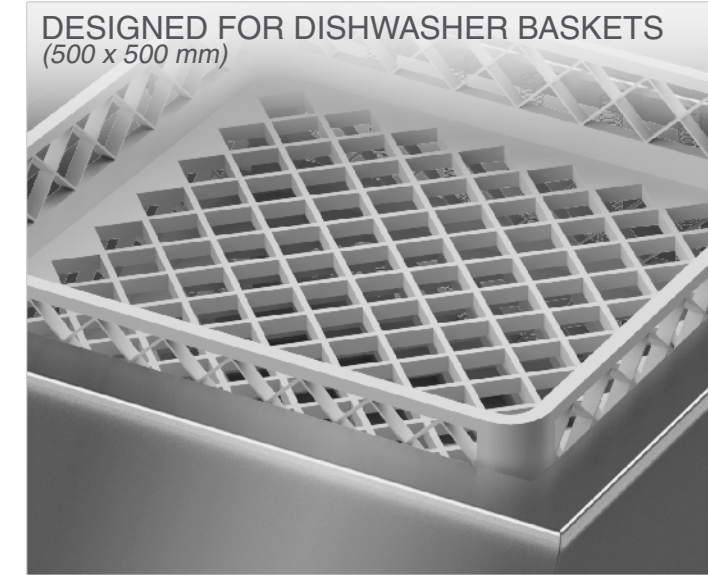
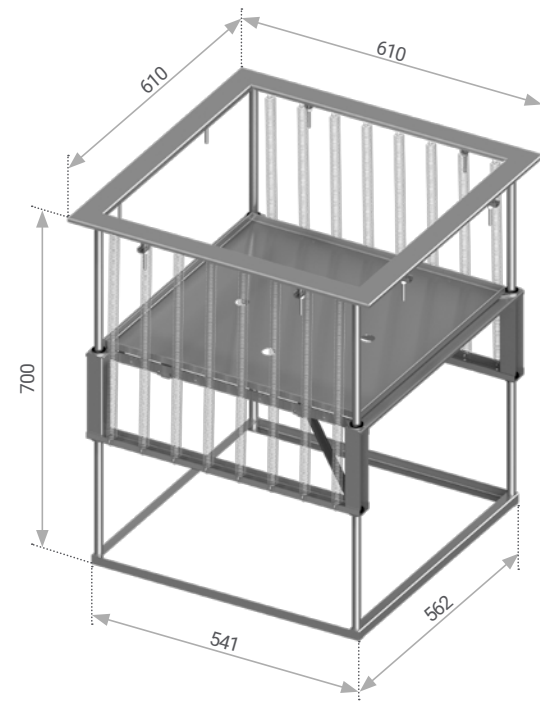
Code: A-LPEC1-0S  
Price/pc: -3%



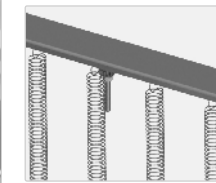
Glass on one side

Code: A-LPEC1-1S  
Price/pc: -2%

**STANDARD FEATURES**



DROP-IN (easily fits on table top)



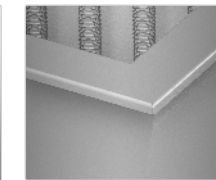
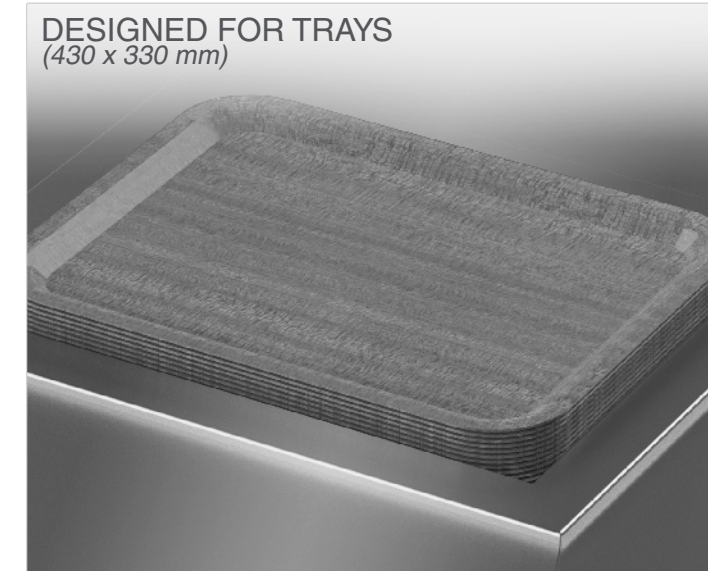
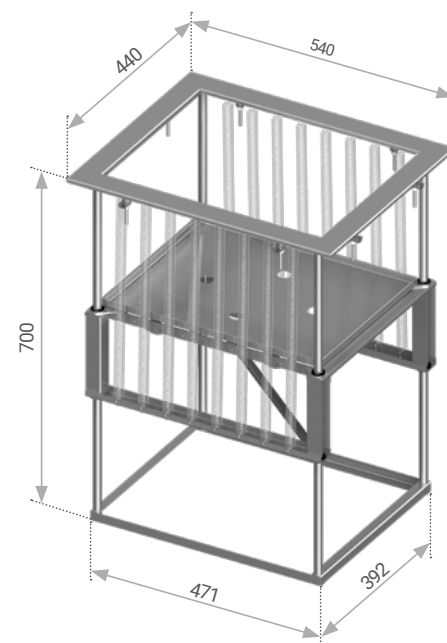
Self adjustable to weight of dishwasher baskets

*i* Different dimensions and configurations are available on request. Examples on page 8.46.

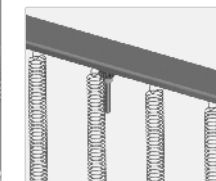
Model	Price, €	Cut out (mm)	Basket dimensions (mm)	Amount of baskets	Max load (kg)
UNB1-61/61/70	537	580 x 580	500 x 500 x 100	5	50

DROP-IN DISPENSER FOR TRAYS

**STANDARD FEATURES**



DROP-IN (easily fits on table top)

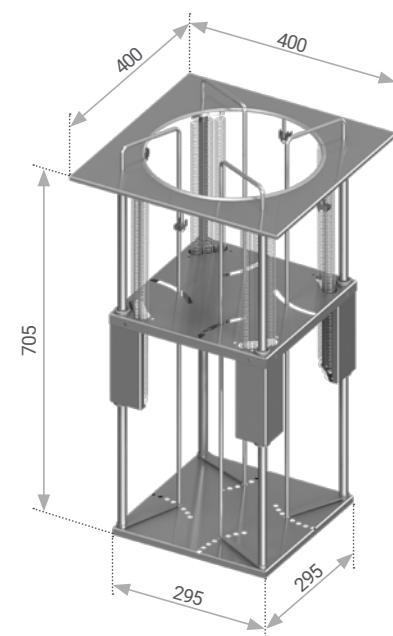


Self adjustable to weight of trays

*i* Different dimensions and configurations are available on request. Examples on page 8.46.

Model	Price, €	Cut out (mm)	Tray dimensions (mm)	Amount of trays	Max load (kg)
UNT1-54/44/70	513	510 x 410	430 x 330	100	50

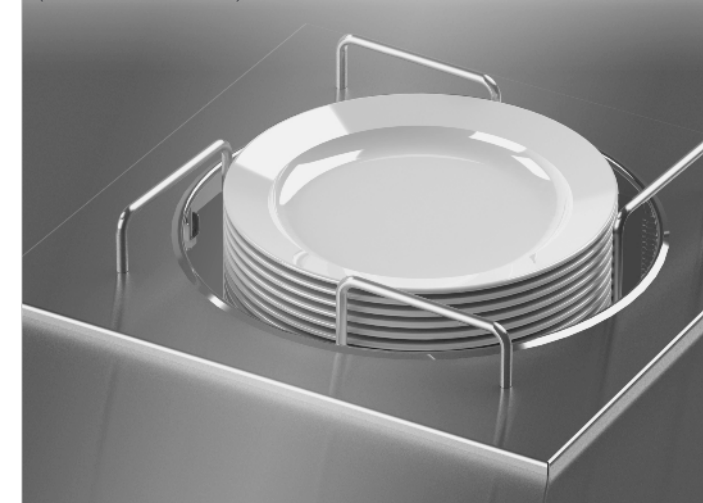
**STANDARD FEATURES**



*i* Different dimensions and configurations are available on request. Examples on page 8.46.

Model	Price, €	Cut out (mm)	Diameter of plates (mm)	Amount of plates	Max load (kg)
UNL1-40/40/71	319	350 x 350	160 - 280	50 - 70	35

DESIGNED FOR PLATES  
(Ø 160 - 280 mm)



DROP-IN (easily fits on table top)



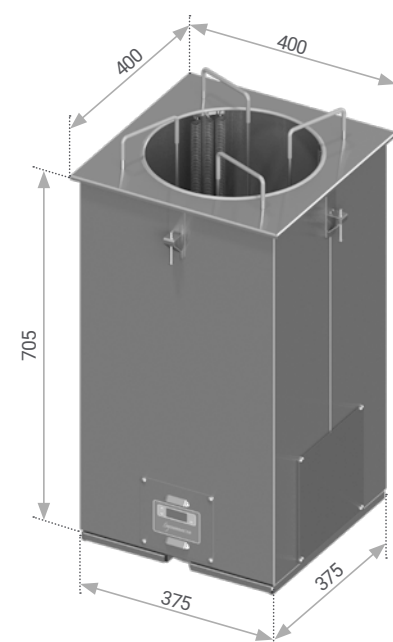
Self adjustable to weight of the plates



Suitable for plates of different size

HEATED DROP-IN DISPENSER FOR PLATES

**STANDARD FEATURES**

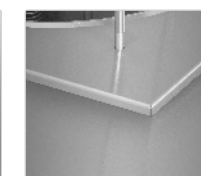
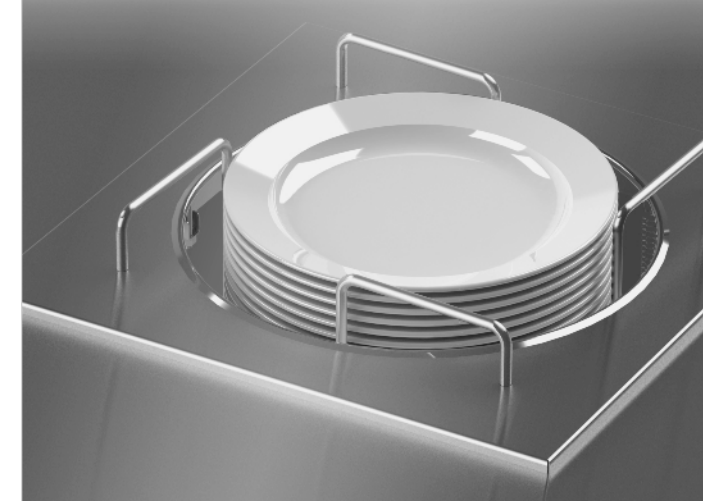


*i* Different dimensions and configurations are available on request. Examples on page 8.46.

Model	Price, €	Cut out (mm)	Diameter of plates (mm)	Amount of plates	Max load (kg)	°C	Input	Power
UWL1-40/40/71	680	380x380	160 - 280	50 - 70	35	+30 ... +85	8,7 A	2000 W



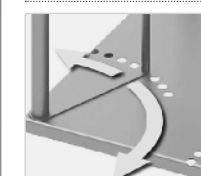
DESIGNED FOR PLATES  
(Ø 160 - 280 mm)



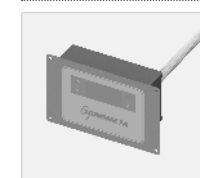
DROP-IN (easily fits on table top)



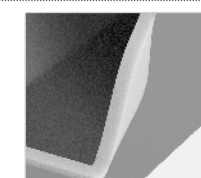
Self adjustable to weight of the plates



Suitable for plates of different size

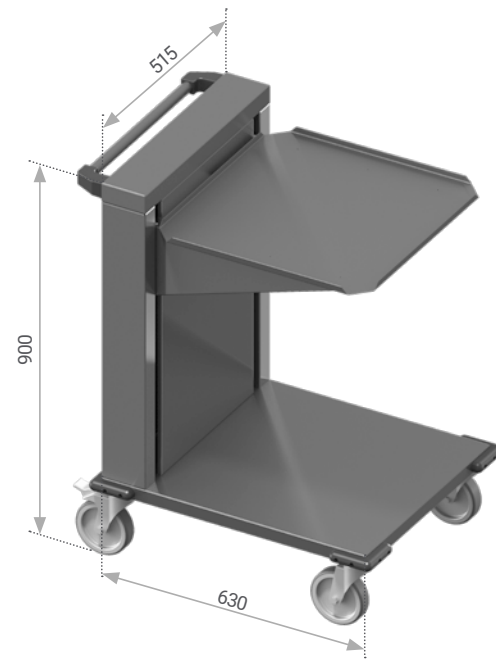


Remote control  
Easy-to-clean digital controller with adjustable temperature (+30 ... +85 °C)

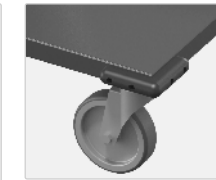
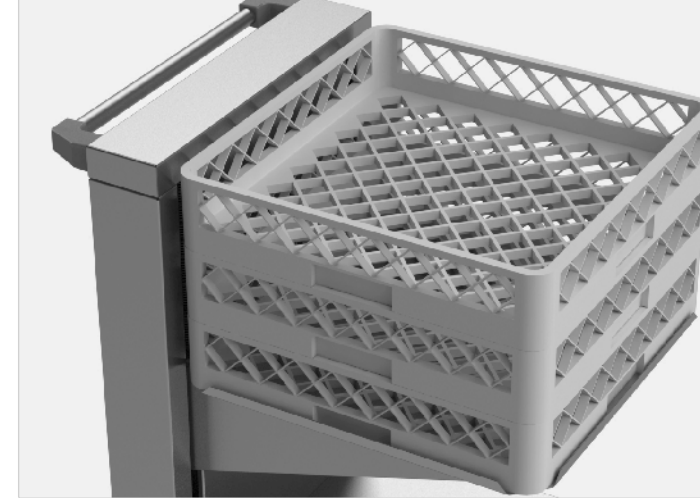


Double-wall construction with thermal insulation

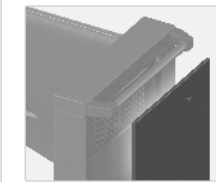
**STANDARD FEATURES**



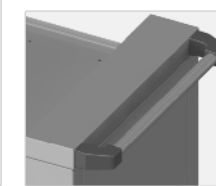
DESIGNED FOR DISHWASHER BASKETS  
(500 x 500 mm)



Set of galvanized wheels Ø125 mm (4 pcs),  
2 pcs with brakes, plastic protecting bumpers



Easily removable back panel for spring adjustment



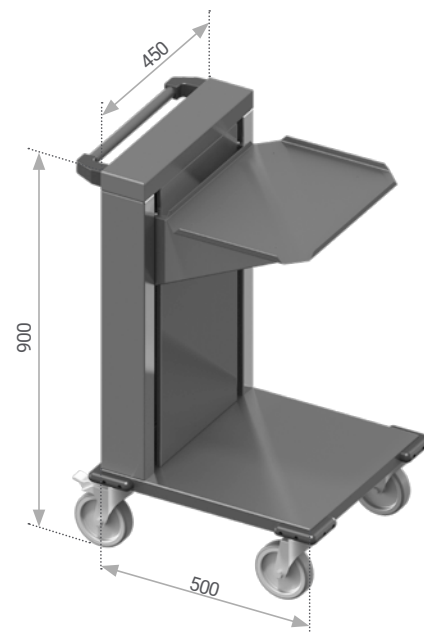
Ergonomic stainless steel handle

*Information icon* Different dimensions and configurations are available on request. Examples on page 8.46.

Model	Price, €	Dimensions of baskets, mm	Amount of baskets	Max load, kg
VTBD1-52/63/90	616	500 x 500 x 100	5	50

DISPENSER TROLLEY FOR TRAYS

**STANDARD FEATURES**



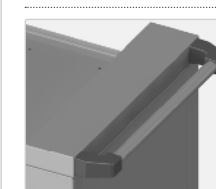
DESIGNED FOR TRAYS  
(430 x 330 mm)



Set of galvanized wheels Ø125 mm (4 pcs),  
2 pcs with brakes, plastic protecting bumpers



Easily removable back panel for spring adjustment

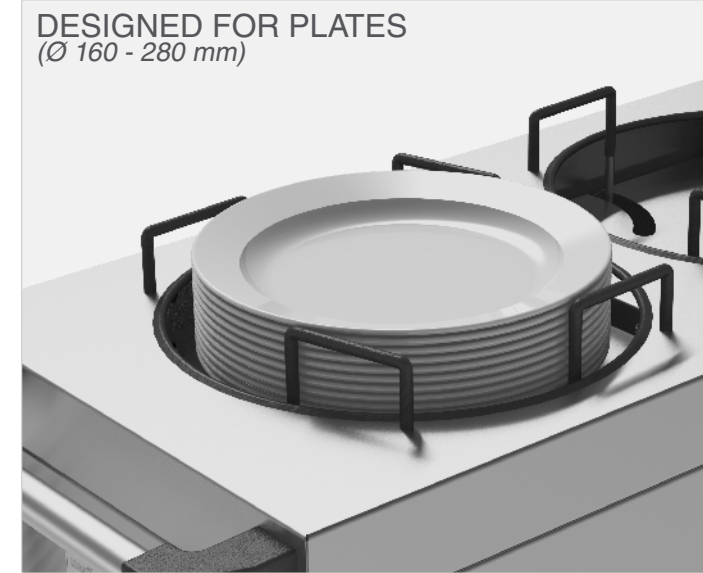
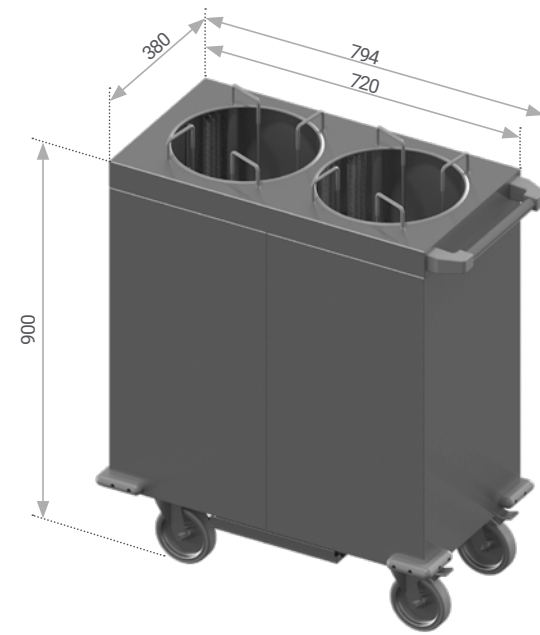


Ergonomic stainless steel handle

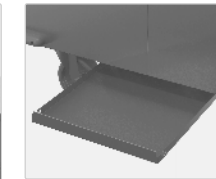
*Information icon* Different dimensions and configurations are available on request. Examples on page 8.46.

Model	Price, €	Dimensions of tray, mm	Amount of trays	Max load, kg
VTTD1-45/50/90	612	430 x 330	100	50

**STANDARD FEATURES**



DESIGNED FOR PLATES  
(Ø 160 - 280 mm)



Waste tray



Self adjustable to weight of the plates



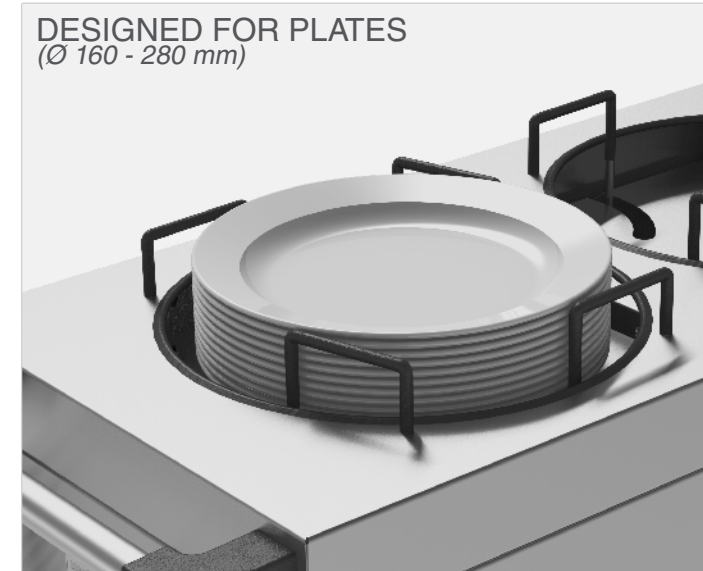
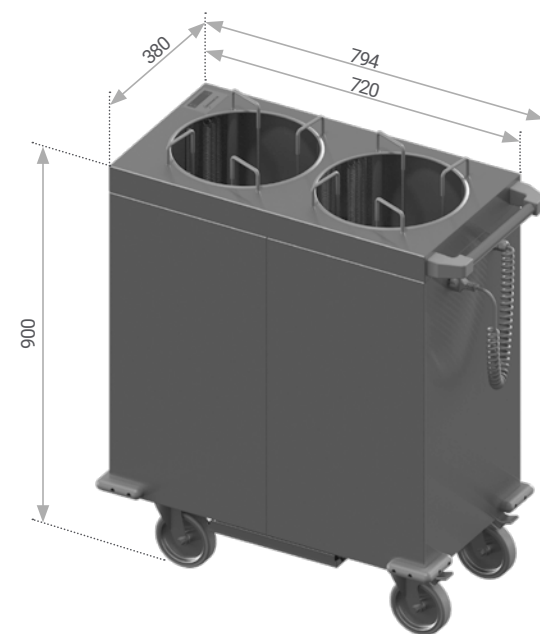
Set of galvanized wheels Ø125 mm (4 pcs),  
2 pcs with brakes, plastic protecting bumpers

*Information icon* Different dimensions and configurations are available on request. Examples on page 8.46.

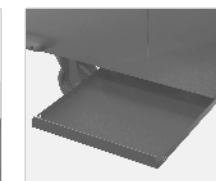
Model	Price, €	Diameter of plates, mm	Amount of plates	Max load, kg
VTLD2-38/72/90	754	160 - 280	2 x 55	2 x 35

HEATED DISPENSER TROLLEY FOR PLATES

**STANDARD FEATURES**



DESIGNED FOR PLATES  
(Ø 160 - 280 mm)



Waste tray



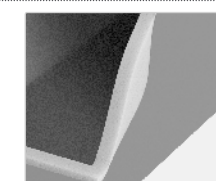
Self adjustable to weight of the plates



Set of galvanized wheels Ø125 mm (4 pcs),  
2 pcs with brakes, plastic protecting bumpers



Easy-to-clean digital controller with adjustable temperature (+30 ... +85 °C)



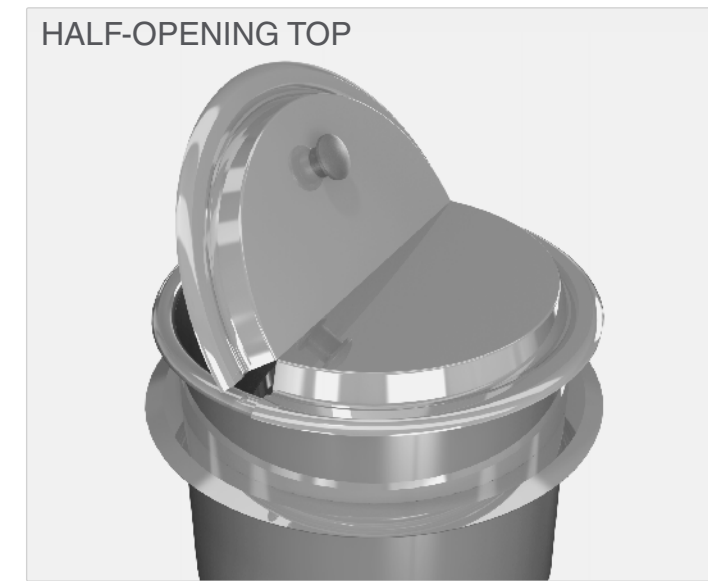
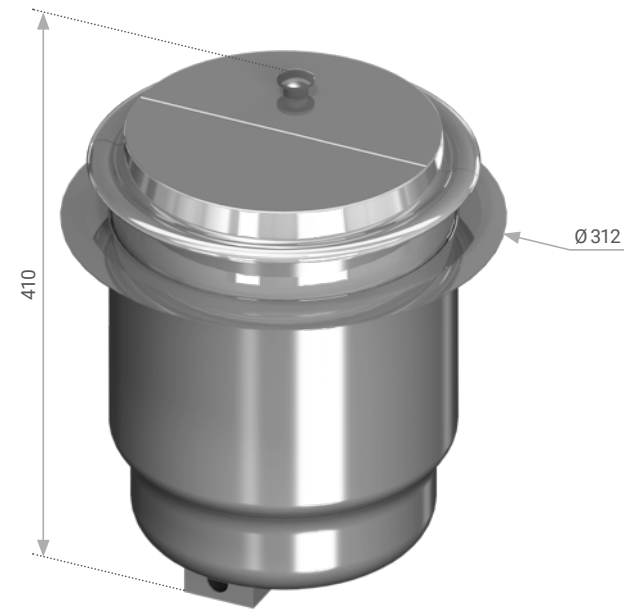
Double-wall construction with thermal insulation

*Information icon* Different dimensions and configurations are available on request. Examples on page 8.46.



Model	Price, €	Diameter of plates, mm	Amount of plates	Max load, kg	Temperature, °C	Input	Power
VTLW2-38/72/90	942	160 - 280	2 x 55	2 x 35	+30 ... +85	8,7 A	2000 W

STANDARD FEATURES



Remote control and removable well

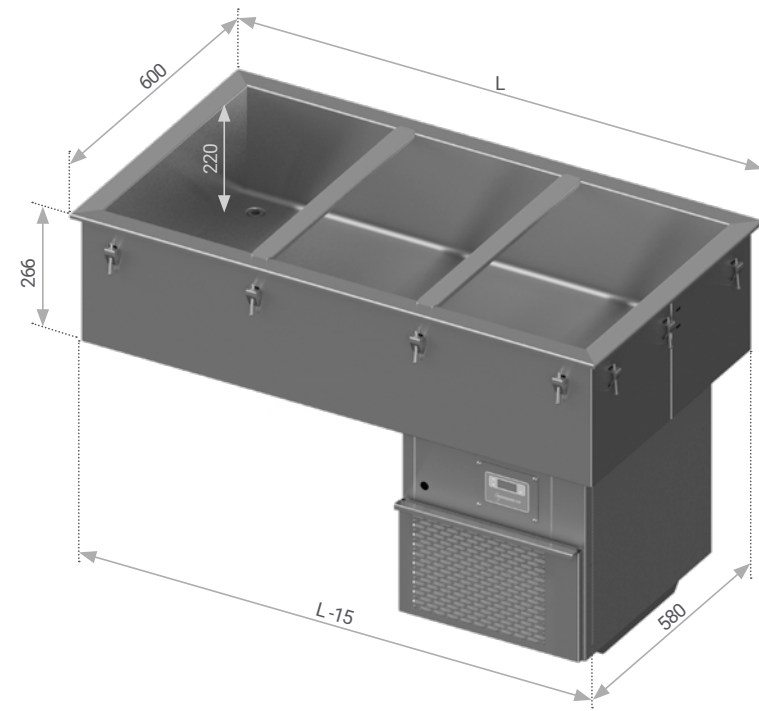


Adjustable temperature

*i* Different dimensions and configurations are available on request. Examples on page 8.46.



Model	Price, €	Height (mm)	Diameter (mm)	Cut out Ø (mm)	Capacity (l)	Input	Power
K-ETS	982	410	312	280	10	1,5 A	350 W



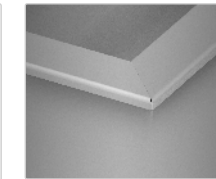
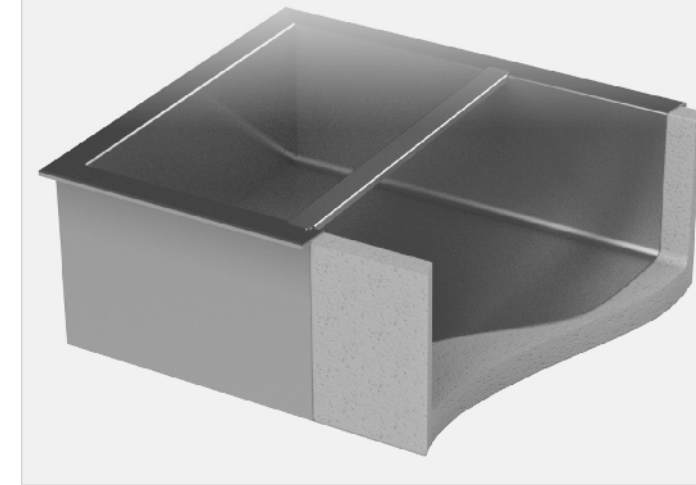
*i* Different dimensions and configurations are available on request. Examples on page 8.46.



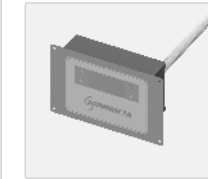
Length L, mm	Model	Price, €	Cut out (mm)	Basin dimension	Temperature, °C	Input	Power
395	UCG1-40/60/56	1438	380 x 580	1 GN1/1	+2 ... +8	1,6 A	360 W
740	UCG2-74/60/56	1644	725 x 580	2 GN1/1	+2 ... +8	1,6 A	360 W
1080	UCG3-108/60/56	1848	1065 x 580	3 GN1/1	+2 ... +8	2,3 A	530 W
1425	UCG4-143/60/56	2080	1410 x 580	4 GN1/1	+2 ... +8	2,6 A	590 W

**STANDARD FEATURES**

**EFFICIENT THERMAL INSULATION CONSTRUCTION**



DROP-IN (easily fits on table top)

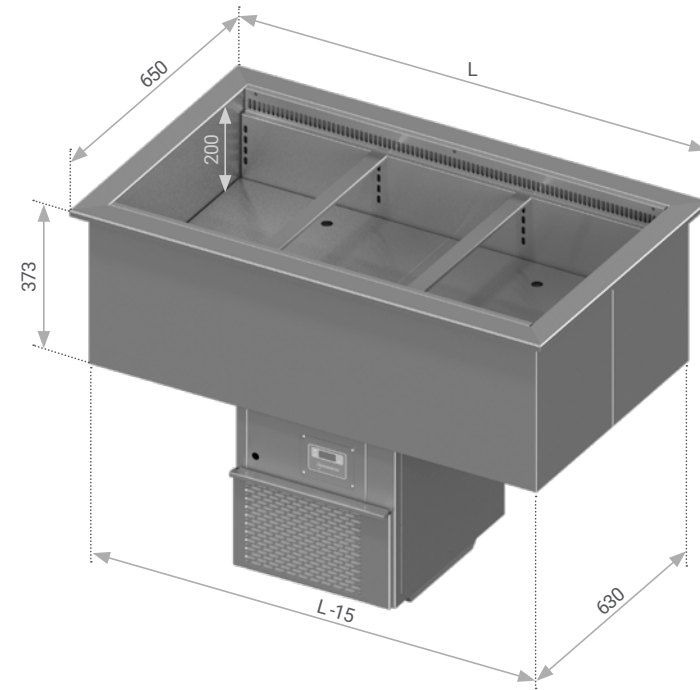


Remote control  
Easy-to-clean digital controller with adjustable temperature (+2 ... +8 °C)



Drain valve (internal thread G1/2)

NEW



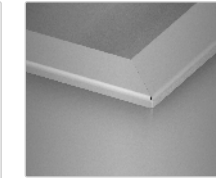
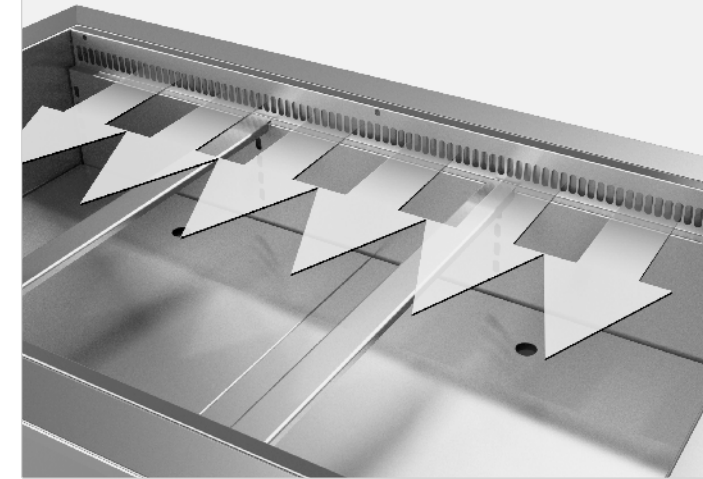
*Information icon* Different dimensions and configurations are available on request. Examples on page 8.46.



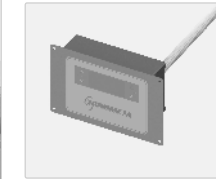
Length L, mm	Model	Price, €	Cut out (mm)	Basin dimension	Temperature, °C	Input	Power
495	UCGV1-50/65/37	2120	480 x 630	1 GN1/1	+2 ... +8	1,5 A	341 W
740	UCGV2-74/65/37	2280	725 x 630	2 GN1/1	+2 ... +8	2,9 A	663 W
1080	UCGV3-108/65/37	2488	1065 x 630	3 GN1/1	+2 ... +8	3,7 A	854 W

**STANDARD FEATURES**

EFFECTIVE AIR DISTRIBUTION SYSTEM FOR UNIFORMITY OF TEMPERATURE

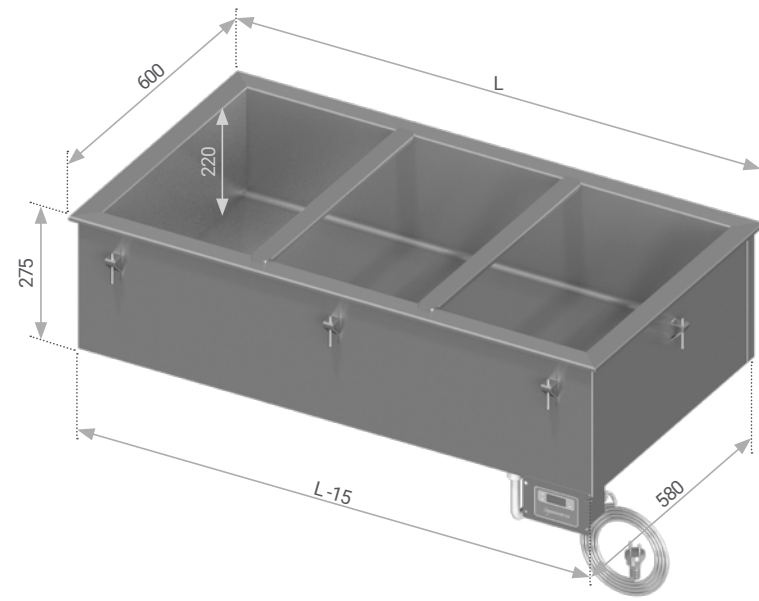


DROP-IN (easily fits on table top)



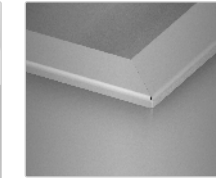
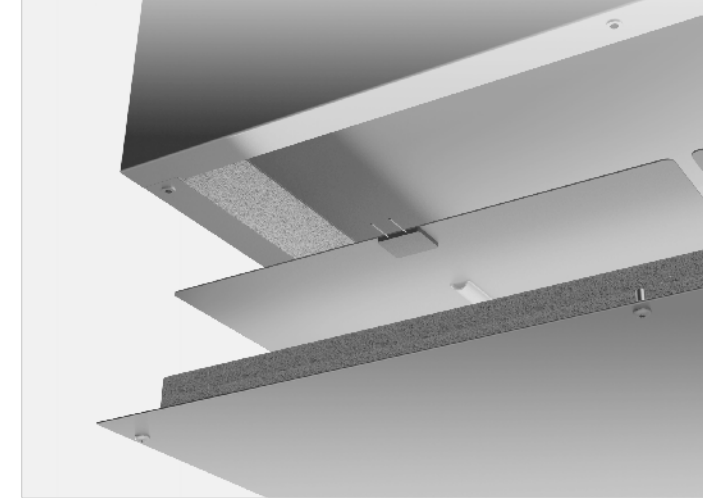
Remote control  
Easy-to-clean digital controller with adjustable temperature (+2 ... +8 °C)



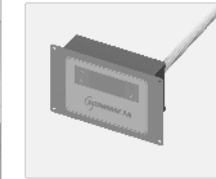


**STANDARD FEATURES**

EASY SERVICE AND EFFICIENT THERMAL INSULATION CONSTRUCTION



DROP-IN (easily fits on table top)



Remote control  
Easy-to-clean digital controller with adjustable temperature (+30 ... +85 °C)



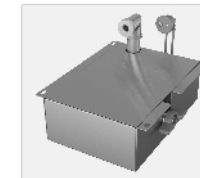
Drain valve (internal thread G1/2)

*Information icon* Different dimensions and configurations are available on request. Examples on page 8.46.



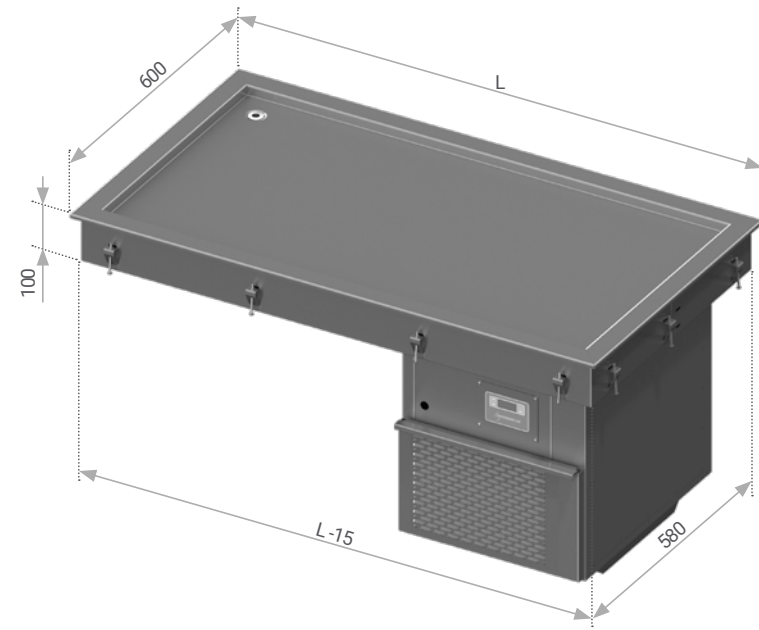
Length L, mm	Model	Price, €	Cut out (mm)	Basin dimension	Temperature, °C	Input	Power
395	UWM1-40/60/28	890	380 x 580	1 GN1/1	+30 ... +85	3,3 A	750 W
740	UWM2-74/60/28	1015	725 x 580	2 GN1/1	+30 ... +85	6,5 A	1500 W
1080	UWM3-108/60/28	1125	1065 x 580	3 GN1/1	+30 ... +85	9,8 A	2250 W
1425	UWM4-143/60/28	1240	1410 x 580	4 GN1/1	+30 ... +85	13 A	3000 W

**OPTIONAL FEATURES**



**Automatic water supply**

Code: Z-UWM-SUPPLY  
Price: Ask for price



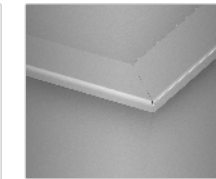
*Information icon* Different dimensions and configurations are available on request. Examples on page 8.46.



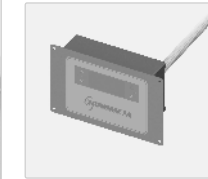
Length L, mm	Model	Price, €	Cut out (mm)	Surface dimension	Temperature, °C	Input	Power
395	UCP1-40/60/37	1351	380 x 580	1 GN1/1	-5	1,6 A	360 W
740	UCP2-74/60/37	1545	725 x 580	2 GN1/1	-5	1,6 A	360 W
1080	UCP3-108/60/37	1737	1065 x 580	3 GN1/1	-5	2,3 A	530 W
1425	UCP4-143/60/37	1955	1410 x 580	4 GN1/1	-5	2,6 A	590 W
1765	UCP5-177/60/37	2548	1750 x 580	5 GN1/1	-5	2,6 A	590 W
2105	UCP6-210/60/37	2742	2090 x 580	6 GN1/1	-5	3,1 A	661 W

**STANDARD FEATURES**

EFFICIENT COOLING SYSTEM, FROSTED SURFACE WITH TEMPERATURE -5 °C



DROP-IN (easily fits on table top)

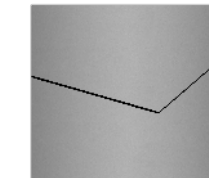


Remote control  
Easy-to-clean digital controller with adjustable temperature (down to -5 °C)



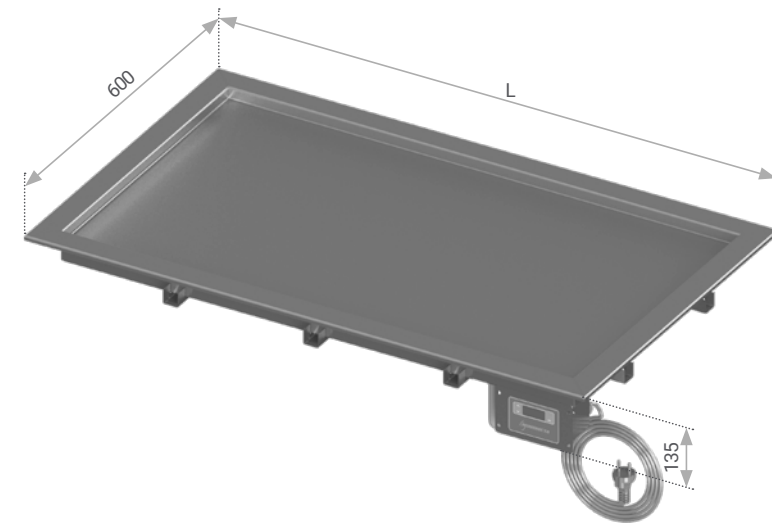
Drain valve (internal thread G1/2)

**OPTIONAL FEATURES**

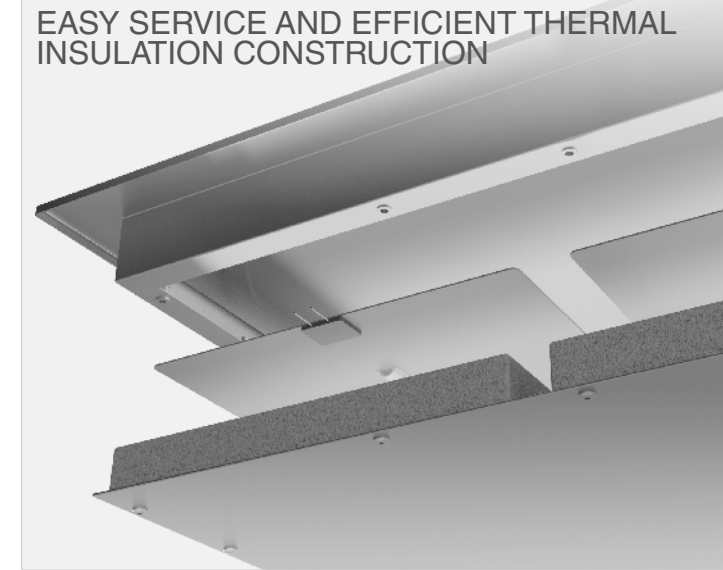


**BUILT-IN (flush with the table top)**

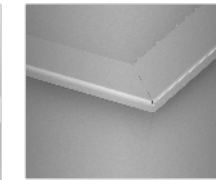
Code: Z-UCP-FLUSH  
Price: Ask for price



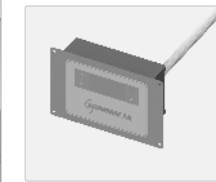
**STANDARD FEATURES**



EASY SERVICE AND EFFICIENT THERMAL INSULATION CONSTRUCTION



DROP-IN (easily fits on table top)



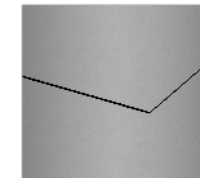
Remote control  
Easy-to-clean digital controller with adjustable temperature (+30 ... +85 °C)

*Information icon* Different dimensions and configurations are available on request. Examples on page 8.46.



Length L, mm	Model	Price, €	Cut out (mm)	Temperature, °C	Input	Power
400	UWP1-40/60/14	504	320 x 520	+30 ... +85	3,3 A	750 W
500	UWP1-50/60/14	562	420 x 520	+30 ... +85	3,3 A	750 W
600	UWP1-60/60/14	620	520 x 520	+30 ... +85	3,3 A	750 W
700	UWP1-70/60/14	678	620 x 520	+30 ... +85	6,5 A	1500 W
800	UWP1-80/60/14	736	720 x 520	+30 ... +85	6,5 A	1500 W
900	UWP1-90/60/14	794	820 x 520	+30 ... +85	6,5 A	1500 W
1000	UWP1-100/60/14	868	920 x 520	+30 ... +85	9,8 A	2250 W
1100	UWP1-110/60/14	885	1020 x 520	+30 ... +85	9,8 A	2250 W
1200	UWP1-120/60/14	902	1120 x 520	+30 ... +85	9,8 A	2250 W
1300	UWP1-130/60/14	1113	1220 x 520	+30 ... +85	13 A	3000 W
1400	UWP1-140/60/14	1130	1320 x 520	+30 ... +85	13 A	3000 W
1500	UWP1-150/60/14	1147	1420 x 520	+30 ... +85	13 A	3000 W

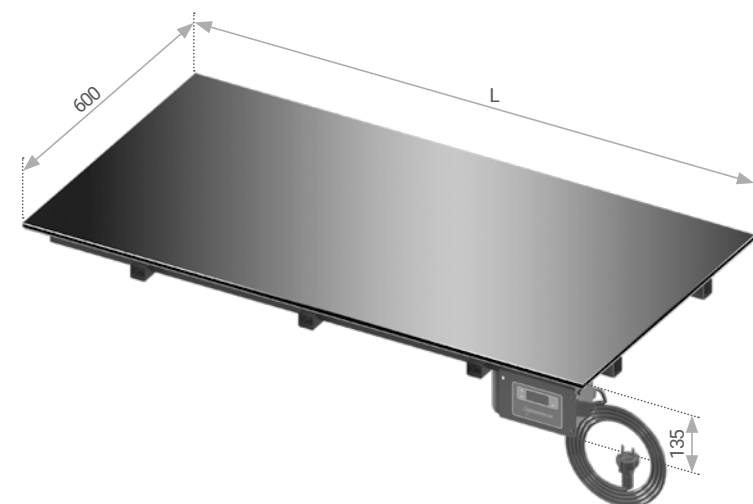
**OPTIONAL FEATURES**



**BUILT-IN (flush with the table top)**

Code: Z-UWP-FLUSH  
Price: Ask for price

**NEW**

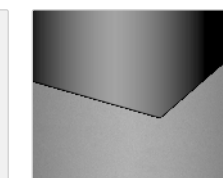
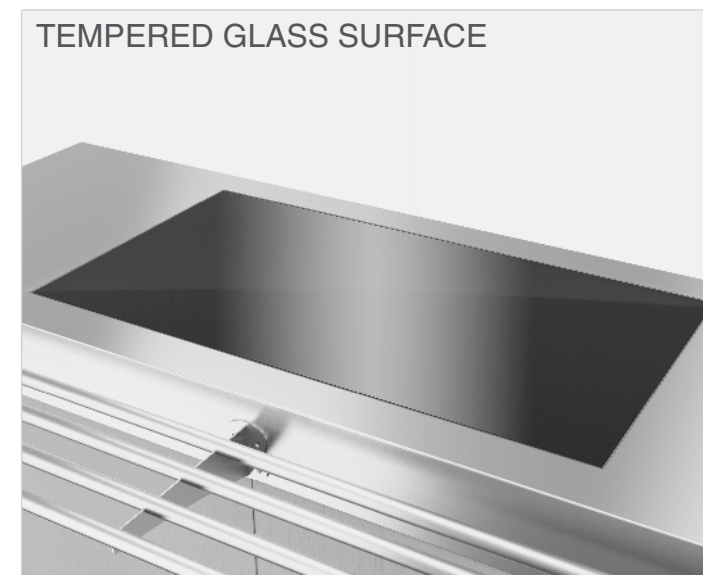


*Information icon* Different dimensions and configurations are available on request. Examples on page 8.46.

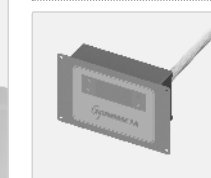


Length L, mm	Model	Price, €	Temperature, °C	Input	Power
400	Z-UWPS1-40/60/14	442	+30 ... +85	3,3 A	750 W
500	Z-UWPS1-50/60/14	456	+30 ... +85	3,3 A	750 W
600	Z-UWPS1-60/60/14	471	+30 ... +85	3,3 A	750 W
700	Z-UWPS1-70/60/14	665	+30 ... +85	6,5 A	1500 W
800	Z-UWPS1-80/60/14	680	+30 ... +85	6,5 A	1500 W
900	Z-UWPS1-90/60/14	694	+30 ... +85	6,5 A	1500 W
1000	Z-UWPS1-100/60/14	895	+30 ... +85	9,8 A	2250 W
1100	Z-UWPS1-110/60/14	910	+30 ... +85	9,8 A	2250 W
1200	Z-UWPS1-120/60/14	924	+30 ... +85	9,8 A	2250 W
1300	Z-UWPS1-130/60/14	1132	+30 ... +85	13 A	3000 W
1400	Z-UWPS1-140/60/14	1145	+30 ... +85	13 A	3000 W
1500	Z-UWPS1-150/60/14	1159	+30 ... +85	13 A	3000 W

**STANDARD FEATURES**

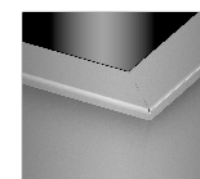


BUILT-IN (flush with the table top)

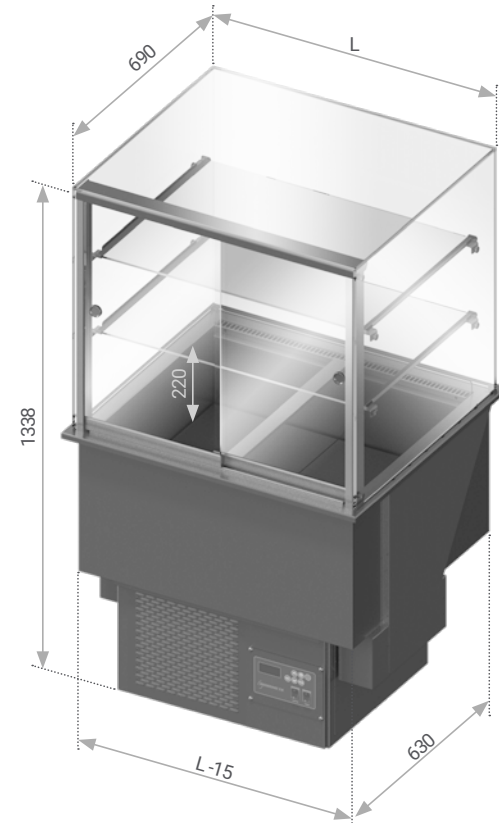


Remote control  
Easy-to-clean digital controller with adjustable temperature (+30 ... +85 °C)

**OPTIONAL FEATURES**



**DROP-IN (stainless steel frame)**  
Code: Z-UWPS-FRAME  
Price: Ask for price



*Information icon* Different dimensions and configurations are available on request. Examples on page 8.46.

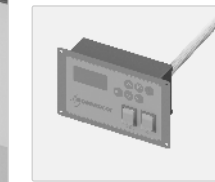
Length L, mm	Model	Price, €	Cut out (mm)	Basin dimension	Temperature, °C	Input	Power
775	UCV2-78/69/134	3193	760 x 630	2 GN1/1	+2 ... +8	2,9 A	663 W
1115	UCV3-112/69/134	3336	1110 x 630	3 GN1/1	+2 ... +8	3,7 A	854 W



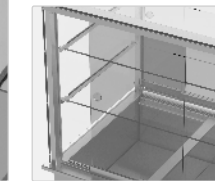
**STANDARD FEATURES**



LED lighting



Remote control (adjustable temperature +2 ... +8 °C)



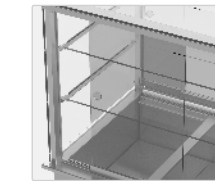
Sliding doors on kitchen side

**OPTIONAL FEATURES**



**Front doors**

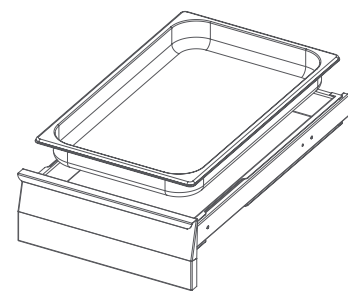
Code: UCV-21.00 SB  
Price: +5%



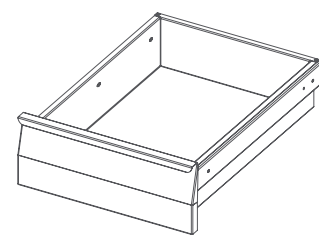
**Sliding doors on both sides**

Code: UCV-22.00 SB  
Price: +9%

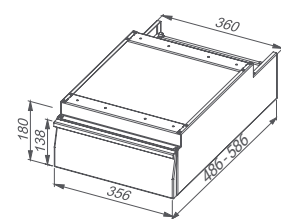
**DRAWERS**



Y-SGN (for GN 1/1, containers are not included)



Y-STP (plain)

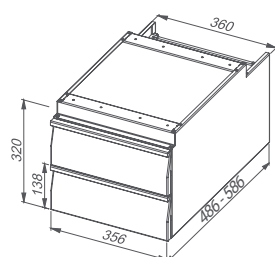


**Single drawer:**  
plain/frame for GN 1/1 container

Code: Y-STP1/Y-SGN1  
Price: 169 €

**Single drawer with closed back:**  
plain/frame for GN 1/1 container

Code: Y-STPU1/Y-SGNU1  
Price: 202 €

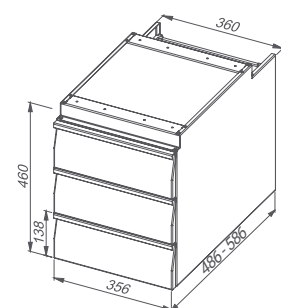


**Double drawer block:**  
plain/frame for GN 1/1 container

Code: Y-STP2/Y-SGN2  
Price: 285 €

**Double drawer block with closed back:**  
plain/frame for GN 1/1 container

Code: Y-STPU2/Y-SGNU2  
Price: 318 €

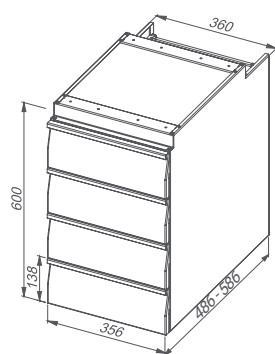


**Triple drawer block:**  
plain/frame for GN 1/1 container

Code: Y-STP3/Y-SGN3  
Price: 402 €

**Triple drawer block with closed back:**  
plain/frame for GN 1/1 container

Code: Y-STPU3/Y-SGNU3  
Price: 435 €



**Quadruple drawer block:**  
plain/frame for GN 1/1 container

Code: Y-STP4/Y-SGN4  
Price: 518 €

**Quadruple drawer block with closed back:**  
plain/frame for GN 1/1 container

Code: Y-STPU4/Y-SGNU4  
Price: 551 €

**STANDARD COLOUR LAMINATE - FORMICA**



F2255 Polar White    K1040 Alpino    F2296 Sno White    F7938 Glacier    F7927 Folkestone    K1097 Citadel

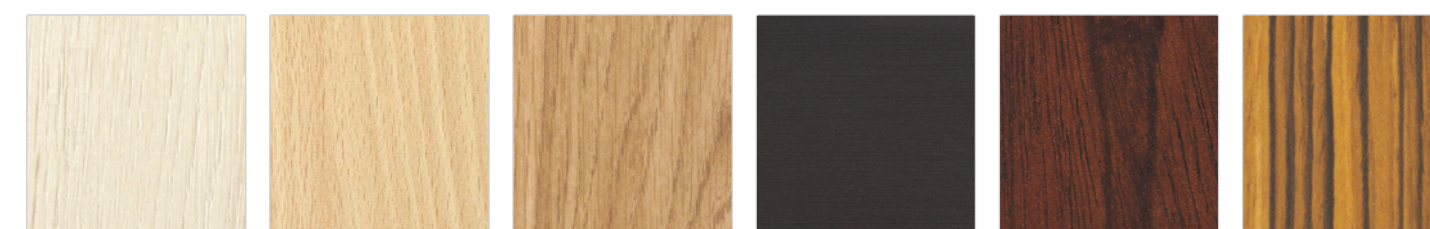


F7928 Mouse    F7912 Storm    F2297 Terril    F2253 Diamond Black    F7845 Spectrum Red    K1394 Tahiti

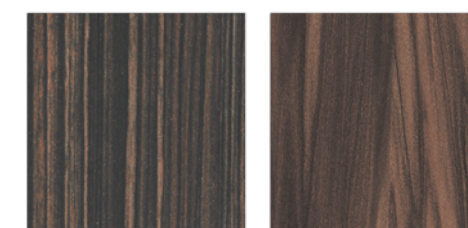


F6907 Amarena    K3210 Levante    F7913 Indian Smoke    F7433 Marina

**NON STANDARD WOOD LAMINATE - FORMICA**



F3188 Almond Oak    F2726 Natural Beech    F5374 Elegant Oak    F1614 Punga Wood    F7008 Acajou Mahogany    F9011 Zebrano



F9012 Ebony    F6210 Couture Wood

Other colours are also available

## **i** NOVAMETA STANDARD TERMS

### **Applicability**

These Standard Terms ("Terms") apply to all products supplied directly by Novameta to its distributors.

### **Validity of quotations**

Quotations are valid for 90 days unless otherwise explicitly stated in the individual quotation. Not responsible for misprints.

### **Delivery terms**

Provided in the proforma invoice.

In case of ex-works (INCOTERMS 2010) Novameta shall not be liable for delays and the distributor shall not be permitted to terminate the purchase due to delays unless agreed to in writing.

### **Payment terms**

Provided in the proforma invoice.

If a higher credit limit is necessary, security is mandatory. Novameta may reduce a credit limit at any time if considered appropriate by Novameta.

### **Storage terms**

Provided in the proforma invoice.

### **Retention of Title**

Novameta shall retain title in all products and components sold to the distributor until the distributor has paid for the products in full (including transportation and packaging costs).

### **Warranty terms**

Novameta provides a Manufacturer's warranty for all of the equipment against defects in materials and workmanship for a period of 1 year from the date of invoicing of the defective product or component to the distributor. Manufacturer undertakes to replace all inferior parts to proper quality parts or materials. In case of a fault, a properly filled claim is required and must contain all essential information relative to the fault. Faulty parts shall be returned to Manufacturer for further inspection.

### **Extended warranty**

The extended warranty is solely applicable to certain equipment (indicated in the price list). The extended warranty costs extra of the item's list price. Standard warranty terms apply.

### **Warranty exclusions and limitations of liability**

The warranty in these Terms shall be the distributor's exclusive remedy for defective products and components towards Novameta. Novameta shall not be liable for any costs, expenses, losses or claims (whether direct, indirect, consequential or otherwise) relating to defective products or components unless otherwise explicitly stated herein or agreed in writing. Any expenses in connection with the installation or costs of making adjustments (including service procedures, travel time costs) on the equipment to comply with the supply at the point of installation are not covered by this warranty.

The producer does not take any responsibility for damages that occur due to ignorance of cautions, improper maintenance or mechanical damages of the unit, including those, caused during the delivery. This warranty is not effective if damage occurs from improper installation, misuse; incorrect voltage supply, wear and tear from normal usage, accidental breakage, damage or if the equipment is operated contrary to the user instructions. The warranty does not cover if the damage occurs due to natural disasters; fire, if repair service was made by unauthorized person.

In case of a failure not covered by the warranty, we provide a possibility to purchase spare parts.

## **i** NOVAMETA STANDARD TERMS

### **Procedure for repair or replacement under the warranty**

The distributor shall, at its own costs, make all reasonable attempts to repair any defective component or product.

If such repair is not possible for the distributor, the distributor shall contact Novameta in writing immediately (within 3 working days) upon suspicion of any defects that may be covered by the warranty. If Novameta is not contacted immediately (within 3 working days) in such cases, the distributor shall have no remedies.

Distributor's contact shall include specific information as to the suspected defect the relevant order number and a copy of the relevant invoice.

After timely receipt of the above, Novameta will decide if there is a defect, whether the claim is covered by the warranty, and whether the product or component is to be replaced.

In cases where Novameta decides to replace defective products or components with new ones, the distributor will be billed the full amount for the goods when they are sent. This amount will then be credited when the defective product or components is returned to Novameta and it is established that the defective product or component is covered by the warranty.

With regard to the transport of products and components, Novameta will pay the freight of new or repaired products and components, while the distributor will pay the freight for defective goods that are returned (and any other costs related to the return of the goods). The warranty does not cover expenses of the service procedures performed. Novameta does not provide service.

Unless otherwise agreed in writing, the defective product or component should always be returned to Novameta: Draugystės g. 15D, LT-51227 Kaunas, Lithuania.

### **Cancellations**

If an order cancellation request is made after confirmation of drawing and proforma invoice, adjustments are not possible and production cannot be stopped. In case of cancellation product will be charged in full.

### **Shipping and packing**

Novameta will pack products for shipment in Novameta standard packaging. If the distributor has other requirements as to packing, the distributor shall contact Novameta to make special arrangements.

### **Delivery recommendations**

Upon receipt, inspect units immediately for any shipping damage and notify carrier immediately if damage is found. It must be reported immediately (upon delivery) in writing in the CMR. Otherwise neither the Manufacturer nor the carrier can take responsibility for transport damage. All items are thoroughly inspected and carefully packed before leaving our factory, thus Novameta cannot accept responsibility for any shipping damage, however Novameta will assist in filing a claim.

### **Liability and Product liability**

Novameta shall only be liable for defects and product liability to the extent set out herein (see particularly warranty terms). In addition to the aforesaid all liability is capped at the invoiced price of the defective product. All other liability is hereby excluded.

### **Choice of law and Venue**

These Terms and the cooperation between Novameta and its distributors, including any disputes relating thereto, shall be governed by Lithuanian law.

Any disputes shall be settled before the Lithuanian courts, which shall have exclusive jurisdiction.

Company No. 235886490, VAT Reg. No. LT 358864917

Reg. No. 048959, Centre of Registers

IBAN: LT227300010071982293, Swedbank, AB

**REFERENCES**

**COMPANY CANTEENS**

- Booking.com Headquarters*  
Amsterdam, Netherlands
- Novo Nordisk Pharmaceutical Company*  
Bagsvaerd, Denmark
- Google Office*  
Copenhagen, Denmark
- Michael Kors Distribution Centre*  
Venlo, Netherlands
- Samsung Electronics Benelux Office*  
Amsterdam, Netherlands
- Nordea Bank Headquarters*  
Oslo, Norway
- ING Bank Office*  
Amsterdam, Netherlands
- Rabobank Bank*  
Eindhoven, Netherlands
- KLM Catering Services Office*  
Amsterdam, Netherlands

**EDUCATIONAL INSTITUTIONS**

- University of Wolverhampton*  
Wolverhampton, United Kingdom
- Copenhagen International School*  
Copenhagen, Denmark
- Farmen Barnehage Kindergarten*  
Levanger, Norway

**HOTELS**

- Ramada Resort Hadera Beach Hotel*  
Hadera, Israel
- Hilton Slussen Hotel*  
Stockholm, Sweden
- Kempinski Hotel Cathedral Square*  
Vilnius, Lithuania
- Thon Hotel Chain*  
Norway
- Tallink City Hotel*  
Tallinn, Estonia

**LEISURE AND LARGE VENUES**

- Royal Theatre Carre*  
Amsterdam, Netherlands
- LEGOLAND Amusement Park*  
Billund, Denmark
- The Well Spa Centre*  
Oslo, Norway



**REFERENCES**

**RESTAURANTS AND BARS**

- TGI Fridays Bar & Restaurant*  
Sweden
- Chateau Motel Nightclub*  
Copenhagen, Denmark
- Happy Italy Restaurants*  
Netherlands
- Milu Bar & Restaurant*  
The Hague, Netherlands
- Easy Wine Bar*  
Riga, Latvia
- Flammen Restaurants*  
Denmark
- Bierhuis Restaurant*  
Uppsala, Sweden
- Hotcha Restaurant*  
Liverpool, United Kingdom

**GOVERNMENT & PUBLIC SERVICES**

- Ministry of Economic Affairs*  
The Hague, Netherlands
- Embassy of Hungary*  
Stockholm, Sweden
- Statsfængslet Nordfalster Prison*  
Nordfalster, Denmark

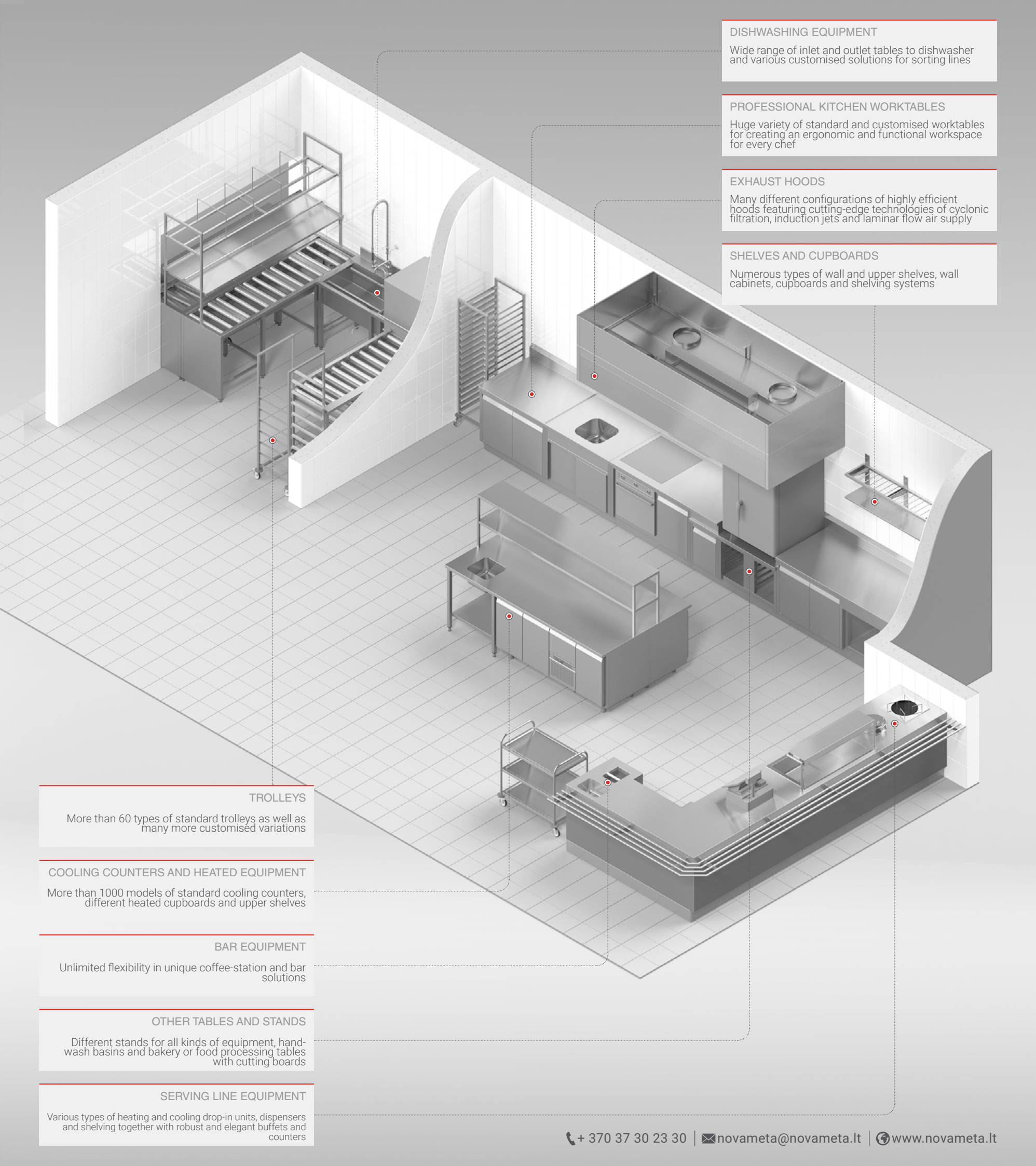
**HEALTHCARE**

- Mare Klinikum Medical Diagnostic Centre*  
Kiel, Germany
- Wexham Park Hospital*  
Slough, United Kingdom
- Zaans Medical Centre*  
Zaandam, Netherlands
- Rikshospitalet Hospital*  
Oslo, Norway
- Syrenparken Psychiatric Hospital*  
Børkop, Denmark

**SHOPS AND SUPERMARKETS**

- ICA Supermarkets*  
Sweden
- IKEA Stores*  
Netherlands; Lithuania
- Coop Supermarkets*  
Norway
- Hema Supermarkets*  
Netherlands





#### DISHWASHING EQUIPMENT

Wide range of inlet and outlet tables to dishwasher and various customised solutions for sorting lines

#### PROFESSIONAL KITCHEN WORKTABLES

Huge variety of standard and customised worktables for creating an ergonomic and functional workspace for every chef

#### EXHAUST HOODS

Many different configurations of highly efficient hoods featuring cutting-edge technologies of cyclonic filtration, induction jets and laminar flow air supply

#### SHELVES AND CUPBOARDS

Numerous types of wall and upper shelves, wall cabinets, cupboards and shelving systems

#### TROLLEYS

More than 60 types of standard trolleys as well as many more customised variations

#### COOLING COUNTERS AND HEATED EQUIPMENT

More than 1000 models of standard cooling counters, different heated cupboards and upper shelves

#### BAR EQUIPMENT

Unlimited flexibility in unique coffee-station and bar solutions

#### OTHER TABLES AND STANDS

Different stands for all kinds of equipment, hand-wash basins and bakery or food processing tables with cutting boards

#### SERVING LINE EQUIPMENT

Various types of heating and cooling drop-in units, dispensers and shelving together with robust and elegant buffets and counters