

TESTED AND DEVELOPED IN COOPERATION WITH



PRICE LIST 2017

1. PROFESSIONAL KITCHEN WORKTABLES
2. OTHER TABLES AND STANDS
3. DISHWASHING EQUIPMENT
4. SHELVES AND CUPBOARDS
5. TROLLEYS
- 6. EXHAUST HOODS**
7. BAR EQUIPMENT
8. SERVING LINE EQUIPMENT
9. COOLING COUNTERS AND HEATED EQUIPMENT
10. MODULAR TABLES

YOUR RELIABLE PARTNER

Novameta is the largest and most advanced manufacturer of stainless steel commercial kitchen equipment in Baltic and Scandinavian countries. Extensive 16-year experience, attention to details along with an innovative mindset are the key factors which have enabled **Novameta** to establish trust in 18 markets throughout Europe.

A wide range of hot, cold and neutral standard equipment, precisely engineered and crafted non-standard products combined with a short, typically 2-4 week lead time is what makes us stand out of the crowd. What is more, our experienced team is all set to provide professional support and technical advice, enabling our clients to turn their ideas to tailor made turnkey solutions.

All of our products are marketed through a professional network of distributors throughout Europe. We are proud to provide an all-round assistance to our dealers, helping them to excel in the things they do best - planning, taking care of supply, installation and service to fulfil the needs of catering, bakery and retail industries.

Our main objectives are to maintain solid positions in Europe through sustaining partnership relationships with our clients, whilst at the same time expanding into new markets worldwide. Experienced and ambitious sales team, application of up-to-date 3D CAD software in our in-house design department, employment of latest production technologies and LEAN quality management based on ISO 9001:2000 standard, have determined the rapid expansion of our sales markets and therefore the consequent quick growth of the company.

Currently, over 165 employees work in the enterprise and the production area covers 5000 m². **Novameta** manufactures over 180 different items every day, more than 1000 projects yearly!



Novameta
 Draugystės g. 15D, LT-51227 Kaunas, Lithuania
 +370 37 30 23 30
 novameta@novameta.lt
 www.novameta.lt

Novameta UK
 1210 Parkview, Arlington Business Park, Theale, Reading, Berkshire RG7 4TY, UK
 +44 118 965 4098
 +44 791 874 0027
 sales@novameta.co.uk
 www.novameta.co.uk

© 2017 **Novameta**. All rights reserved.
Novameta respects the intellectual property rights of others and expects its clients and the users of its services to do the same.
 All information in this publication is property of **Novameta** and you do not have right to disclose it to any third party without permission.
Technical specifications and prices are subject to change.

CONTENTS

OVERVIEW OF EXHAUST HOODS

WALL CANOPY HOODS

ISLAND HOODS

HEAT AND CONDENSATE HOODS

AIR SUPPLY UNITS

TECHNICAL INFORMATION

HIGH EFFICIENCY CYCLONIC FILTERS

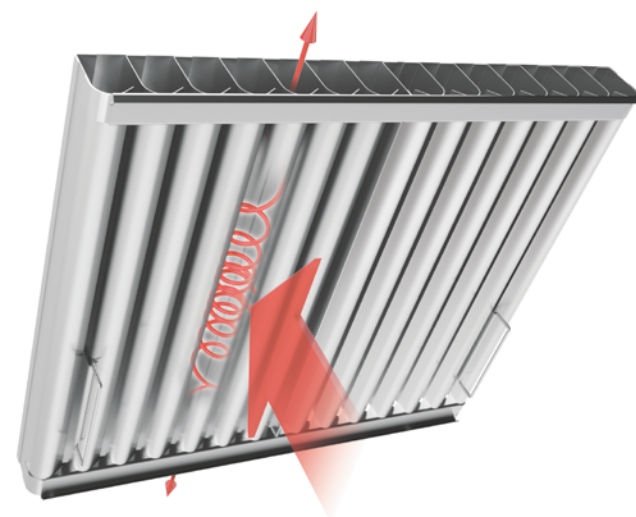
CYCLONIC WORKING PRINCIPLE

Novameta cyclonic filters exploit centrifugal force to extract grease particles with efficiency of up to 95%. When grease-laden air enters **Novameta** cyclonic filter, it is forced to transform its path into a series of cyclones. The grease particles in the rotating streams have too much inertia to follow a cyclonic curve of the stream. As a result, the particles strike inner walls of filter channels and permanently stick to it.

VALIDATED HIGH EFFICIENCY

Comparative study has been carried out at Kaunas University of Technology, where **Novameta** cyclonic and industry standard baffle (labyrinth) filters have been tested. It has been found, that **Novameta** cyclonic filters are over two times more effective than the common baffle (labyrinth) filters at the same exhaust air flow rate!

High extraction efficiency results in more hygienic kitchen environment, reduced fire risks and translates into direct savings to the customer by requiring less frequent duct and exhaust fan cleaning and maintenance.



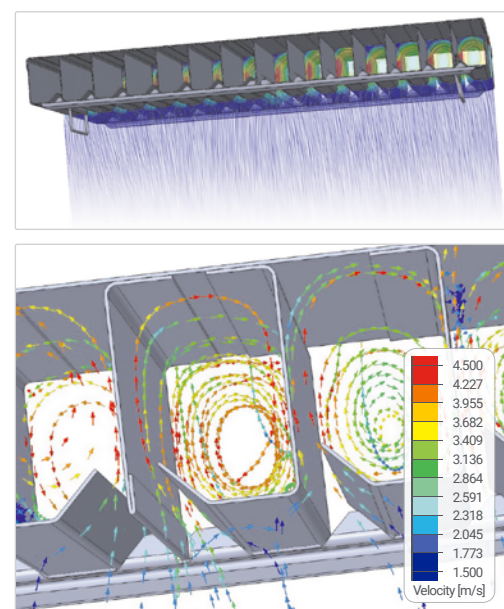
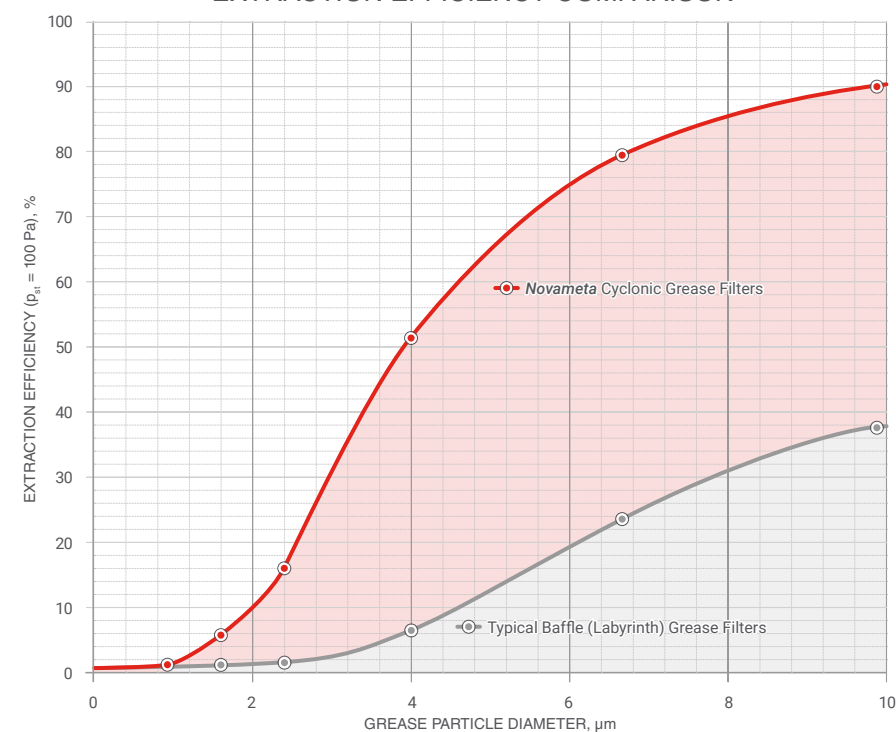
FLAME-PROOF DESIGN

The design of **Novameta** filters reduces fire hazard and ensures that highest fire-safety standards are met. The filter has a fully closed backside, which works as a barrier to stop flame penetrating into the hood plenum and the ductwork. Thanks to inclined position of the filters inside the hood, flammable grease does not accumulate inside the filter – gravity causes grease particles drip down to the grease collection trough. **Novameta** cyclonic filters are completely made of 0,8-1,0 mm AISI 304 steel and designed to be washed in any commercial dishwasher.

TECHNICAL CHARACTERISTICS FROM KTU AND FORCE TECHNOLOGY

Novameta filters, as well as hoods, have been developed and tested using the cutting edge CFD (Computational Fluid Dynamics) analysis. CFD analysis is being applied to the design and optimization of Formula 1 cars, space shuttle R&D and in numerous of other advanced mechanical and industrial engineering applications. The CFD tests along with a number of experimental investigations at Kaunas University of Technology (Lithuania) and laboratories of FORCE TECHNOLOGY (Denmark) have been made in order to determine the characteristics and behaviour of **Novameta** exhaust hoods. **Novameta** hoods are provided with recommended air flow rates and full pressure drop characteristics required to select the most appropriate exhaust fan for the kitchen ventilation system, as well as to conveniently set-up the exhaust hood according to the required exhaust flow rate.

EXTRACTION EFFICIENCY COMPARISON



TESTED AND DEVELOPED IN COOPERATION WITH



FEATURE OVERVIEW

AIR JET SYSTEM INCREASES CAPTURE EFFICIENCY

Exhaust hoods with integrated air jet system contribute to substantial energy savings of the kitchen ventilation system. The system takes advantage of the induction effect which considerably increases capture and containment efficiency of the hood. In other words – by supplying around 7% of required exhaust flow rate to the air jet system, it allows to have the exhaust flow rates as much as 20% lower and maintain the same capture and containment efficiency.

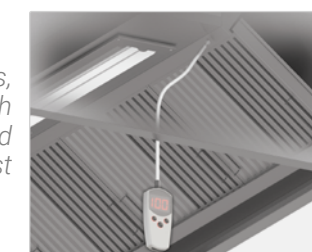
The air jet system helps to increase the efficiency by introducing conditioned or unconditioned air through a series of nozzles located at the opposite side of the filter bank. The jets induce multiple low velocity air streams towards the filters and provide a dual effect: firstly, it stabilizes the rising thermal plume by forming a vortex within the hood and propels it towards the filters. Secondly, the jets create an air „curtain”, which helps to confine the hot plume inside the hood chamber and minimizes the chances of escaping before it gets exhausted. The induction air jet system is recommended by German VDI 2052 regulation.

AIR SUPPLY SYSTEM CONTRIBUTES TO INCREASING KITCHEN COMFORT

The air supply system allows to introduce fresh make-up air to the most critical space in the kitchen – next to the cooking equipment. The feature increases comfort levels for the staff, since the fresh air is supplied directly to the most occupied zone with the highest heat loads in the kitchen. The air is supplied through a large perforated panel at low velocity, which allows to avoid drafts, minimize mixing and ensure that the capture and containment efficiency of the exhaust hood is not compromised.

PRESSURE PORTS FOR EASY ADJUSTMENT AND BALANCING

Novameta exhaust hoods come with full technical specifications – pressure drop characteristics, k-factors and recommended air flow rates. Each hood is supplied with pressure ports, which allow to determine the actual exhaust and supply air flow rates by using a simple manometer and referring to pressure drop characteristics. The feature allows to easily adjust and balance exhaust hoods according to the calculated exhaust and supply flow rates.



INTEGRATED LED LUMINAIRES PROVIDE ENERGY SAVINGS

The ultimate choice for illumination is recessed LED luminaires which offer energy savings of up to 60%! The luminaires smoothly blend into the design of each hood and provide a pleasant and uniform warm white colour light. The recessed lighting fixture is easy to clean, heat resistant and IP65 rated. The Philips LED modules used in luminaires are designed for high operating hours and offer up to 50,000 h lifetime.



NOVAMETA HOODS AT A GLANCE

- All canopy and island hoods come equipped with **Novameta** cyclonic filters, which are up to 95% efficient. Filters are made exclusively from AISI 304 stainless steel, at least 0,8 mm thick
- All **Novameta** exhaust hoods come with full technical and pressure drop characteristics!
- Flexible lengths and widths – available in 10 mm increments!
- Longer hoods can be built in any length by assembling multiple modules
- Material flexibility – standard hoods are made of AISI 304, however, an economy version is also available in AISI 430
- Lighting options – exhaust hoods may be equipped with external fluorescent or energy efficient recessed LED luminaires. All luminaires are IP65 rated
- Flexible exhaust and supply collar installation – the diameter, position and the collar quantity may be adjusted. Exhaust hoods may come without collars on request
- Finished back of wall canopy hoods – when cooking equipment is installed in the middle of a kitchen, hoods can be designed to have an aesthetic finishing on all 4 sides upon request
- Optional exhaust hood covers – hood matching covering panels are available to cover the top of the hood for aesthetic looks
- Optional dampers – allows to balance exhaust airflow between multiple ducts or hoods on a single duct line
- Air jet and air supply systems are available
- Custom exhaust hoods are available. Each non-standard solution comes with detailed 3D drawings!

2 STEPS TO SELECT AN EXHAUST HOOD

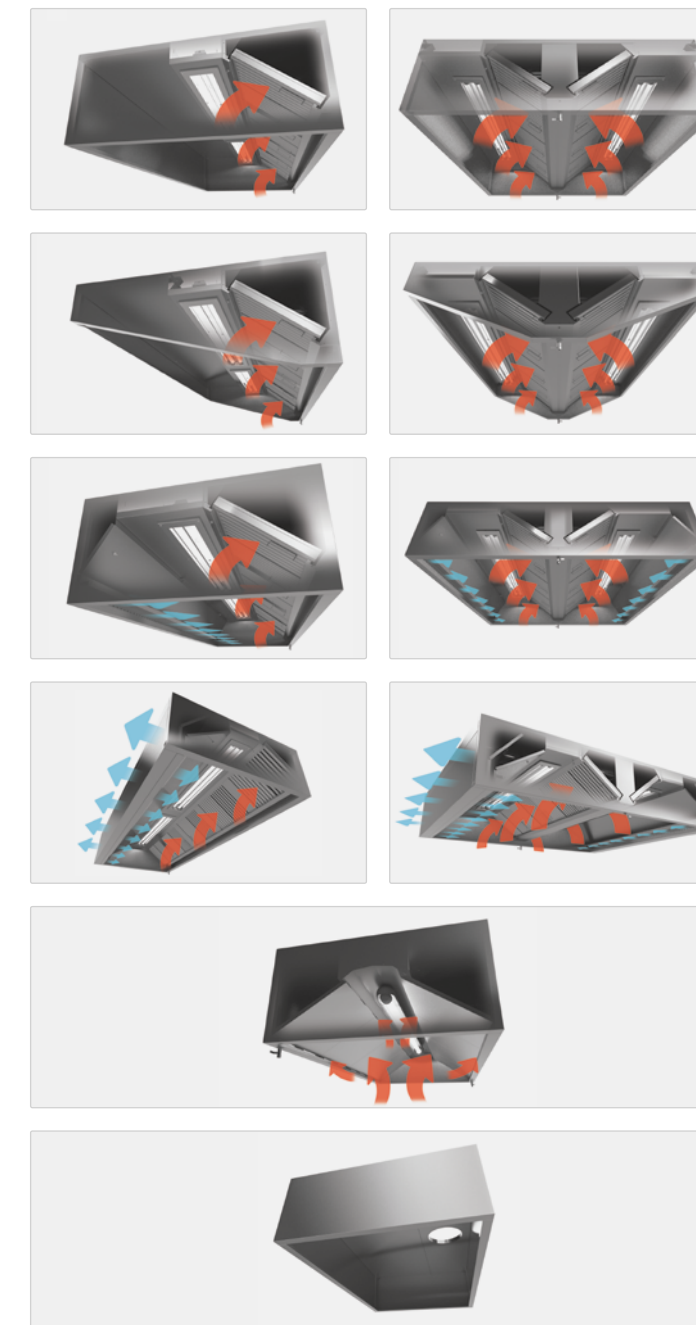
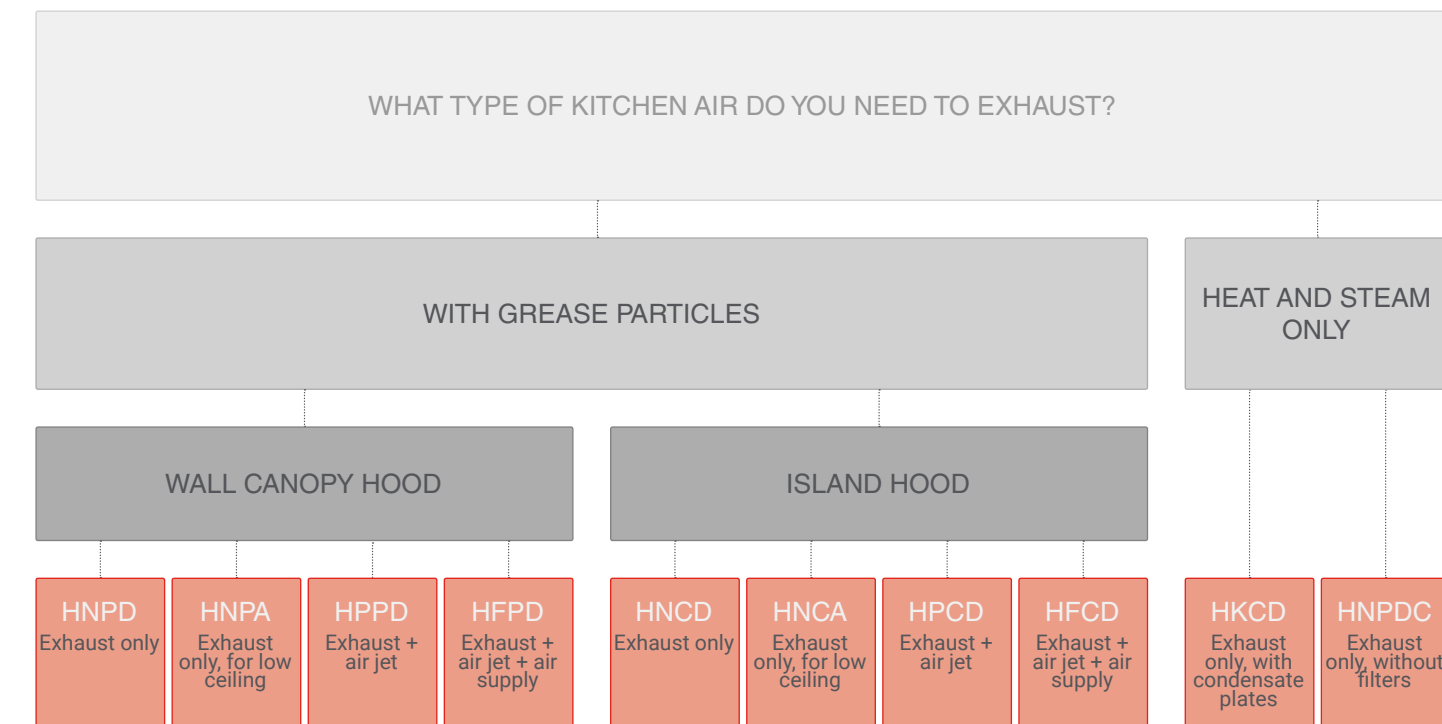
STEP 1. DETERMINE TYPE OF THE HOOD

Kitchen appliances generate two different types of contaminated air, which needs to be exhausted from a kitchen: air with grease particles (generated by cooking equipment) or heat and steam only (generated by dishwashers, certain oven types).

For exhausting air with grease particles, there are two basic types of exhaust hoods – wall canopy hoods and island hoods. Wall type hoods are used when cooking appliances are arranged along a wall and island type hoods are used over cooking equipment which is installed in the middle of a kitchen, where no wall exists.

For exhausting heat or steam, **Novameta** offers two types of hoods – heat and condensate hood with condensate plates - HKCD, or heat and fume hood without filters - HNPDC. For dishwashing areas, HKCD hoods with condensate plates are recommended. The condensing plates direct the airflow along their surface and enlarge the condensing area. This feature helps the hood to efficiently capture high amounts of steam and vapour.

The flowchart below helps to select the most suitable exhaust hood for your application.



Exhaust only – HNPDC, HNCD

The hoods are equipped with **Novameta** high efficiency cyclonic filters. Large hood volume allows to have a perfect balance between the price and capture and containment performance. It is the most common type of a hood and is available with a large number of optional features.

Exhaust only, for low ceiling – HNPA, HNCA

The special tapered shape of these hoods allows them to be installed in kitchens with low ceiling. Typically, these hoods are installed in snack bars, cafeterias, etc., where cooking loads are moderate.

Exhaust with air jet – HPPD, HPCD

Air jet system allows to increase the capture and containment efficiency of the hood. The air jets provide a dual effect: they stabilize and propel the rising thermal plume towards the filter bank and also help to confine effluents inside the hood volume.

Exhaust with air jet and air supply – HFPD, HFCD

The top-of-the-line exhaust hoods boast with increased capture and containment efficiency and an air supply feature, which allows to introduce fresh air directly under the exhaust hood and help to establish comfortable working environment.

Exhaust only, with condensate plates – HKCD

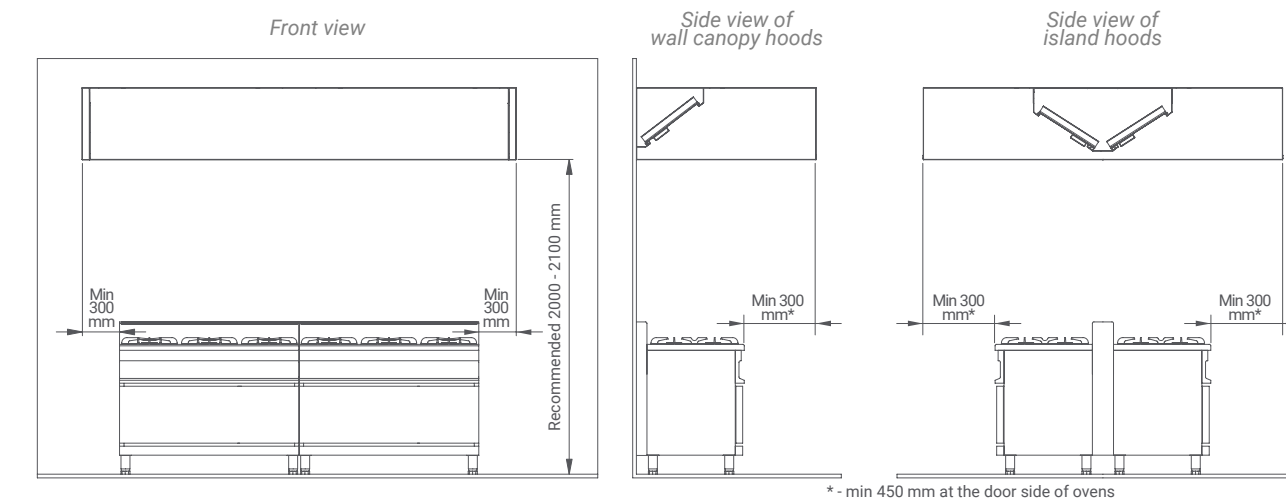
It is the ultimate choice for dishwashing areas. Instead of filters, this exhaust hood is equipped with condensate plates, which effectively capture steam and turn it into liquid. This helps to dramatically reduce the humidity levels in the ventilation system.

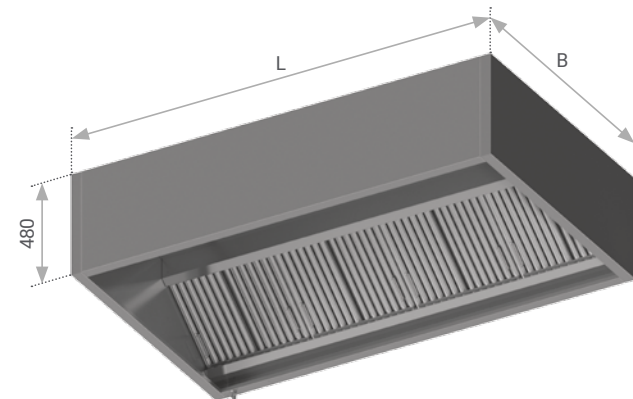
Exhaust only, without filters – HNPDC

The hood is designed to extract heat and fumes only. It does not have filters or condensing plates, thus it is not recommended for kitchen environments with excessive amounts of grease particles and steam.

STEP 2. DETERMINE SIZE OF THE HOOD

The size of the hood should be determined according to the drawing below. In order to ensure that the hood is capable to effectively capture and contain the rising heat, steam and effluents, the hood must extend over kitchen appliances at least 300 mm on each side. If the appliance has doors, then the extension is recommended to be at least 450 mm at the side of the door.





Different dimensions and configurations are available on request. Examples on page 6.50. Technical characteristics are provided on pages 6.36 - 6.45



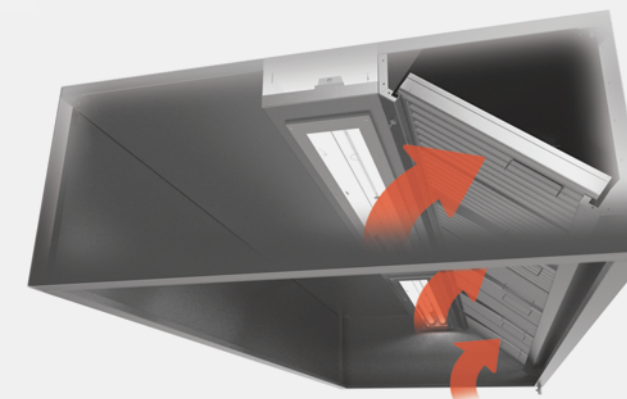
Length L, mm	Width B, mm						Exhaust collar Ø, mm	Number of grease filters	Maximum exhaust airflow rate, m³/h
	800		900		1000				
	Model	Price, €	Model	Price, €	Model	Price, €			
800	HNP-80/80/48	584	HNP-80/90/48	597	HNP-80/100/48	611	315	1	675
900	HNP-90/80/48	602	HNP-90/90/48	615	HNP-90/100/48	628	315	1	675
1000	HNP-100/80/48	619	HNP-100/90/48	632	HNP-100/100/48	646	315	2	1350
1100	HNP-110/80/48	637	HNP-110/90/48	650	HNP-110/100/48	663	315	2	1350
1200	HNP-120/80/48	651	HNP-120/90/48	665	HNP-120/100/48	680	315	2	1350
1300	HNP-130/80/48	666	HNP-130/90/48	682	HNP-130/100/48	697	315	2	1350
1400	HNP-140/80/48	678	HNP-140/90/48	694	HNP-140/100/48	711	315	2	1350
1500	HNP-150/80/48	780	HNP-150/90/48	796	HNP-150/100/48	813	315	3	2025
1600	HNP-160/80/48	798	HNP-160/90/48	816	HNP-160/100/48	833	315	3	2025
1700	HNP-170/80/48	813	HNP-170/90/48	830	HNP-170/100/48	848	315	3	2025
1800	HNP-180/80/48	833	HNP-180/90/48	851	HNP-180/100/48	868	315	3	2025
1900	HNP-190/80/48	845	HNP-190/90/48	863	HNP-190/100/48	882	315	3	2025
2000	HNP-200/80/48	941	HNP-200/90/48	961	HNP-200/100/48	981	2x315	4	2700
2100	HNP-210/80/48	956	HNP-210/90/48	976	HNP-210/100/48	997	2x315	4	2700
2200	HNP-220/80/48	971	HNP-220/90/48	993	HNP-220/100/48	1015	2x315	4	2700
2300	HNP-230/80/48	989	HNP-230/90/48	1010	HNP-230/100/48	1032	2x315	4	2700
2400	HNP-240/80/48	1000	HNP-240/90/48	1023	HNP-240/100/48	1045	2x315	4	2700
2500	HNP-250/80/48	1103	HNP-250/90/48	1127	HNP-250/100/48	1151	2x315	5	3375
2600	HNP-260/80/48	1122	HNP-260/90/48	1146	HNP-260/100/48	1171	2x315	5	3375
2700	HNP-270/80/48	1136	HNP-270/90/48	1161	HNP-270/100/48	1186	2x315	5	3375
2800	HNP-280/80/48	1157	HNP-280/90/48	1181	HNP-280/100/48	1206	2x315	5	3375
2900	HNP-290/80/48	1168	HNP-290/90/48	1194	HNP-290/100/48	1220	2x315	5	3375

Length L, mm	Width B, mm				Exhaust collar Ø, mm	Number of grease filters	Maximum exhaust airflow rate, m³/h
	1100		1200				
	Model	Price, €	Model	Price, €			
800	HNP-80/110/48	624	HNP-80/120/48	634	315	1	675
900	HNP-90/110/48	642	HNP-90/120/48	653	315	1	675
1000	HNP-100/110/48	659	HNP-100/120/48	672	315	2	1350
1100	HNP-110/110/48	677	HNP-110/120/48	690	315	2	1350
1200	HNP-120/110/48	694	HNP-120/120/48	709	315	2	1350
1300	HNP-130/110/48	713	HNP-130/120/48	727	315	2	1350
1400	HNP-140/110/48	727	HNP-140/120/48	743	315	2	1350
1500	HNP-150/110/48	829	HNP-150/120/48	846	315	3	2025
1600	HNP-160/110/48	851	HNP-160/120/48	867	315	3	2025
1700	HNP-170/110/48	865	HNP-170/120/48	883	315	3	2025
1800	HNP-180/110/48	886	HNP-180/120/48	904	315	3	2025
1900	HNP-190/110/48	900	HNP-190/120/48	920	315	3	2025
2000	HNP-200/110/48	1000	HNP-200/120/48	1020	2x315	4	2700
2100	HNP-210/110/48	1018	HNP-210/120/48	1038	2x315	4	2700
2200	HNP-220/110/48	1036	HNP-220/120/48	1057	2x315	4	2700
2300	HNP-230/110/48	1054	HNP-230/120/48	1075	2x315	4	2700
2400	HNP-240/110/48	1068	HNP-240/120/48	1091	2x315	4	2700
2500	HNP-250/110/48	1174	HNP-250/120/48	1197	2x315	5	3375
2600	HNP-260/110/48	1196	HNP-260/120/48	1220	2x315	5	3375
2700	HNP-270/110/48	1210	HNP-270/120/48	1235	2x315	5	3375
2800	HNP-280/110/48	1231	HNP-280/120/48	1257	2x315	5	3375
2900	HNP-290/110/48	1245	HNP-290/120/48	1272	2x315	5	3375

3000 mm and longer hoods are assembled from 2 hoods

STANDARD FEATURES

HYGIENIC AND EFFICIENT DESIGN



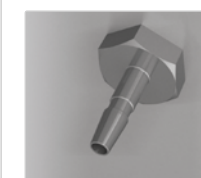
Luminaires are optional



High efficiency cyclonic grease filters 500 x 430 mm



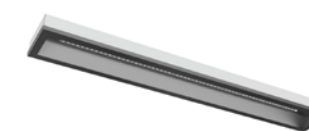
Grease outlet valve (internal thread G1/4)



Pressure port for fine-tuning extraction flow rate

LUMINAIRES

Recessed LED luminaire



Plastic fluorescent luminaire



Hood Length L, mm	Code	Price, €	Code	Price, €
L < 1400	K-ELK-610-20W	275	K-ESL-662x24x1	100
1400 ≤ L < 1700	K-ELK-1210-40W	302	K-ESL-1272x54x1	110
1700 ≤ L < 2700	K-ELK-1510-55W	350	K-ESL-1572x80x1	120
2700 ≤ L ≤ 2900	2 x K-ELK-1210-40W	395	2 x K-ESL-1272x54x1	160

OPTIONAL FEATURES



Exhaust adjustment damper

Code: Y-HO
Price: 90 €

Note: price per collar



Removable grease tray

Code: Y-HD
Price/pc: 30 €



Cover panels

Code: H00D-02.00 SB
Price/m²: 100 €



Connection for multiple hood assembly

Code: A-HNP-SD (left)
A-HNP-SK (right)
Price: 84 €



Light switch

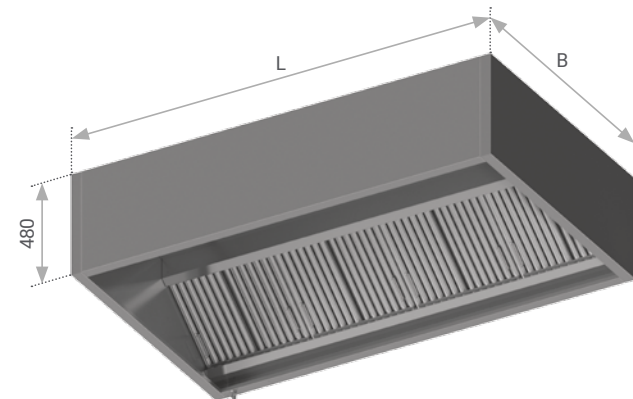
Code: A-HGJ
Price: 48 €



Integrated exhaust fan

Code: A-HGV
Price: 575 €

Note: price per fan. Fan quantity specified on page 6.45



*Different dimensions and configurations are available on request. Examples on page 6.50.
Technical characteristics are provided on pages 6.36 - 6.45*



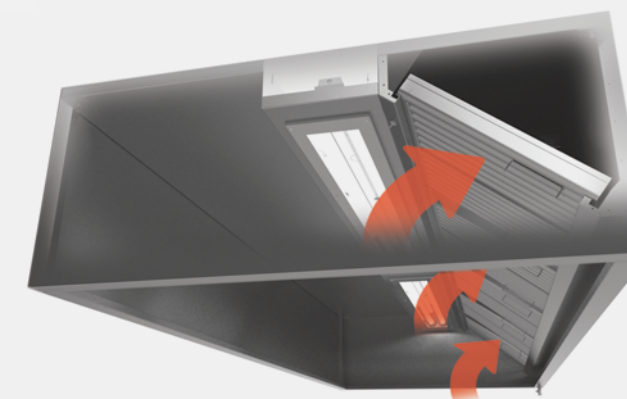
Length L, mm	Width B, mm				Exhaust collar Ø, mm	Number of grease filters	Maximum exhaust airflow rate, m³/h
	1300		1400				
	Model	Price, €	Model	Price, €			
800	HNPD-80/130/48	648	HNPD-80/140/48	658	315	1	675
900	HNPD-90/130/48	666	HNPD-90/140/48	678	315	1	675
1000	HNPD-100/130/48	685	HNPD-100/140/48	697	315	2	1350
1100	HNPD-110/130/48	703	HNPD-110/140/48	717	315	2	1350
1200	HNPD-120/130/48	723	HNPD-120/140/48	737	315	2	1350
1300	HNPD-130/130/48	743	HNPD-130/140/48	757	315	2	1350
1400	HNPD-140/130/48	758	HNPD-140/140/48	774	315	2	1350
1500	HNPD-150/130/48	862	HNPD-150/140/48	879	315	3	2025
1600	HNPD-160/130/48	885	HNPD-160/140/48	901	315	3	2025
1700	HNPD-170/130/48	900	HNPD-170/140/48	918	315	3	2025
1800	HNPD-180/130/48	923	HNPD-180/140/48	941	315	3	2025
1900	HNPD-190/130/48	938	HNPD-190/140/48	958	315	3	2025
2000	HNPD-200/130/48	1039	HNPD-200/140/48	1060	2x315	4	2700
2100	HNPD-210/130/48	1059	HNPD-210/140/48	1079	2x315	4	2700
2200	HNPD-220/130/48	1078	HNPD-220/140/48	1099	2x315	4	2700
2300	HNPD-230/130/48	1097	HNPD-230/140/48	1120	2x315	4	2700
2400	HNPD-240/130/48	1113	HNPD-240/140/48	1136	2x315	4	2700
2500	HNPD-250/130/48	1221	HNPD-250/140/48	1244	2x315	5	3375
2600	HNPD-260/130/48	1243	HNPD-260/140/48	1267	2x315	5	3375
2700	HNPD-270/130/48	1259	HNPD-270/140/48	1283	2x315	5	3375
2800	HNPD-280/130/48	1282	HNPD-280/140/48	1307	2x315	5	3375
2900	HNPD-290/130/48	1298	HNPD-290/140/48	1324	2x315	5	3375

Length L, mm	Width B, mm				Exhaust collar Ø, mm	Number of grease filters	Maximum exhaust airflow rate, m³/h
	1500		1600				
	Model	Price, €	Model	Price, €			
800	HNPD-80/150/48	670	HNPD-80/160/48	681	315	1	675
900	HNPD-90/150/48	690	HNPD-90/160/48	702	315	1	675
1000	HNPD-100/150/48	711	HNPD-100/160/48	724	315	2	1350
1100	HNPD-110/150/48	731	HNPD-110/160/48	746	315	2	1350
1200	HNPD-120/150/48	752	HNPD-120/160/48	766	315	2	1350
1300	HNPD-130/150/48	773	HNPD-130/160/48	788	315	2	1350
1400	HNPD-140/150/48	789	HNPD-140/160/48	804	315	2	1350
1500	HNPD-150/150/48	894	HNPD-150/160/48	909	315	3	2025
1600	HNPD-160/150/48	919	HNPD-160/160/48	936	315	3	2025
1700	HNPD-170/150/48	936	HNPD-170/160/48	955	315	3	2025
1800	HNPD-180/150/48	960	HNPD-180/160/48	979	315	3	2025
1900	HNPD-190/150/48	977	HNPD-190/160/48	997	315	3	2025
2000	HNPD-200/150/48	1079	HNPD-200/160/48	1099	2x315	4	2700
2100	HNPD-210/150/48	1100	HNPD-210/160/48	1121	2x315	4	2700
2200	HNPD-220/150/48	1121	HNPD-220/160/48	1142	2x315	4	2700
2300	HNPD-230/150/48	1141	HNPD-230/160/48	1163	2x315	4	2700
2400	HNPD-240/150/48	1158	HNPD-240/160/48	1179	2x315	4	2700
2500	HNPD-250/150/48	1267	HNPD-250/160/48	1290	2x315	5	3375
2600	HNPD-260/150/48	1292	HNPD-260/160/48	1316	2x315	5	3375
2700	HNPD-270/150/48	1308	HNPD-270/160/48	1333	2x315	5	3375
2800	HNPD-280/150/48	1333	HNPD-280/160/48	1359	2x315	5	3375
2900	HNPD-290/150/48	1349	HNPD-290/160/48	1375	2x315	5	3375

3000 mm and longer hoods are assembled from 2 hoods

STANDARD FEATURES

HYGIENIC AND EFFICIENT DESIGN



Luminaires are optional



High efficiency cyclonic grease filters 500 x 430 mm



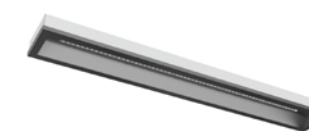
Grease outlet valve (internal thread G1/4)



Pressure port for fine-tuning extraction flow rate

LUMINAIRES

Recessed LED luminaire



Plastic fluorescent luminaire



Hood Length L, mm	Code	Price, €	Code	Price, €
L < 1400	K-ELK-610-20W	275	K-ESL-662x24x1	100
1400 ≤ L < 1700	K-ELK-1210-40W	302	K-ESL-1272x54x1	110
1700 ≤ L < 2700	K-ELK-1510-55W	350	K-ESL-1572x80x1	120
2700 ≤ L ≤ 2900	2 x K-ELK-1210-40W	395	2 x K-ESL-1272x54x1	160

OPTIONAL FEATURES



Exhaust adjustment damper

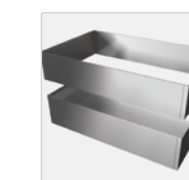
Code: Y-HO
Price: 90 €

Note: price per collar



Removable grease tray

Code: Y-HD
Price/pc: 30 €



Cover panels

Code: H00D-02.00 SB
Price/m²: 100 €



Connection for multiple hood assembly

Code: A-HNPD-SK (left)
A-HNPD-SD (right)
Price: 84 €



Light switch

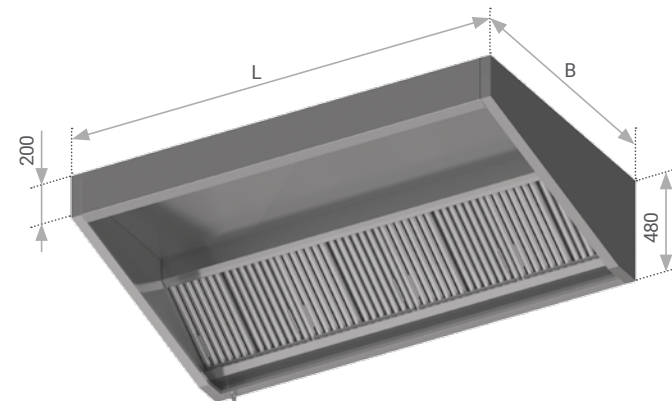
Code: A-HGJ
Price: 48 €



Integrated exhaust fan

Code: A-HGV
Price: 575 €

Note: price per fan
Fan quantity specified on page 6.45



Information icon Different dimensions and configurations are available on request. Examples on page 6.50. Technical characteristics are provided on pages 6.36 - 6.45



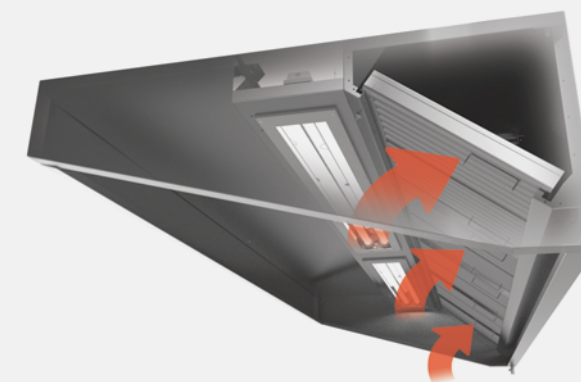
Length L, mm	Width B, mm				Exhaust collar Ø, mm	Number of grease filters	Maximum exhaust airflow rate, m³/h
	700		800				
	Model	Price, €	Model	Price, €			
700	HNPA-70/70/48	562	HNPA-70/80/48	569	315	1	675
800	HNPA-80/70/48	574	HNPA-80/80/48	582	315	1	675
900	HNPA-90/70/48	585	HNPA-90/80/48	595	315	1	675
1000	HNPA-100/70/48	596	HNPA-100/80/48	609	315	2	1350
1100	HNPA-110/70/48	610	HNPA-110/80/48	622	315	2	1350
1200	HNPA-120/70/48	622	HNPA-120/80/48	637	315	2	1350
1300	HNPA-130/70/48	636	HNPA-130/80/48	650	315	2	1350
1400	HNPA-140/70/48	645	HNPA-140/80/48	660	315	2	1350
1500	HNPA-150/70/48	740	HNPA-150/80/48	755	315	3	2025
1600	HNPA-160/70/48	755	HNPA-160/80/48	771	315	3	2025
1700	HNPA-170/70/48	765	HNPA-170/80/48	782	315	3	2025
1800	HNPA-180/70/48	782	HNPA-180/80/48	799	315	3	2025
1900	HNPA-190/70/48	791	HNPA-190/80/48	810	315	3	2025
2000	HNPA-200/70/48	882	HNPA-200/80/48	901	2x315	4	2700
2100	HNPA-210/70/48	895	HNPA-210/80/48	915	2x315	4	2700
2200	HNPA-220/70/48	908	HNPA-220/80/48	928	2x315	4	2700
2300	HNPA-230/70/48	921	HNPA-230/80/48	942	2x315	4	2700
2400	HNPA-240/70/48	931	HNPA-240/80/48	952	2x315	4	2700
2500	HNPA-250/70/48	1028	HNPA-250/80/48	1051	2x315	5	3375
2600	HNPA-260/70/48	1044	HNPA-260/80/48	1067	2x315	5	3375
2700	HNPA-270/70/48	1054	HNPA-270/80/48	1077	2x315	5	3375
2800	HNPA-280/70/48	1070	HNPA-280/80/48	1095	2x315	5	3375
2900	HNPA-290/70/48	1080	HNPA-290/80/48	1105	2x315	5	3375

Length L, mm	Width B, mm				Exhaust collar Ø, mm	Number of grease filters	Maximum exhaust airflow rate, m³/h
	900		1000				
	Model	Price, €	Model	Price, €			
700	HNPA-70/90/48	578	HNPA-70/100/48	590	315	1	675
800	HNPA-80/90/48	592	HNPA-80/100/48	605	315	1	675
900	HNPA-90/90/48	607	HNPA-90/100/48	619	315	1	675
1000	HNPA-100/90/48	621	HNPA-100/100/48	633	315	2	1350
1100	HNPA-110/90/48	636	HNPA-110/100/48	649	315	2	1350
1200	HNPA-120/90/48	650	HNPA-120/100/48	663	315	2	1350
1300	HNPA-130/90/48	664	HNPA-130/100/48	679	315	2	1350
1400	HNPA-140/90/48	675	HNPA-140/100/48	690	315	2	1350
1500	HNPA-150/90/48	770	HNPA-150/100/48	786	315	3	2025
1600	HNPA-160/90/48	788	HNPA-160/100/48	804	315	3	2025
1700	HNPA-170/90/48	799	HNPA-170/100/48	816	315	3	2025
1800	HNPA-180/90/48	817	HNPA-180/100/48	834	315	3	2025
1900	HNPA-190/90/48	828	HNPA-190/100/48	846	315	3	2025
2000	HNPA-200/90/48	920	HNPA-200/100/48	939	2x315	4	2700
2100	HNPA-210/90/48	934	HNPA-210/100/48	954	2x315	4	2700
2200	HNPA-220/90/48	949	HNPA-220/100/48	969	2x315	4	2700
2300	HNPA-230/90/48	963	HNPA-230/100/48	984	2x315	4	2700
2400	HNPA-240/90/48	973	HNPA-240/100/48	995	2x315	4	2700
2500	HNPA-250/90/48	1072	HNPA-250/100/48	1095	2x315	5	3375
2600	HNPA-260/90/48	1091	HNPA-260/100/48	1113	2x315	5	3375
2700	HNPA-270/90/48	1101	HNPA-270/100/48	1125	2x315	5	3375
2800	HNPA-280/90/48	1119	HNPA-280/100/48	1143	2x315	5	3375
2900	HNPA-290/90/48	1130	HNPA-290/100/48	1155	2x315	5	3375

3000 mm and longer hoods are assembled from 2 hoods

STANDARD FEATURES

HYGIENIC AND EFFICIENT DESIGN



Luminaires are optional



High efficiency cyclonic grease filters 500 x 430 mm



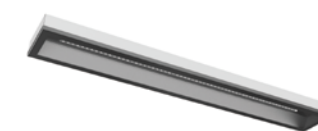
Grease outlet valve (internal thread G1/4)



Pressure port for fine-tuning extraction flow rate

LUMINAIRES

Recessed LED luminaire



Plastic fluorescent luminaire



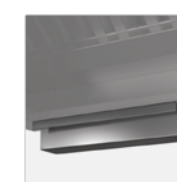
Hood Length L, mm	Code	Price, €	Code	Price, €
L < 1400	K-ELK-610-20W	275	K-ESL-662x24x1	100
1400 ≤ L < 1700	K-ELK-1210-40W	302	K-ESL-1272x54x1	110
1700 ≤ L < 2700	K-ELK-1510-55W	350	K-ESL-1572x80x1	120
2700 ≤ L ≤ 2900	2 x K-ELK-1210-40W	395	2 x K-ESL-1272x54x1	160

OPTIONAL FEATURES



Exhaust adjustment damper

Code: Y-HO
Price: 90 €
Note: price per collar



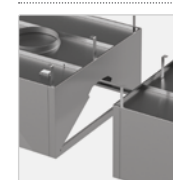
Removable grease tray

Code: Y-HD
Price/pc: 30 €



Cover panels

Code: H00D-02.00 SB
Price/m²: 100 €



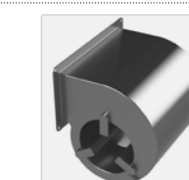
Connection for multiple hood assembly

Code: A-HNPA-SK (left)
A-HNPA-SD (right)
Price: 84 €



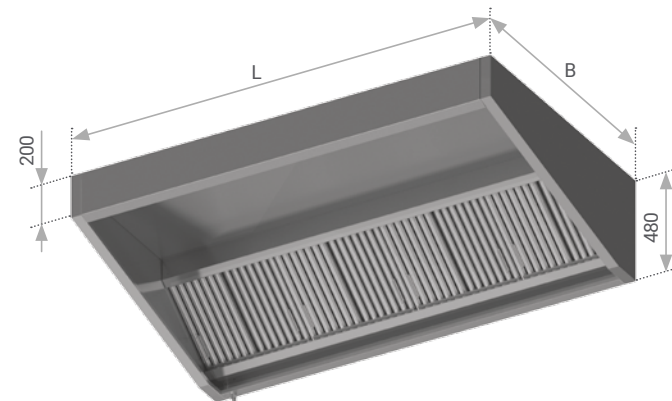
Light switch

Code: A-HGJ
Price: 48 €



Integrated exhaust fan

Code: A-HGV
Price: 575 €
Note: price per fan. Fan quantity specified on page 6.45



Different dimensions and configurations are available on request. Examples on page 6.50. Technical characteristics are provided on pages 6.36 - 6.45



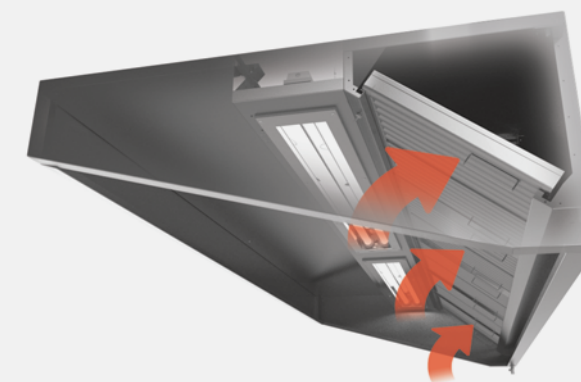
Length L, mm	Width B, mm				Exhaust collar Ø, mm	Number of grease filters	Maximum exhaust airflow rate, m³/h
	1100		1200				
	Model	Price, €	Model	Price, €			
700	HNPA-70/110/48	599	HNPA-70/120/48	609	315	1	675
800	HNPA-80/110/48	615	HNPA-80/120/48	625	315	1	675
900	HNPA-90/110/48	630	HNPA-90/120/48	642	315	1	675
1000	HNPA-100/110/48	646	HNPA-100/120/48	658	315	2	1350
1100	HNPA-110/110/48	661	HNPA-110/120/48	675	315	2	1350
1200	HNPA-120/110/48	677	HNPA-120/120/48	691	315	2	1350
1300	HNPA-130/110/48	693	HNPA-130/120/48	708	315	2	1350
1400	HNPA-140/110/48	706	HNPA-140/120/48	720	315	2	1350
1500	HNPA-150/110/48	801	HNPA-150/120/48	818	315	3	2025
1600	HNPA-160/110/48	821	HNPA-160/120/48	837	315	3	2025
1700	HNPA-170/110/48	833	HNPA-170/120/48	850	315	3	2025
1800	HNPA-180/110/48	852	HNPA-180/120/48	869	315	3	2025
1900	HNPA-190/110/48	864	HNPA-190/120/48	883	315	3	2025
2000	HNPA-200/110/48	958	HNPA-200/120/48	976	2x315	4	2700
2100	HNPA-210/110/48	973	HNPA-210/120/48	993	2x315	4	2700
2200	HNPA-220/110/48	989	HNPA-220/120/48	1009	2x315	4	2700
2300	HNPA-230/110/48	1004	HNPA-230/120/48	1026	2x315	4	2700
2400	HNPA-240/110/48	1017	HNPA-240/120/48	1038	2x315	4	2700
2500	HNPA-250/110/48	1118	HNPA-250/120/48	1139	2x315	5	3375
2600	HNPA-260/110/48	1136	HNPA-260/120/48	1159	2x315	5	3375
2700	HNPA-270/110/48	1148	HNPA-270/120/48	1172	2x315	5	3375
2800	HNPA-280/110/48	1167	HNPA-280/120/48	1192	2x315	5	3375
2900	HNPA-290/110/48	1179	HNPA-290/120/48	1204	2x315	5	3375

Length L, mm	Width B, mm				Exhaust collar Ø, mm	Number of grease filters	Maximum exhaust airflow rate, m³/h
	1300		1400				
	Model	Price, €	Model	Price, €			
700	HNPA-70/130/48	618	HNPA-70/140/48	627	315	1	675
800	HNPA-80/130/48	636	HNPA-80/140/48	646	315	1	675
900	HNPA-90/130/48	653	HNPA-90/140/48	664	315	1	675
1000	HNPA-100/130/48	671	HNPA-100/140/48	683	315	2	1350
1100	HNPA-110/130/48	688	HNPA-110/140/48	701	315	2	1350
1200	HNPA-120/130/48	706	HNPA-120/140/48	720	315	2	1350
1300	HNPA-130/130/48	722	HNPA-130/140/48	736	315	2	1350
1400	HNPA-140/130/48	734	HNPA-140/140/48	749	315	2	1350
1500	HNPA-150/130/48	834	HNPA-150/140/48	851	315	3	2025
1600	HNPA-160/130/48	854	HNPA-160/140/48	870	315	3	2025
1700	HNPA-170/130/48	866	HNPA-170/140/48	883	315	3	2025
1800	HNPA-180/130/48	887	HNPA-180/140/48	904	315	3	2025
1900	HNPA-190/130/48	901	HNPA-190/140/48	920	315	3	2025
2000	HNPA-200/130/48	995	HNPA-200/140/48	1014	2x315	4	2700
2100	HNPA-210/130/48	1012	HNPA-210/140/48	1032	2x315	4	2700
2200	HNPA-220/130/48	1030	HNPA-220/140/48	1051	2x315	4	2700
2300	HNPA-230/130/48	1048	HNPA-230/140/48	1069	2x315	4	2700
2400	HNPA-240/130/48	1060	HNPA-240/140/48	1082	2x315	4	2700
2500	HNPA-250/130/48	1161	HNPA-250/140/48	1182	2x315	5	3375
2600	HNPA-260/130/48	1181	HNPA-260/140/48	1204	2x315	5	3375
2700	HNPA-270/130/48	1196	HNPA-270/140/48	1220	2x315	5	3375
2800	HNPA-280/130/48	1216	HNPA-280/140/48	1241	2x315	5	3375
2900	HNPA-290/130/48	1229	HNPA-290/140/48	1254	2x315	5	3375

3000 mm and longer hoods are assembled from 2 hoods

STANDARD FEATURES

HYGIENIC AND EFFICIENT DESIGN



Luminaires are optional



High efficiency cyclonic grease filters 500 x 430 mm



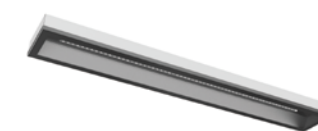
Grease outlet valve (internal thread G1/4)



Pressure port for fine-tuning extraction flow rate

LUMINAIRES

Recessed LED luminaire



Plastic fluorescent luminaire



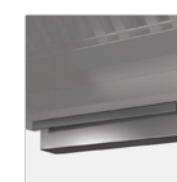
Hood Length L, mm	Code	Price, €	Code	Price, €
L < 1400	K-ELK-610-20W	275	K-ESL-662x24x1	100
1400 ≤ L < 1700	K-ELK-1210-40W	302	K-ESL-1272x54x1	110
1700 ≤ L < 2700	K-ELK-1510-55W	350	K-ESL-1572x80x1	120
2700 ≤ L ≤ 2900	2 x K-ELK-1210-40W	395	2 x K-ESL-1272x54x1	160

OPTIONAL FEATURES



Exhaust adjustment damper

Code: Y-HO
Price: 90 €
Note: price per collar



Removable grease tray

Code: Y-HD
Price/pc: 30 €



Cover panels

Code: H00D-02.00 SB
Price/m²: 100 €



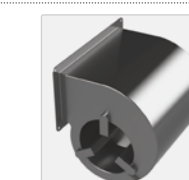
Connection for multiple hood assembly

Code: A-HNPA-SK (left)
A-HNPA-SD (right)
Price: 84 €



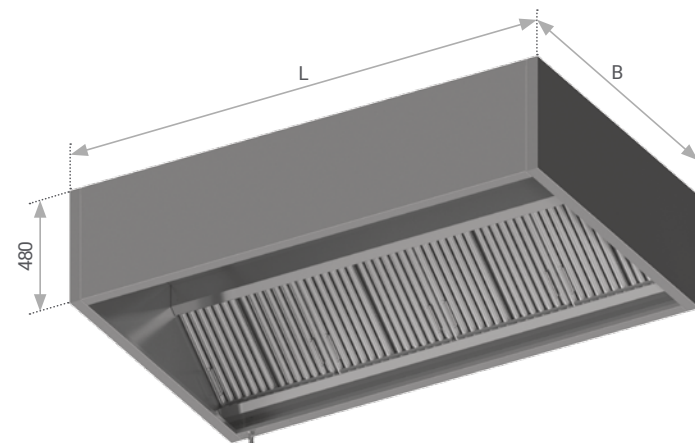
Light switch

Code: A-HGJ
Price: 48 €



Integrated exhaust fan

Code: A-HGV
Price: 575 €
Note: price per fan. Fan quantity specified on page 6.45



i Different dimensions and configurations are available on request. Examples on page 6.50.
Technical characteristics are provided on pages 6.36 - 6.45



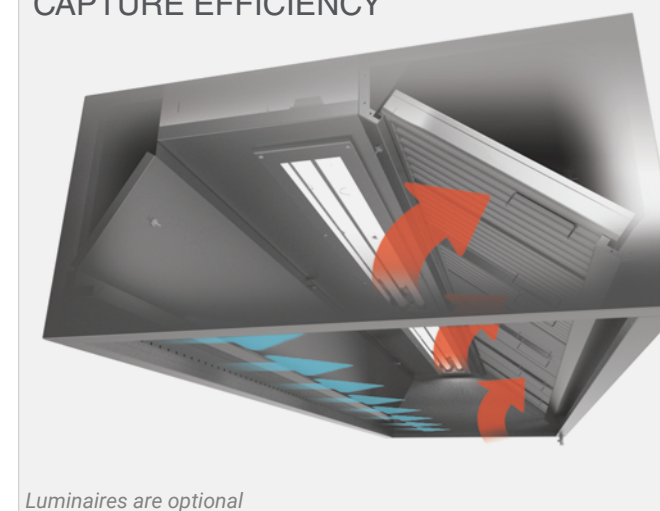
Length L, mm	Width B, mm				Exhaust collar Ø, mm	Air jet collar Ø, mm	Number of grease filters	Maximum exhaust airflow rate, m³/h
	1000		1100					
	Model	Price, €	Model	Price, €				
1000	HPPD-100/100/48	1028	HPPD-100/110/48	1040	315	125	2	1350
1100	HPPD-110/100/48	1051	HPPD-110/110/48	1063	315	125	2	1350
1200	HPPD-120/100/48	1074	HPPD-120/110/48	1087	315	125	2	1350
1300	HPPD-130/100/48	1100	HPPD-130/110/48	1114	315	125	2	1350
1400	HPPD-140/100/48	1120	HPPD-140/110/48	1134	315	125	2	1350
1500	HPPD-150/100/48	1231	HPPD-150/110/48	1246	315	125	3	2025
1600	HPPD-160/100/48	1258	HPPD-160/110/48	1273	315	125	3	2025
1700	HPPD-170/100/48	1277	HPPD-170/110/48	1293	315	125	3	2025
1800	HPPD-180/100/48	1304	HPPD-180/110/48	1320	315	125	3	2025
1900	HPPD-190/100/48	1324	HPPD-190/110/48	1340	315	125	3	2025
2000	HPPD-200/100/48	1432	HPPD-200/110/48	1449	2x315	2x125	4	2700
2100	HPPD-210/100/48	1481	HPPD-210/110/48	1499	2x315	2x125	4	2700
2200	HPPD-220/100/48	1505	HPPD-220/110/48	1523	2x315	2x125	4	2700
2300	HPPD-230/100/48	1530	HPPD-230/110/48	1548	2x315	2x125	4	2700
2400	HPPD-240/100/48	1550	HPPD-240/110/48	1570	2x315	2x125	4	2700
2500	HPPD-250/100/48	1673	HPPD-250/110/48	1693	2x315	2x125	5	3375
2600	HPPD-260/100/48	1701	HPPD-260/110/48	1721	2x315	2x125	5	3375
2700	HPPD-270/100/48	1721	HPPD-270/110/48	1743	2x315	2x125	5	3375
2800	HPPD-280/100/48	1749	HPPD-280/110/48	1771	2x315	2x125	5	3375
2900	HPPD-290/100/48	1770	HPPD-290/110/48	1792	2x315	2x125	5	3375

Length L, mm	Width B, mm				Exhaust collar Ø, mm	Air jet collar Ø, mm	Number of grease filters	Maximum exhaust airflow rate, m³/h
	1200		1300					
	Model	Price, €	Model	Price, €				
1000	HPPD-100/120/48	1052	HPPD-100/130/48	1064	315	125	2	1350
1100	HPPD-110/120/48	1076	HPPD-110/130/48	1089	315	125	2	1350
1200	HPPD-120/120/48	1100	HPPD-120/130/48	1113	315	125	2	1350
1300	HPPD-130/120/48	1128	HPPD-130/130/48	1141	315	125	2	1350
1400	HPPD-140/120/48	1148	HPPD-140/130/48	1162	315	125	2	1350
1500	HPPD-150/120/48	1261	HPPD-150/130/48	1275	315	125	3	2025
1600	HPPD-160/120/48	1289	HPPD-160/130/48	1304	315	125	3	2025
1700	HPPD-170/120/48	1309	HPPD-170/130/48	1325	315	125	3	2025
1800	HPPD-180/120/48	1337	HPPD-180/130/48	1353	315	125	3	2025
1900	HPPD-190/120/48	1358	HPPD-190/130/48	1374	315	125	3	2025
2000	HPPD-200/120/48	1467	HPPD-200/130/48	1485	2x315	2x125	4	2700
2100	HPPD-210/120/48	1517	HPPD-210/130/48	1536	2x315	2x125	4	2700
2200	HPPD-220/120/48	1543	HPPD-220/130/48	1561	2x315	2x125	4	2700
2300	HPPD-230/120/48	1568	HPPD-230/130/48	1587	2x315	2x125	4	2700
2400	HPPD-240/120/48	1589	HPPD-240/130/48	1609	2x315	2x125	4	2700
2500	HPPD-250/120/48	1714	HPPD-250/130/48	1733	2x315	2x125	5	3375
2600	HPPD-260/120/48	1743	HPPD-260/130/48	1763	2x315	2x125	5	3375
2700	HPPD-270/120/48	1764	HPPD-270/130/48	1786	2x315	2x125	5	3375
2800	HPPD-280/120/48	1793	HPPD-280/130/48	1815	2x315	2x125	5	3375
2900	HPPD-290/120/48	1815	HPPD-290/130/48	1838	2x315	2x125	5	3375

3000 mm and longer hoods are assembled from 2 hoods

STANDARD FEATURES

AIR JET SYSTEM INCREASES CAPTURE EFFICIENCY



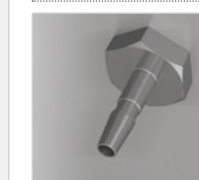
Luminaires are optional



High efficiency cyclonic grease filters 500 x 430 mm



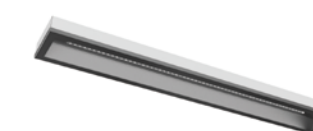
Grease outlet valve (internal thread G1/4)



Pressure ports for fine-tuning extraction and supply air flow rates

LUMINAIRES

Recessed LED luminaire



Plastic fluorescent luminaire



Hood Length L, mm	Code	Price, €	Code	Price, €
L < 1400	K-ELK-610-20W	275	K-ESL-662x24x1	100
1400 ≤ L < 1700	K-ELK-1210-40W	302	K-ESL-1272x54x1	110
1700 ≤ L < 2700	K-ELK-1510-55W	350	K-ESL-1572x80x1	120
2700 ≤ L ≤ 2900	2 x K-ELK-1210-40W	395	2 x K-ESL-1272x54x1	160

OPTIONAL FEATURES



Exhaust adjustment damper

Code: Y-HO
Price: 90 €

Note: price per collar



Air jet adjustment damper

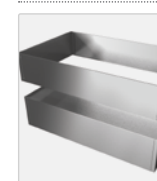
Code: Y-HI
Price: 90 €

Note: price per collar



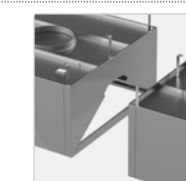
Removable grease tray

Code: Y-HD
Price/pc: 30 €



Cover panels

Code: H00D-02.00 SB
Price/m²: 100 €



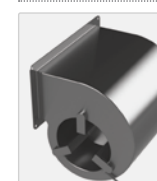
Connection for multiple hood assembly

Code: A-HPPD-SK (left)
A-HPPD-SD (right)
Price: 84 €



Light switch

Code: A-HGJ
Price: 48 €



Integrated exhaust fan

Code: A-HGV
Price: 575 €

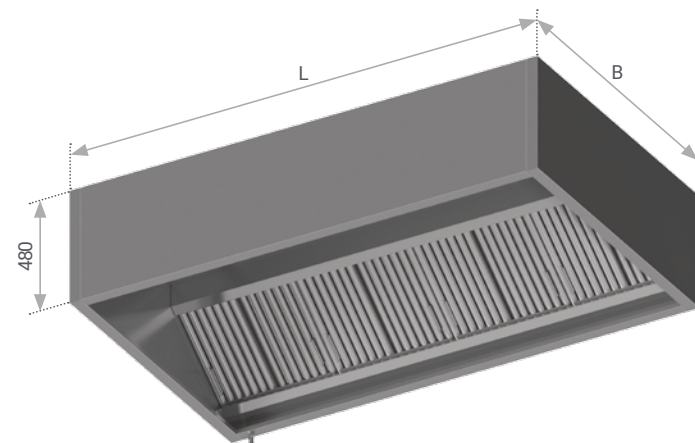
Note: price per fan
Fan quantity specified on page 6.45



Integrated air jet fan

Code: Z-FAN
Price: 420 €

Note: price per fan
Fan quantity specified on page 6.45



i Different dimensions and configurations are available on request. Examples on page 6.50.
Technical characteristics are provided on pages 6.36 - 6.45

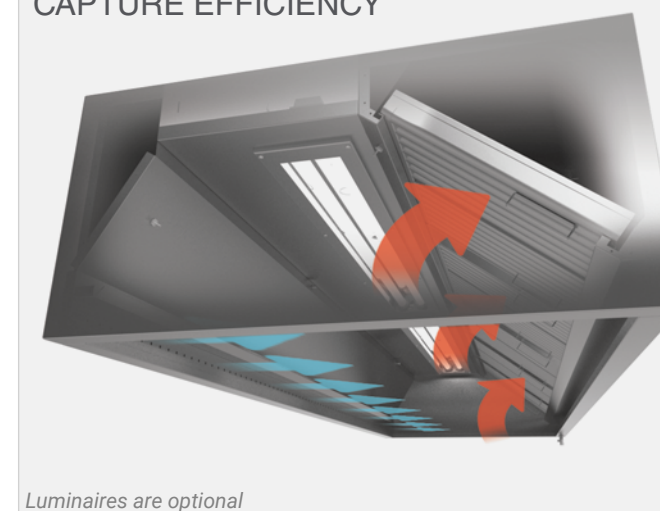


Length L, mm	Width B, mm						Exhaust collar Ø, mm	Air jet collar Ø, mm	Number of grease filters	Maximum exhaust airflow rate, m³/h
	1400		1500		1600					
	Model	Price, €	Model	Price, €	Model	Price, €				
1000	HPPD-100/140/48	1075	HPPD-100/150/48	1088	HPPD-100/150/48	1100	315	125	2	1350
1100	HPPD-110/140/48	1101	HPPD-110/150/48	1113	HPPD-110/150/48	1126	315	125	2	1350
1200	HPPD-120/140/48	1126	HPPD-120/150/48	1139	HPPD-120/150/48	1153	315	125	2	1350
1300	HPPD-130/140/48	1155	HPPD-130/150/48	1169	HPPD-130/150/48	1183	315	125	2	1350
1400	HPPD-140/140/48	1176	HPPD-140/150/48	1191	HPPD-140/150/48	1205	315	125	2	1350
1500	HPPD-150/140/48	1291	HPPD-150/150/48	1305	HPPD-150/150/48	1319	315	125	3	2025
1600	HPPD-160/140/48	1319	HPPD-160/150/48	1335	HPPD-160/150/48	1350	315	125	3	2025
1700	HPPD-170/140/48	1341	HPPD-170/150/48	1357	HPPD-170/150/48	1372	315	125	3	2025
1800	HPPD-180/140/48	1370	HPPD-180/150/48	1386	HPPD-180/150/48	1403	315	125	3	2025
1900	HPPD-190/140/48	1392	HPPD-190/150/48	1408	HPPD-190/150/48	1424	315	125	3	2025
2000	HPPD-200/140/48	1503	HPPD-200/150/48	1520	HPPD-200/150/48	1538	2x315	2x125	4	2700
2100	HPPD-210/140/48	1553	HPPD-210/150/48	1572	HPPD-210/150/48	1590	2x315	2x125	4	2700
2200	HPPD-220/140/48	1580	HPPD-220/150/48	1599	HPPD-220/150/48	1617	2x315	2x125	4	2700
2300	HPPD-230/140/48	1607	HPPD-230/150/48	1625	HPPD-230/150/48	1644	2x315	2x125	4	2700
2400	HPPD-240/140/48	1629	HPPD-240/150/48	1649	HPPD-240/150/48	1669	2x315	2x125	4	2700
2500	HPPD-250/140/48	1754	HPPD-250/150/48	1775	HPPD-250/150/48	1795	2x315	2x125	5	3375
2600	HPPD-260/140/48	1784	HPPD-260/150/48	1806	HPPD-260/150/48	1827	2x315	2x125	5	3375
2700	HPPD-270/140/48	1807	HPPD-270/150/48	1828	HPPD-270/150/48	1850	2x315	2x125	5	3375
2800	HPPD-280/140/48	1838	HPPD-280/150/48	1859	HPPD-280/150/48	1881	2x315	2x125	5	3375
2900	HPPD-290/140/48	1860	HPPD-290/150/48	1883	HPPD-290/150/48	1906	2x315	2x125	5	3375

3000 mm and longer hoods are assembled from 2 hoods

STANDARD FEATURES

AIR JET SYSTEM INCREASES CAPTURE EFFICIENCY



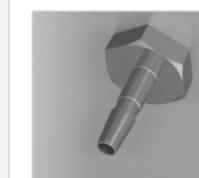
Luminaires are optional



High efficiency cyclonic grease filters 500 x 430 mm



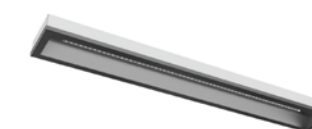
Grease outlet valve (internal thread G1/4)



Pressure ports for fine-tuning extraction and supply air flow rates

LUMINAIRES

Recessed LED luminaire



Plastic fluorescent luminaire



Hood Length L, mm	Code	Price, €	Code	Price, €
L < 1400	K-ELK-610-20W	275	K-ESL-662x24x1	100
1400 ≤ L < 1700	K-ELK-1210-40W	302	K-ESL-1272x54x1	110
1700 ≤ L < 2700	K-ELK-1510-55W	350	K-ESL-1572x80x1	120
2700 ≤ L ≤ 2900	2 x K-ELK-1210-40W	395	2 x K-ESL-1272x54x1	160

OPTIONAL FEATURES



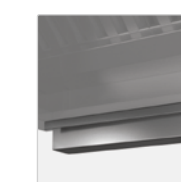
Exhaust adjustment damper

Code: Y-HO
Price: 90 €
Note: price per collar



Air jet adjustment damper

Code: Y-HI
Price: 90 €
Note: price per collar



Removable grease tray

Code: Y-HD
Price/pc: 30 €



Cover panels

Code: H00D-02.00 SB
Price/m²: 100 €



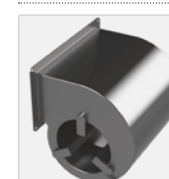
Connection for multiple hood assembly

Code: A-HPPD-SK (left)
A-HPPD-SD (right)
Price: 84 €



Light switch

Code: A-HGJ
Price: 48 €



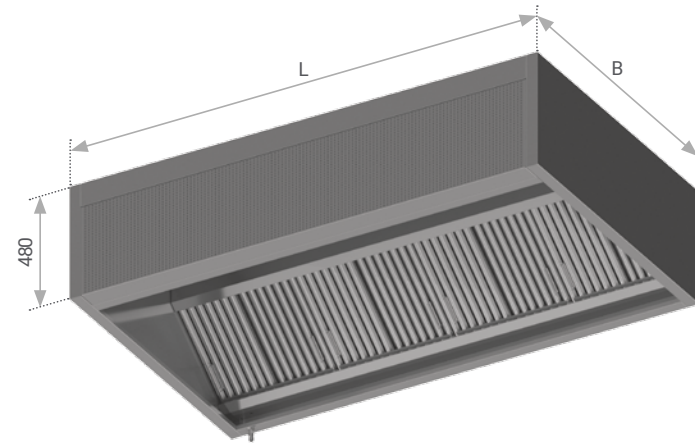
Integrated exhaust fan

Code: A-HGV
Price: 575 €
Note: price per fan
Fan quantity specified on page 6.45



Integrated air jet fan

Code: Z-FAN
Price: 420 €
Note: price per fan
Fan quantity specified on page 6.45



i Different dimensions and configurations are available on request. Examples on page 6.50.
Technical characteristics are provided on pages 6.36 - 6.45



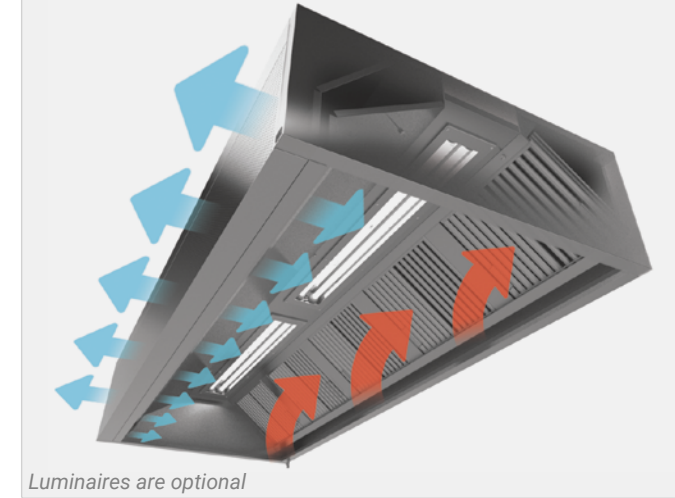
Length L, mm	Width B, mm						Exhaust collar Ø, mm	Air jet collar Ø, mm	Supply collar Ø, mm	Number of grease filters	Maximum exhaust airflow rate, m ³ /h
	1200		1300		1400						
	Model	Price, €	Model	Price, €	Model	Price, €					
1000	HFPD-100/120/48	1152	HFPD-100/130/48	1165	HFPD-100/140/48	1178	315	125	250	2	1350
1100	HFPD-110/120/48	1178	HFPD-110/130/48	1192	HFPD-110/140/48	1206	315	125	250	2	1350
1200	HFPD-120/120/48	1205	HFPD-120/130/48	1220	HFPD-120/140/48	1234	315	125	250	2	1350
1300	HFPD-130/120/48	1235	HFPD-130/130/48	1250	HFPD-130/140/48	1266	315	125	250	2	1350
1400	HFPD-140/120/48	1258	HFPD-140/130/48	1273	HFPD-140/140/48	1289	315	125	250	2	1350
1500	HFPD-150/120/48	1382	HFPD-150/130/48	1398	HFPD-150/140/48	1414	315	125	250	3	2025
1600	HFPD-160/120/48	1412	HFPD-160/130/48	1430	HFPD-160/140/48	1446	315	125	250	3	2025
1700	HFPD-170/120/48	1435	HFPD-170/130/48	1452	HFPD-170/140/48	1470	315	125	250	3	2025
1800	HFPD-180/120/48	1465	HFPD-180/130/48	1483	HFPD-180/140/48	1502	315	125	250	3	2025
1900	HFPD-190/120/48	1487	HFPD-190/130/48	1507	HFPD-190/140/48	1525	315	125	250	3	2025
2000	HFPD-200/120/48	1609	HFPD-200/130/48	1628	HFPD-200/140/48	1648	2x315	2x125	2x250	4	2700
2100	HFPD-210/120/48	1663	HFPD-210/130/48	1684	HFPD-210/140/48	1704	2x315	2x125	2x250	4	2700
2200	HFPD-220/120/48	1691	HFPD-220/130/48	1712	HFPD-220/140/48	1732	2x315	2x125	2x250	4	2700
2300	HFPD-230/120/48	1719	HFPD-230/130/48	1741	HFPD-230/140/48	1762	2x315	2x125	2x250	4	2700
2400	HFPD-240/120/48	1743	HFPD-240/130/48	1765	HFPD-240/140/48	1787	2x315	2x125	2x250	4	2700
2500	HFPD-250/120/48	1880	HFPD-250/130/48	1902	HFPD-250/140/48	1925	2x315	2x125	2x250	5	3375
2600	HFPD-260/120/48	1912	HFPD-260/130/48	1934	HFPD-260/140/48	1958	2x315	2x125	2x250	5	3375
2700	HFPD-270/120/48	1935	HFPD-270/130/48	1959	HFPD-270/140/48	1983	2x315	2x125	2x250	5	3375
2800	HFPD-280/120/48	1967	HFPD-280/130/48	1991	HFPD-280/140/48	2016	2x315	2x125	2x250	5	3375
2900	HFPD-290/120/48	1991	HFPD-290/130/48	2016	HFPD-290/140/48	2040	2x315	2x125	2x250	5	3375

Length L, mm	Width B, mm						Exhaust collar Ø, mm	Air jet collar Ø, mm	Supply collar Ø, mm	Number of grease filters	Maximum exhaust airflow rate, m ³ /h
	1500		1600		1700						
	Model	Price, €	Model	Price, €	Model	Price, €					
1000	HFPD-100/150/48	1192	HFPD-100/160/48	1204	HFPD-100/170/48	1216	315	125	250	2	1350
1100	HFPD-110/150/48	1220	HFPD-110/160/48	1233	HFPD-110/170/48	1246	315	125	250	2	1350
1200	HFPD-120/150/48	1248	HFPD-120/160/48	1263	HFPD-120/170/48	1277	315	125	250	2	1350
1300	HFPD-130/150/48	1280	HFPD-130/160/48	1296	HFPD-130/170/48	1311	315	125	250	2	1350
1400	HFPD-140/150/48	1305	HFPD-140/160/48	1320	HFPD-140/170/48	1336	315	125	250	2	1350
1500	HFPD-150/150/48	1431	HFPD-150/160/48	1447	HFPD-150/170/48	1464	315	125	250	3	2025
1600	HFPD-160/150/48	1463	HFPD-160/160/48	1480	HFPD-160/170/48	1498	315	125	250	3	2025
1700	HFPD-170/150/48	1487	HFPD-170/160/48	1505	HFPD-170/170/48	1522	315	125	250	3	2025
1800	HFPD-180/150/48	1519	HFPD-180/160/48	1538	HFPD-180/170/48	1556	315	125	250	3	2025
1900	HFPD-190/150/48	1544	HFPD-190/160/48	1563	HFPD-190/170/48	1581	315	125	250	3	2025
2000	HFPD-200/150/48	1667	HFPD-200/160/48	1686	HFPD-200/170/48	1706	2x315	2x125	2x250	4	2700
2100	HFPD-210/150/48	1724	HFPD-210/160/48	1744	HFPD-210/170/48	1763	2x315	2x125	2x250	4	2700
2200	HFPD-220/150/48	1753	HFPD-220/160/48	1774	HFPD-220/170/48	1794	2x315	2x125	2x250	4	2700
2300	HFPD-230/150/48	1783	HFPD-230/160/48	1805	HFPD-230/170/48	1826	2x315	2x125	2x250	4	2700
2400	HFPD-240/150/48	1809	HFPD-240/160/48	1830	HFPD-240/170/48	1852	2x315	2x125	2x250	4	2700
2500	HFPD-250/150/48	1947	HFPD-250/160/48	1969	HFPD-250/170/48	1992	2x315	2x125	2x250	5	3375
2600	HFPD-260/150/48	1981	HFPD-260/160/48	2004	HFPD-260/170/48	2028	2x315	2x125	2x250	5	3375
2700	HFPD-270/150/48	2006	HFPD-270/160/48	2030	HFPD-270/170/48	2054	2x315	2x125	2x250	5	3375
2800	HFPD-280/150/48	2040	HFPD-280/160/48	2064	HFPD-280/170/48	2088	2x315	2x125	2x250	5	3375
2900	HFPD-290/150/48	2066	HFPD-290/160/48	2091	HFPD-290/170/48	2116	2x315	2x125	2x250	5	3375

3000 mm and longer hoods are assembled from 2 hoods

STANDARD FEATURES

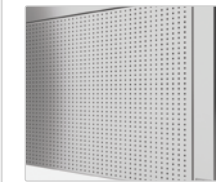
AIR JET SYSTEM AND SUPPLY OF FRESH AIR DIRECTLY TO THE WORKING PLACE



Luminaires are optional



High efficiency cyclonic grease filters 500 x 430 mm



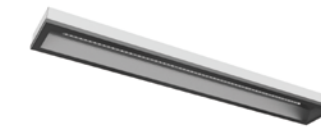
Low velocity make-up air supply through perforated front panel



Pressure ports for fine-tuning extraction and supply air flow rates

LUMINAIRES

Recessed LED luminaire



Plastic fluorescent luminaire



Hood Length L, mm	Code	Price, €	Code	Price, €
L < 1400	K-ELK-610-20W	275	K-ESL-662x24x1	100
1400 ≤ L < 1700	K-ELK-1210-40W	302	K-ESL-1272x54x1	110
1700 ≤ L < 2700	K-ELK-1510-55W	350	K-ESL-1572x80x1	120
2700 ≤ L ≤ 2900	2 x K-ELK-1210-40W	395	2 x K-ESL-1272x54x1	160

OPTIONAL FEATURES



Exhaust adjustment damper

Code: Y-HO
Price: 90 €

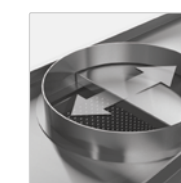
Note: price per collar



Air jet adjustment damper

Code: Y-HI
Price: 90 €

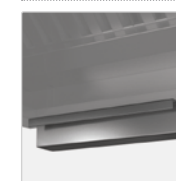
Note: price per collar



Air supply adjustment damper

Code: Y-HA
Price: 70 €

Note: price per collar



Removable grease tray

Code: Y-HD
Price/pc: 30 €



Cover panels

Code: H00D-02.00 SB
Price/m²: 100 €



Connection for multiple hood assembly

Code: A-HFPD-SK (left)
A-HFPD-SD (right)
Price: 84 €



Light switch

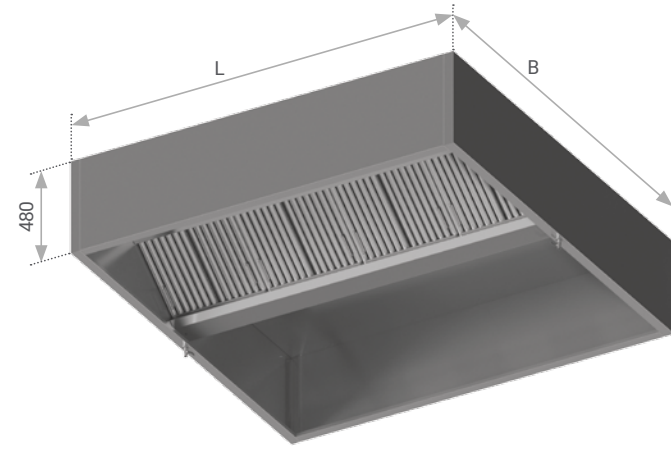
Code: A-HGJ
Price: 48 €



Integrated air jet fan

Code: Z-FAN
Price: 420 €

Note: price per fan
Fan quantity specified on page 6.45



i Different dimensions and configurations are available on request. Examples on page 6.50.
Technical characteristics are provided on pages 6.36 - 6.45



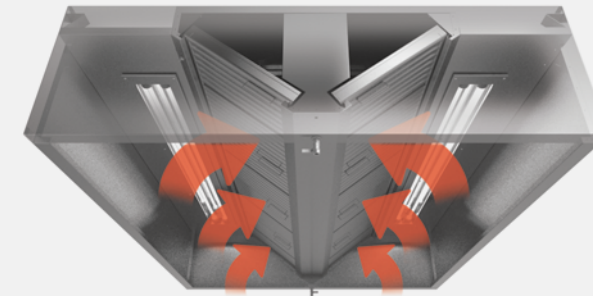
Length L, mm	Width B, mm						Exhaust collar Ø, mm	Number of grease filters	Maximum exhaust airflow rate, m³/h
	1600		1800		2000				
	Model	Price, €	Model	Price, €	Model	Price, €			
1400	HNCD-140/160/48	1297	HNCD-140/180/48	1326	HNCD-140/200/48	1362	400	4	2700
1500	HNCD-150/160/48	1315	HNCD-150/180/48	1346	HNCD-150/200/48	1381	400	6	4050
1600	HNCD-160/160/48	1334	HNCD-160/180/48	1367	HNCD-160/200/48	1401	400	6	4050
1700	HNCD-170/160/48	1352	HNCD-170/180/48	1387	HNCD-170/200/48	1422	400	6	4050
1800	HNCD-180/160/48	1385	HNCD-180/180/48	1421	HNCD-180/200/48	1458	400	6	4050
1900	HNCD-190/160/48	1404	HNCD-190/180/48	1442	HNCD-190/200/48	1480	400	6	4050
2000	HNCD-200/160/48	1566	HNCD-200/180/48	1606	HNCD-200/200/48	1645	2x400	8	5400
2100	HNCD-210/160/48	1592	HNCD-210/180/48	1633	HNCD-210/200/48	1673	2x400	8	5400
2200	HNCD-220/160/48	1618	HNCD-220/180/48	1659	HNCD-220/200/48	1702	2x400	8	5400
2300	HNCD-230/160/48	1644	HNCD-230/180/48	1687	HNCD-230/200/48	1730	2x400	8	5400
2400	HNCD-240/160/48	1662	HNCD-240/180/48	1708	HNCD-240/200/48	1752	2x400	8	5400
2500	HNCD-250/160/48	1828	HNCD-250/180/48	1875	HNCD-250/200/48	1921	2x400	10	6750
2600	HNCD-260/160/48	1861	HNCD-260/180/48	1909	HNCD-260/200/48	1956	2x400	10	6750
2700	HNCD-270/160/48	1881	HNCD-270/180/48	1929	HNCD-270/200/48	1978	2x400	10	6750
2800	HNCD-280/160/48	1913	HNCD-280/180/48	1963	HNCD-280/200/48	2014	2x400	10	6750
2900	HNCD-290/160/48	1932	HNCD-290/180/48	1984	HNCD-290/200/48	2035	2x400	10	6750

Length L, mm	Width B, mm						Exhaust collar Ø, mm	Number of grease filters	Maximum exhaust airflow rate, m³/h
	2200		2400		2600				
	Model	Price, €	Model	Price, €	Model	Price, €			
1400	HNCD-140/220/48	1389	HNCD-140/240/48	1419	HNCD-140/260/48	1451	400	4	2700
1500	HNCD-150/220/48	1412	HNCD-150/240/48	1444	HNCD-150/260/48	1477	400	6	4050
1600	HNCD-160/220/48	1435	HNCD-160/240/48	1469	HNCD-160/260/48	1503	400	6	4050
1700	HNCD-170/220/48	1457	HNCD-170/240/48	1494	HNCD-170/260/48	1529	400	6	4050
1800	HNCD-180/220/48	1495	HNCD-180/240/48	1532	HNCD-180/260/48	1568	400	6	4050
1900	HNCD-190/220/48	1518	HNCD-190/240/48	1556	HNCD-190/260/48	1593	400	6	4050
2000	HNCD-200/220/48	1684	HNCD-200/240/48	1723	HNCD-200/260/48	1762	2x400	8	5400
2100	HNCD-210/220/48	1714	HNCD-210/240/48	1754	HNCD-210/260/48	1795	2x400	8	5400
2200	HNCD-220/220/48	1744	HNCD-220/240/48	1786	HNCD-220/260/48	1828	2x400	8	5400
2300	HNCD-230/220/48	1774	HNCD-230/240/48	1817	HNCD-230/260/48	1860	2x400	8	5400
2400	HNCD-240/220/48	1797	HNCD-240/240/48	1842	HNCD-240/260/48	1886	2x400	8	5400
2500	HNCD-250/220/48	1967	HNCD-250/240/48	2013	HNCD-250/260/48	2059	2x400	10	6750
2600	HNCD-260/220/48	2003	HNCD-260/240/48	2051	N/A	N/A	2x400	10	6750
2700	HNCD-270/220/48	2027	HNCD-270/240/48	2076	N/A	N/A	2x400	10	6750
2800	HNCD-280/220/48	2064	HNCD-280/240/48	2114	N/A	N/A	2x400	10	6750
2900	HNCD-290/220/48	2087	HNCD-290/240/48	2138	N/A	N/A	2x400	10	6750

3000 mm and longer hoods are assembled from 2 hoods

STANDARD FEATURES

HYGIENIC AND EFFICIENT DESIGN



Luminaires are optional



High efficiency cyclonic grease filters 500 x 430 mm



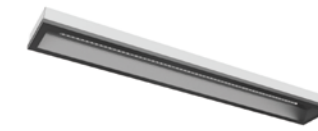
Grease outlet valve (internal thread G1/4)



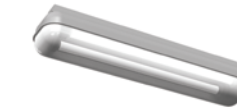
Pressure port for fine-tuning extraction flow rate

LUMINAIRES

Recessed LED luminaire



Plastic fluorescent luminaire



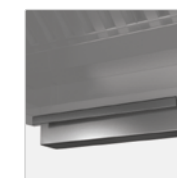
Hood Length L, mm	Code	Price, €	Code	Price, €
L < 1700	2 x K-ELK-1210-40W	495	2 x K-ESL-1272x54x1	180
1700 ≤ L < 2700	2 x K-ELK-1510-55W	580	2 x K-ESL-1572x80x1	200
2700 ≤ L ≤ 2900	4 x K-ELK-1210-40W	900	4 x K-ESL-1272x54x1	290

OPTIONAL FEATURES



Exhaust adjustment damper

Code: Y-HO
Price: 90 €
Note: price per collar



Removable grease tray

Code: Y-HD
Price/pc: 30 €



Cover panels

Code: H00D-02.00 SB
Price/m²: 100 €



Connection for multiple hood assembly

Code: A-HNCD-SK (left), A-HNCD-SD (right)
Price: 84 €



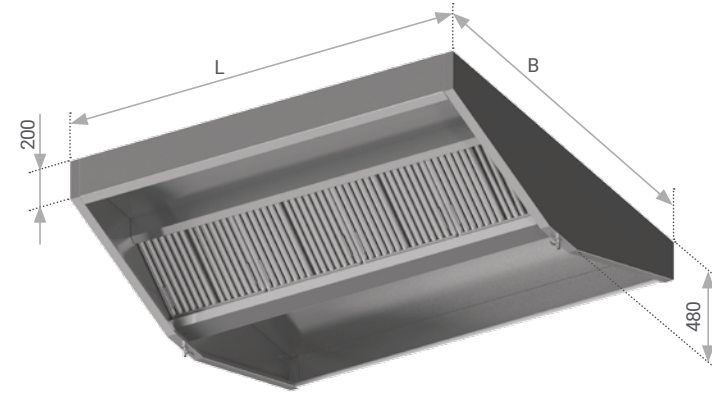
Light switch

Code: A-HGJ
Price: 48 €



Integrated exhaust fan

Code: A-HGV
Price: Ask for price



i Different dimensions and configurations are available on request. Examples on page 6.50.
Technical characteristics are provided on pages 6.36 - 6.45



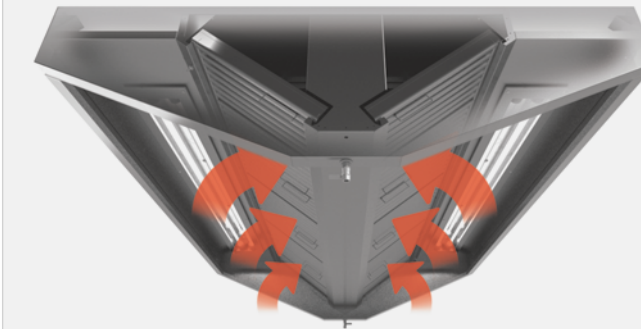
Length L, mm	Width B, mm				Exhaust collar Ø, mm	Number of grease filters	Maximum exhaust airflow rate, m³/h
	1400		1600				
	Model	Price, €	Model	Price, €			
1400	HNCA-140/140/48	1213	HNCA-140/160/48	1243	400	4	2700
1500	HNCA-150/140/48	1226	HNCA-150/160/48	1258	400	6	4050
1600	HNCA-160/140/48	1239	HNCA-160/160/48	1272	400	6	4050
1700	HNCA-170/140/48	1252	HNCA-170/160/48	1286	400	6	4050
1800	HNCA-180/140/48	1280	HNCA-180/160/48	1316	400	6	4050
1900	HNCA-190/140/48	1295	HNCA-190/160/48	1331	400	6	4050
2000	HNCA-200/140/48	1447	HNCA-200/160/48	1485	2x400	8	5400
2100	HNCA-210/140/48	1468	HNCA-210/160/48	1507	2x400	8	5400
2200	HNCA-220/140/48	1488	HNCA-220/160/48	1530	2x400	8	5400
2300	HNCA-230/140/48	1509	HNCA-230/160/48	1551	2x400	8	5400
2400	HNCA-240/140/48	1523	HNCA-240/160/48	1567	2x400	8	5400
2500	HNCA-250/140/48	1680	HNCA-250/160/48	1724	2x400	10	6750
2600	HNCA-260/140/48	1707	HNCA-260/160/48	1753	2x400	10	6750
2700	HNCA-270/140/48	1721	HNCA-270/160/48	1769	2x400	10	6750
2800	HNCA-280/140/48	1749	HNCA-280/160/48	1797	2x400	10	6750
2900	HNCA-290/140/48	1762	HNCA-290/160/48	1813	2x400	10	6750

Length L, mm	Width B, mm				Exhaust collar Ø, mm	Number of grease filters	Maximum exhaust airflow rate, m³/h
	1800		2000				
	Model	Price, €	Model	Price, €			
1400	HNCA-140/180/48	1269	HNCA-140/200/48	1300	400	4	2700
1500	HNCA-150/180/48	1286	HNCA-150/200/48	1318	400	6	4050
1600	HNCA-160/180/48	1304	HNCA-160/200/48	1337	400	6	4050
1700	HNCA-170/180/48	1321	HNCA-170/200/48	1355	400	6	4050
1800	HNCA-180/180/48	1351	HNCA-180/200/48	1386	400	6	4050
1900	HNCA-190/180/48	1368	HNCA-190/200/48	1405	400	6	4050
2000	HNCA-200/180/48	1522	HNCA-200/200/48	1560	2x400	8	5400
2100	HNCA-210/180/48	1546	HNCA-210/200/48	1585	2x400	8	5400
2200	HNCA-220/180/48	1570	HNCA-220/200/48	1610	2x400	8	5400
2300	HNCA-230/180/48	1593	HNCA-230/200/48	1636	2x400	8	5400
2400	HNCA-240/180/48	1610	HNCA-240/200/48	1653	2x400	8	5400
2500	HNCA-250/180/48	1769	HNCA-250/200/48	1814	2x400	10	6750
2600	HNCA-260/180/48	1799	HNCA-260/200/48	1845	2x400	10	6750
2700	HNCA-270/180/48	1816	HNCA-270/200/48	1863	2x400	10	6750
2800	HNCA-280/180/48	1846	HNCA-280/200/48	1894	2x400	10	6750
2900	HNCA-290/180/48	1862	HNCA-290/200/48	1913	2x400	10	6750

3000 mm and longer hoods are assembled from 2 hoods

STANDARD FEATURES

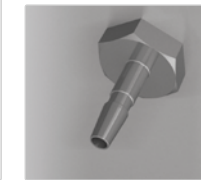
HYGIENIC AND EFFICIENT DESIGN



High efficiency cyclonic grease filters 500 x 430 mm



Grease outlet valve (internal thread G1/4)

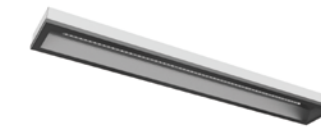


Pressure port for fine-tuning extraction flow rate

Luminaires are optional

LUMINAIRES

Recessed LED luminaire



Plastic fluorescent luminaire



Hood Length L, mm	Code	Price, €	Code	Price, €
L < 1700	2 x K-ELK-1210-40W	495	2 x K-ESL-1272x54x1	180
1700 ≤ L < 2700	2 x K-ELK-1510-55W	580	2 x K-ESL-1572x80x1	200
2700 ≤ L ≤ 2900	4 x K-ELK-1210-40W	900	4 x K-ESL-1272x54x1	290

OPTIONAL FEATURES



Exhaust adjustment damper

Code: Y-HO
Price: 90 €
Note: price per collar



Removable grease tray

Code: Y-HD
Price/pc: 30 €



Cover panels

Code: H00D-02.00 SB
Price/m²: 100 €



Connection for multiple hood assembly

Code: A-HNCA-SK (left)
A-HNCA-SD (right)
Price: 84 €



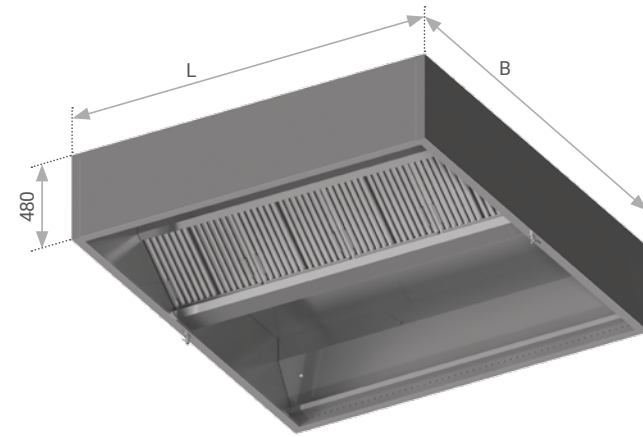
Light switch

Code: A-HGJ
Price: 48 €



Integrated exhaust fan

Code: A-HGV
Price: Ask for price



i Different dimensions and configurations are available on request. Examples on page 6.50.
Technical characteristics are provided on pages 6.36 - 6.45



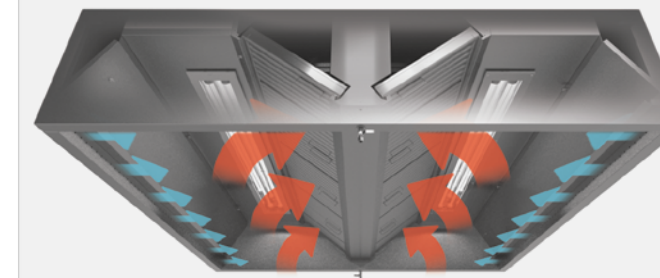
Length L, mm	Width B, mm						Exhaust collar Ø, mm	Air jet collar Ø, mm	Number of grease filters	Maximum exhaust airflow rate, m³/h
	2000		2200		2400					
	Model	Price, €	Model	Price, €	Model	Price, €				
1400	HPCD-140/200/48	1959	HPCD-140/220/48	1988	HPCD-140/240/48	2016	400	2x125	4	2700
1500	HPCD-150/200/48	1991	HPCD-150/220/48	2021	HPCD-150/240/48	2051	400	2x125	6	4050
1600	HPCD-160/200/48	2023	HPCD-160/220/48	2054	HPCD-160/240/48	2085	400	2x125	6	4050
1700	HPCD-170/200/48	2055	HPCD-170/220/48	2087	HPCD-170/240/48	2119	400	2x125	6	4050
1800	HPCD-180/200/48	2102	HPCD-180/220/48	2135	HPCD-180/240/48	2168	400	2x125	6	4050
1900	HPCD-190/200/48	2135	HPCD-190/220/48	2170	HPCD-190/240/48	2204	400	2x125	6	4050
2000	HPCD-200/200/48	2400	HPCD-200/220/48	2435	HPCD-200/240/48	2471	2x400	4x125	8	5400
2100	HPCD-210/200/48	2444	HPCD-210/220/48	2480	HPCD-210/240/48	2516	2x400	4x125	8	5400
2200	HPCD-220/200/48	2494	HPCD-220/220/48	2531	HPCD-220/240/48	2569	2x400	4x125	8	5400
2300	HPCD-230/200/48	2537	HPCD-230/220/48	2576	HPCD-230/240/48	2615	2x400	4x125	8	5400
2400	HPCD-240/200/48	2574	HPCD-240/220/48	2614	HPCD-240/240/48	2653	2x400	4x125	8	5400
2500	HPCD-250/200/48	2769	HPCD-250/220/48	2809	HPCD-250/240/48	2850	2x400	4x125	10	6750
2600	HPCD-260/200/48	2819	HPCD-260/220/48	2861	HPCD-260/240/48	2904	2x400	4x125	10	6750
2700	HPCD-270/200/48	2856	HPCD-270/220/48	2899	HPCD-270/240/48	2943	2x400	4x125	10	6750
2800	HPCD-280/200/48	2908	HPCD-280/220/48	2952	HPCD-280/240/48	2996	2x400	4x125	10	6750
2900	HPCD-290/200/48	2944	HPCD-290/220/48	2989	HPCD-290/240/48	3034	2x400	4x125	10	6750

Length L, mm	Width B, mm						Exhaust collar Ø, mm	Air jet collar Ø, mm	Number of grease filters	Maximum exhaust airflow rate, m³/h
	2600		2800							
	Model	Price, €	Model	Price, €						
1400	HPCD-140/260/48	2046	HPCD-140/280/48	2074	400	2x125	4	2700		
1500	HPCD-150/260/48	2081	HPCD-150/280/48	2110	400	2x125	6	4050		
1600	HPCD-160/260/48	2116	HPCD-160/280/48	2147	400	2x125	6	4050		
1700	HPCD-170/260/48	2151	HPCD-170/280/48	2183	400	2x125	6	4050		
1800	HPCD-180/260/48	2202	HPCD-180/280/48	2235	400	2x125	6	4050		
1900	HPCD-190/260/48	2238	HPCD-190/280/48	2272	400	2x125	6	4050		
2000	HPCD-200/260/48	2506	HPCD-200/280/48	2541	2x400	4x125	8	5400		
2100	HPCD-210/260/48	2553	HPCD-210/280/48	2589	2x400	4x125	8	5400		
2200	HPCD-220/260/48	2606	HPCD-220/280/48	2644	2x400	4x125	8	5400		
2300	HPCD-230/260/48	2653	HPCD-230/280/48	2692	2x400	4x125	8	5400		
2400	HPCD-240/260/48	2693	HPCD-240/280/48	2734	2x400	4x125	8	5400		
2500	HPCD-250/260/48	2891	HPCD-250/280/48	2932	2x400	4x125	10	6750		

3000 mm and longer hoods are assembled from 2 hoods

STANDARD FEATURES

AIR JET SYSTEM INCREASES CAPTURE EFFICIENCY



Luminaires are optional



High efficiency cyclonic grease filters 500 x 430 mm



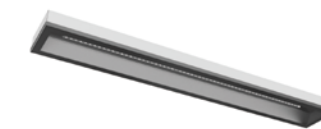
Grease outlet valve (internal thread G1/4)



Pressure ports for fine-tuning extraction and supply air flow rates

LUMINAIRES

Recessed LED luminaire



Plastic fluorescent luminaire



Hood Length L, mm	Code	Price, €	Code	Price, €
L < 1700	2 x K-ELK-1210-40W	495	2 x K-ESL-1272x54x1	180
1700 ≤ L < 2700	2 x K-ELK-1510-55W	580	2 x K-ESL-1572x80x1	200
2700 ≤ L ≤ 2900	4 x K-ELK-1210-40W	900	4 x K-ESL-1272x54x1	290

OPTIONAL FEATURES



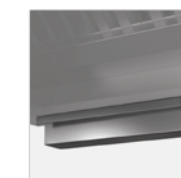
Exhaust adjustment damper

Code: Y-HO
Price: 90 €
Note: price per collar



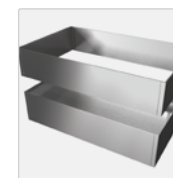
Air jet adjustment damper

Code: Y-HI
Price: 90 €
Note: price per collar



Removable grease tray

Code: Y-HD
Price/pc: 30 €



Cover panels

Code: H00D-02.00 SB
Price/m²: 100 €



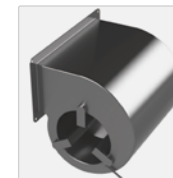
Connection for multiple hood assembly

Code: A-HPCD-SK (left)
A-HPCD-SD (right)
Price: 84 €



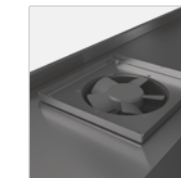
Light switch

Code: A-HGJ
Price: 48 €



Integrated exhaust fan

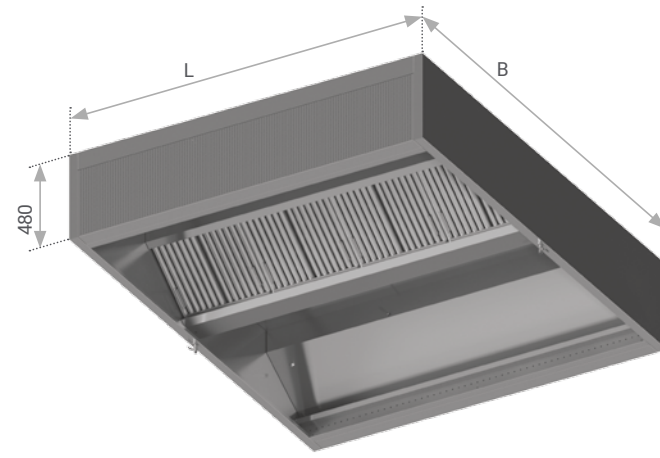
Code: A-HGV
Price: Ask for price



Integrated air jet fan

Code: Z-FAN
Price: 420 €

Note: price per fan
Fan quantity specified on page 6.45



i Different dimensions and configurations are available on request. Examples on page 6.50.
Technical characteristics are provided on pages 6.36 - 6.45

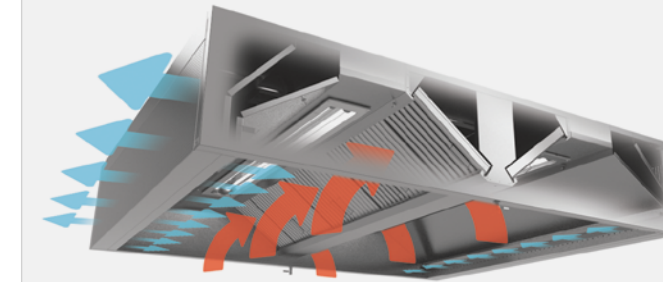


Length L, mm	Width B, mm						Exhaust collar Ø, mm	Air jet collar Ø, mm	Supply collar Ø, mm	Number of grease filters	Maximum exhaust airflow rate, m³/h
	2400		2600		2800						
	Model	Price, €	Model	Price, €	Model	Price, €					
1400	HFCD-140/240/48	2211	HFCD-140/260/48	2253	HFCD-140/280/48	2275	400	2x125	2x250	4	2700
1500	HFCD-150/240/48	2250	HFCD-150/260/48	2282	HFCD-150/280/48	2315	400	2x125	2x250	6	4050
1600	HFCD-160/240/48	2288	HFCD-160/260/48	2322	HFCD-160/280/48	2356	400	2x125	2x250	6	4050
1700	HFCD-170/240/48	2326	HFCD-170/260/48	2361	HFCD-170/280/48	2396	400	2x125	2x250	6	4050
1800	HFCD-180/240/48	2380	HFCD-180/260/48	2416	HFCD-180/280/48	2453	400	2x125	2x250	6	4050
1900	HFCD-190/240/48	2419	HFCD-190/260/48	2457	HFCD-190/280/48	2495	400	2x125	2x250	6	4050
2000	HFCD-200/240/48	2712	HFCD-200/260/48	2751	HFCD-200/280/48	2790	2x400	4x125	4x250	8	5400
2100	HFCD-210/240/48	2763	HFCD-210/260/48	2804	HFCD-210/280/48	2844	2x400	4x125	4x250	8	5400
2200	HFCD-220/240/48	2820	HFCD-220/260/48	2861	HFCD-220/280/48	2903	2x400	4x125	4x250	8	5400
2300	HFCD-230/240/48	2871	HFCD-230/260/48	2914	HFCD-230/280/48	2956	2x400	4x125	4x250	8	5400
2400	HFCD-240/240/48	2914	HFCD-240/260/48	2957	HFCD-240/280/48	3001	2x400	4x125	4x250	8	5400
2500	HFCD-250/240/48	3130	HFCD-250/260/48	3175	HFCD-250/280/48	3220	2x400	4x125	4x250	10	6750
2600	HFCD-260/240/48	3189	N/A	N/A	N/A	N/A	2x400	4x125	4x250	10	6750
2700	HFCD-270/240/48	3231	N/A	N/A	N/A	N/A	2x400	4x125	4x250	10	6750
2800	HFCD-280/240/48	3291	N/A	N/A	N/A	N/A	2x400	4x125	4x250	10	6750
2900	HFCD-290/240/48	3333	N/A	N/A	N/A	N/A	2x400	4x125	4x250	10	6750

3000 mm and longer hoods are assembled from 2 hoods

STANDARD FEATURES

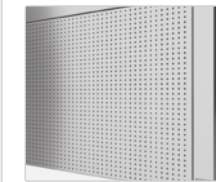
AIR JET SYSTEM AND SUPPLY OF FRESH AIR DIRECTLY TO THE WORKING PLACE



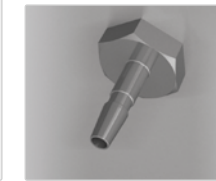
Luminaires are optional



High efficiency cyclonic grease filters 500 x 430 mm



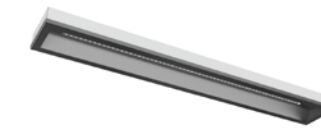
Low velocity make-up air supply through perforated front panel



Pressure ports for fine-tuning extraction and supply air flow rates

LUMINAIRES

Recessed LED luminaire



Plastic fluorescent luminaire



Hood Length L, mm	Code	Price, €	Code	Price, €
L < 1700	2 x K-ELK-1210-40W	495	2 x K-ESL-1272x54x1	180
1700 ≤ L < 2700	2 x K-ELK-1510-55W	580	2 x K-ESL-1572x80x1	200
2700 ≤ L ≤ 2900	4 x K-ELK-1210-40W	900	4 x K-ESL-1272x54x1	290

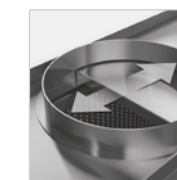
OPTIONAL FEATURES



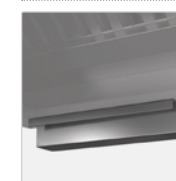
Exhaust adjustment damper
Code: Y-HO
Price: 90 €
Note: price per collar



Air jet adjustment damper
Code: Y-HI
Price: 90 €
Note: price per collar



Air supply adjustment damper
Code: Y-HA
Price: 70 €
Note: price per collar



Removable grease tray
Code: Y-HD
Price/pc: 30 €



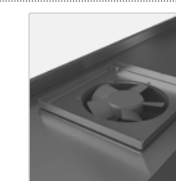
Cover panels
Code: H00D-02.00 SB
Price/m²: 100 €



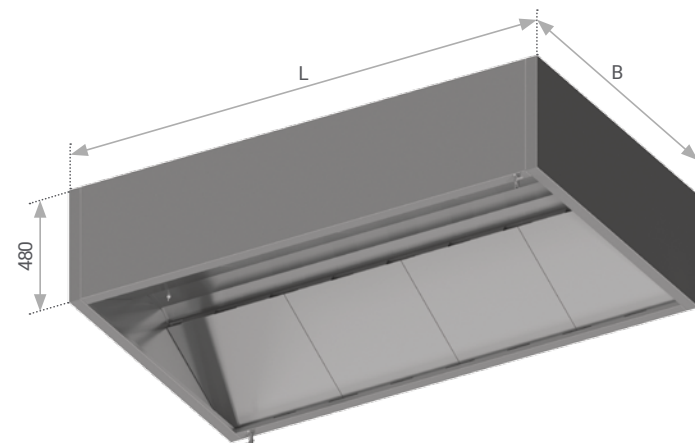
Connection for multiple hood assembly
Code: A-HFCD-SK (left)
A-HFCD-SD (right)
Price: 84 €



Light switch
Code: A-HGJ
Price: 48 €



Integrated air jet fan
Code: Z-FAN
Price: 420 €
Note: price per fan
Fan quantity specified on page 6.45



Information icon Different dimensions and configurations are available on request. Examples on page 6.50. Technical characteristics are provided on pages 6.36 - 6.45



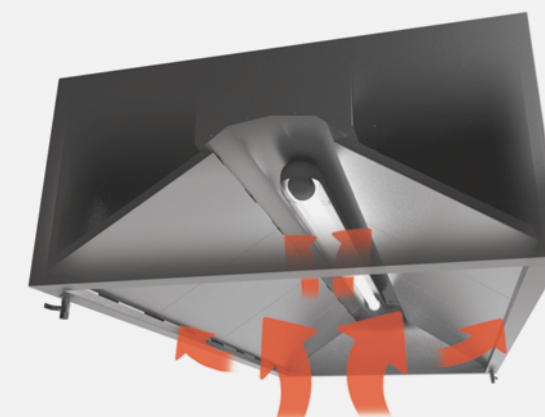
Length L, mm	Width B, mm						Exhaust collar Ø, mm	Number of condensate plates	Maximum exhaust airflow rate, m³/h
	1000		1100		1200				
	Model	Price, €	Model	Price, €	Model	Price, €			
1000	HKCD-100/100/48	899	HKCD-100/110/48	911	HKCD-100/120/48	923	315	4	900
1100	HKCD-110/100/48	917	HKCD-110/110/48	929	HKCD-110/120/48	942	315	4	900
1200	HKCD-120/100/48	934	HKCD-120/110/48	948	HKCD-120/120/48	961	315	4	900
1300	HKCD-130/100/48	952	HKCD-130/110/48	966	HKCD-130/120/48	980	315	4	900
1400	HKCD-140/100/48	963	HKCD-140/110/48	978	HKCD-140/120/48	992	315	4	900
1500	HKCD-150/100/48	1115	HKCD-150/110/48	1130	HKCD-150/120/48	1146	315	6	1350
1600	HKCD-160/100/48	1139	HKCD-160/110/48	1155	HKCD-160/120/48	1171	315	6	1350
1700	HKCD-170/100/48	1150	HKCD-170/110/48	1167	HKCD-170/120/48	1183	315	6	1350
1800	HKCD-180/100/48	1175	HKCD-180/110/48	1192	HKCD-180/120/48	1209	315	6	1350
1900	HKCD-190/100/48	1186	HKCD-190/110/48	1203	HKCD-190/120/48	1221	315	6	1350
2000	HKCD-200/100/48	1331	HKCD-200/110/48	1349	HKCD-200/120/48	1368	2x315	8	1800
2100	HKCD-210/100/48	1349	HKCD-210/110/48	1368	HKCD-210/120/48	1387	2x315	8	1800
2200	HKCD-220/100/48	1366	HKCD-220/110/48	1386	HKCD-220/120/48	1406	2x315	8	1800
2300	HKCD-230/100/48	1384	HKCD-230/110/48	1404	HKCD-230/120/48	1425	2x315	8	1800
2400	HKCD-240/100/48	1395	HKCD-240/110/48	1416	HKCD-240/120/48	1437	2x315	8	1800
2500	HKCD-250/100/48	1544	HKCD-250/110/48	1566	HKCD-250/120/48	1587	2x315	10	2250
2600	HKCD-260/100/48	1568	HKCD-260/110/48	1591	HKCD-260/120/48	1613	2x315	10	2250
2700	HKCD-270/100/48	1579	HKCD-270/110/48	1602	HKCD-270/120/48	1625	2x315	10	2250
2800	HKCD-280/100/48	1603	HKCD-280/110/48	1627	HKCD-280/120/48	1651	2x315	10	2250
2900	HKCD-290/100/48	1615	HKCD-290/110/48	1639	HKCD-290/120/48	1663	2x315	10	2250

Length L, mm	Width B, mm						Exhaust collar Ø, mm	Number of condensate plates	Maximum exhaust airflow rate, m³/h
	1300		1400		1500				
	Model	Price, €	Model	Price, €	Model	Price, €			
1000	HKCD-100/130/48	947	HKCD-100/140/48	971	HKCD-100/150/48	995	315	4	900
1100	HKCD-110/130/48	967	HKCD-110/140/48	993	HKCD-110/150/48	1018	315	4	900
1200	HKCD-120/130/48	987	HKCD-120/140/48	1014	HKCD-120/150/48	1041	315	4	900
1300	HKCD-130/130/48	1008	HKCD-130/140/48	1036	HKCD-130/150/48	1063	315	4	900
1400	HKCD-140/130/48	1021	HKCD-140/140/48	1051	HKCD-140/150/48	1080	315	4	900
1500	HKCD-150/130/48	1176	HKCD-150/140/48	1207	HKCD-150/150/48	1237	315	6	1350
1600	HKCD-160/130/48	1203	HKCD-160/140/48	1235	HKCD-160/150/48	1266	315	6	1350
1700	HKCD-170/130/48	1216	HKCD-170/140/48	1249	HKCD-170/150/48	1283	315	6	1350
1800	HKCD-180/130/48	1243	HKCD-180/140/48	1278	HKCD-180/150/48	1312	315	6	1350
1900	HKCD-190/130/48	1257	HKCD-190/140/48	1292	HKCD-190/150/48	1328	315	6	1350
2000	HKCD-200/130/48	1405	HKCD-200/140/48	1442	HKCD-200/150/48	1478	2x315	8	1800
2100	HKCD-210/130/48	1425	HKCD-210/140/48	1463	HKCD-210/150/48	1501	2x315	8	1800
2200	HKCD-220/130/48	1445	HKCD-220/140/48	1485	HKCD-220/150/48	1524	2x315	8	1800
2300	HKCD-230/130/48	1465	HKCD-230/140/48	1506	HKCD-230/150/48	1547	2x315	8	1800
2400	HKCD-240/130/48	1479	HKCD-240/140/48	1521	HKCD-240/150/48	1563	2x315	8	1800
2500	HKCD-250/130/48	1631	HKCD-250/140/48	1674	HKCD-250/150/48	1717	2x315	10	2250
2600	HKCD-260/130/48	1657	HKCD-260/140/48	1702	HKCD-260/150/48	1747	2x315	10	2250
2700	HKCD-270/130/48	1671	HKCD-270/140/48	1717	HKCD-270/150/48	1763	2x315	10	2250
2800	HKCD-280/130/48	1698	HKCD-280/140/48	1745	HKCD-280/150/48	1792	2x315	10	2250
2900	HKCD-290/130/48	1711	HKCD-290/140/48	1760	HKCD-290/150/48	1808	2x315	10	2250

3000 mm and longer hoods are assembled from 2 hoods

STANDARD FEATURES

EFFECTIVELY CAPTURES CONDENSATE AND HEAT



Luminaires are optional



Condensate plates



Drain valve (internal thread G1/4)



Pressure port for fine-tuning extraction flow rate

LUMINAIRES

Plastic fluorescent luminaire



Hood Length L, mm	Code	Price, €
L < 1400	K-ESL-662x24x1	100
1400 ≤ L < 1700	K-ESL-1272x54x1	110
1700 ≤ L < 2700	K-ESL-1572x80x1	120
2700 ≤ L ≤ 2900	2 x K-ESL-1272x54x1	160

OPTIONAL FEATURES



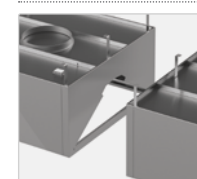
Exhaust adjustment damper

Code: Y-HO
Price: 90 €
Note: price per collar



Cover panels

Code: H00D-02.00 SB
Price/m²: 100 €



Connection for multiple hood assembly

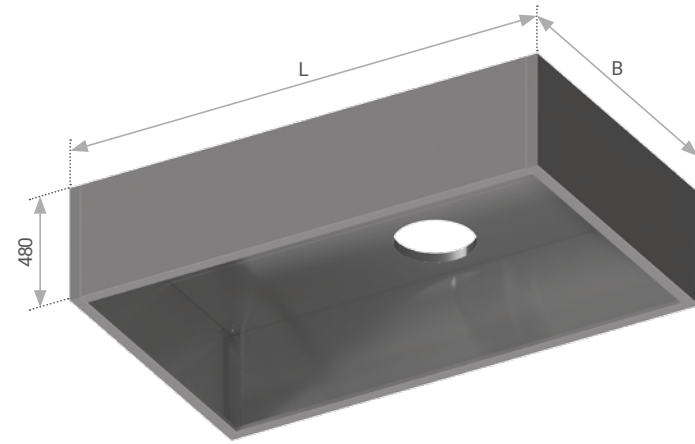
Code: A-HKCD-SK (left)
A-HKCD-SD (right)
Price: 84 €



Light switch

Code: A-HGJ
Price: 48 €

STANDARD FEATURES

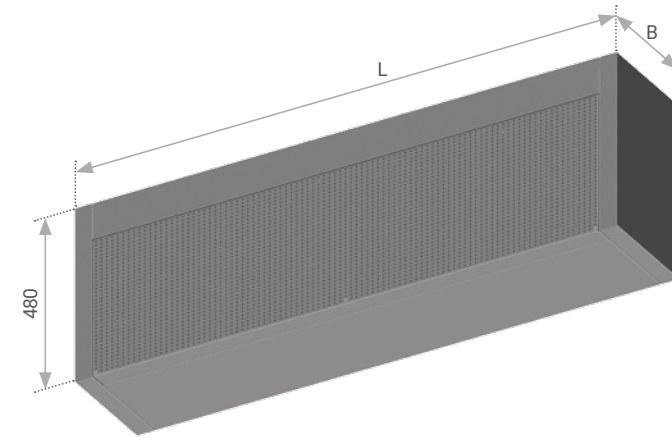


Information icon Different dimensions and configurations are available on request. Examples on page 6.50. Technical characteristics are provided on pages 6.36 - 6.45



Length L, mm	Width B, mm						Exhaust collar Ø, mm
	700		800		900		
	Model	Price, €	Model	Price, €	Model	Price, €	
600	HNPDC-60/70/48	329	HNPDC-60/80/48	340	HNPDC-60/90/48	348	315
700	HNPDC-70/70/48	339	HNPDC-70/80/48	350	HNPDC-70/90/48	359	315
800	HNPDC-80/70/48	349	HNPDC-80/80/48	360	HNPDC-80/90/48	370	315
900	HNPDC-90/70/48	359	HNPDC-90/80/48	370	HNPDC-90/90/48	381	315
1000	HNPDC-100/70/48	369	HNPDC-100/80/48	380	HNPDC-100/90/48	418	315
1100	HNPDC-110/70/48	378	HNPDC-110/80/48	417	HNPDC-110/90/48	429	315
1200	HNPDC-120/70/48	388	HNPDC-120/80/48	427	HNPDC-120/90/48	440	315
1300	HNPDC-130/70/48	398	HNPDC-130/80/48	437	HNPDC-130/90/48	451	315
1400	HNPDC-140/70/48	408	HNPDC-140/80/48	447	HNPDC-140/90/48	462	315
1500	HNPDC-150/70/48	418	HNPDC-150/80/48	457	HNPDC-150/90/48	473	315
1600	HNPDC-160/70/48	428	HNPDC-160/80/48	467	HNPDC-160/90/48	484	315
1700	HNPDC-170/70/48	438	HNPDC-170/80/48	477	HNPDC-170/90/48	495	315
1800	HNPDC-180/70/48	448	HNPDC-180/80/48	487	HNPDC-180/90/48	506	315
1900	HNPDC-190/70/48	458	HNPDC-190/80/48	497	HNPDC-190/90/48	517	315
2000	HNPDC-200/70/48	548	HNPDC-200/80/48	587	HNPDC-200/90/48	607	315

Length L, mm	Width B, mm								Exhaust collar Ø, mm
	1000		1100		1200		1300		
	Model	Price, €	Model	Price, €	Model	Price, €	Model	Price, €	
600	HNPDC-60/100/48	359	HNPDC-60/110/48	390	HNPDC-60/120/48	402	HNPDC-60/130/48	414	315
700	HNPDC-70/100/48	370	HNPDC-70/110/48	403	HNPDC-70/120/48	415	HNPDC-70/130/48	427	315
800	HNPDC-80/100/48	381	HNPDC-80/110/48	416	HNPDC-80/120/48	428	HNPDC-80/130/48	440	315
900	HNPDC-90/100/48	392	HNPDC-90/110/48	429	HNPDC-90/120/48	441	HNPDC-90/130/48	453	315
1000	HNPDC-100/100/48	430	HNPDC-100/110/48	442	HNPDC-100/120/48	453	HNPDC-100/130/48	464	315
1100	HNPDC-110/100/48	441	HNPDC-110/110/48	454	HNPDC-110/120/48	466	HNPDC-110/130/48	478	315
1200	HNPDC-120/100/48	452	HNPDC-120/110/48	467	HNPDC-120/120/48	479	HNPDC-120/130/48	491	315
1300	HNPDC-130/100/48	463	HNPDC-130/110/48	480	HNPDC-130/120/48	492	HNPDC-130/130/48	504	315
1400	HNPDC-140/100/48	474	HNPDC-140/110/48	493	HNPDC-140/120/48	505	HNPDC-140/130/48	517	315
1500	HNPDC-150/100/48	485	HNPDC-150/110/48	506	HNPDC-150/120/48	518	HNPDC-150/130/48	530	315
1600	HNPDC-160/100/48	496	HNPDC-160/110/48	519	HNPDC-160/120/48	531	HNPDC-160/130/48	543	315
1700	HNPDC-170/100/48	507	HNPDC-170/110/48	532	HNPDC-170/120/48	544	HNPDC-170/130/48	556	315
1800	HNPDC-180/100/48	518	HNPDC-180/110/48	545	HNPDC-180/120/48	557	HNPDC-180/130/48	569	315
1900	HNPDC-190/100/48	529	HNPDC-190/110/48	558	HNPDC-190/120/48	570	HNPDC-190/130/48	582	315
2000	HNPDC-200/100/48	620	HNPDC-200/110/48	648	HNPDC-100/120/48	660	HNPDC-100/130/48	672	315



i Different dimensions and configurations are available on request. Examples on page 6.50.
Technical characteristics are provided on pages 6.36 - 6.45

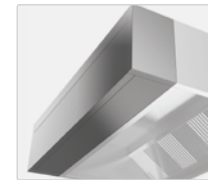
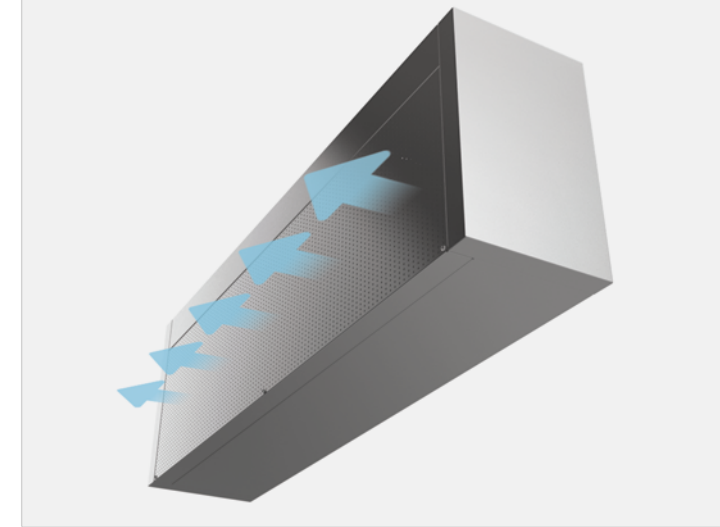


Length L, mm	Width B, mm		Supply collar Ø, mm
	Model	Price, €	
	300		
500	Z-HASP-50/30/48	354	250
600	Z-HASP-60/30/48	366	250
700	Z-HASP-70/30/48	377	250
800	Z-HASP-80/30/48	389	250
900	Z-HASP-90/30/48	401	250
1000	Z-HASP-100/30/48	420	250
1100	Z-HASP-110/30/48	444	2x250
1200	Z-HASP-120/30/48	468	2x250
1300	Z-HASP-130/30/48	490	2x250
1400	Z-HASP-140/30/48	514	2x250
1500	Z-HASP-150/30/48	538	2x250
1600	Z-HASP-160/30/48	561	2x250
1700	Z-HASP-170/30/48	585	2x250
1800	Z-HASP-180/30/48	608	2x250
1900	Z-HASP-190/30/48	631	2x250
2000	Z-HASP-200/30/48	671	2x250
2100	Z-HASP-210/30/48	694	3x250
2200	Z-HASP-220/30/48	718	3x250
2300	Z-HASP-230/30/48	741	3x250
2400	Z-HASP-240/30/48	764	3x250
2500	Z-HASP-250/30/48	788	3x250
2600	Z-HASP-260/30/48	812	3x250
2700	Z-HASP-270/30/48	835	3x250
2800	Z-HASP-280/30/48	858	3x250
2900	Z-HASP-290/30/48	882	3x250

3000 mm and longer plenums are assembled from 2 plenums.

STANDARD FEATURES

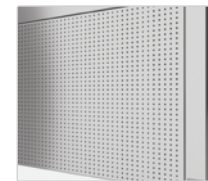
LOW VELOCITY LAMINAR FLOW AIR SUPPLY



Designed to be installed in front or on side of a hood



May also be used as a standalone air supply unit



Low velocity make-up air supply through perforated front panel



Easy installation - ready to mount on wall or ceiling



Hygienic design for easy cleaning

OPTIONAL FEATURES



Recessed LED luminaire

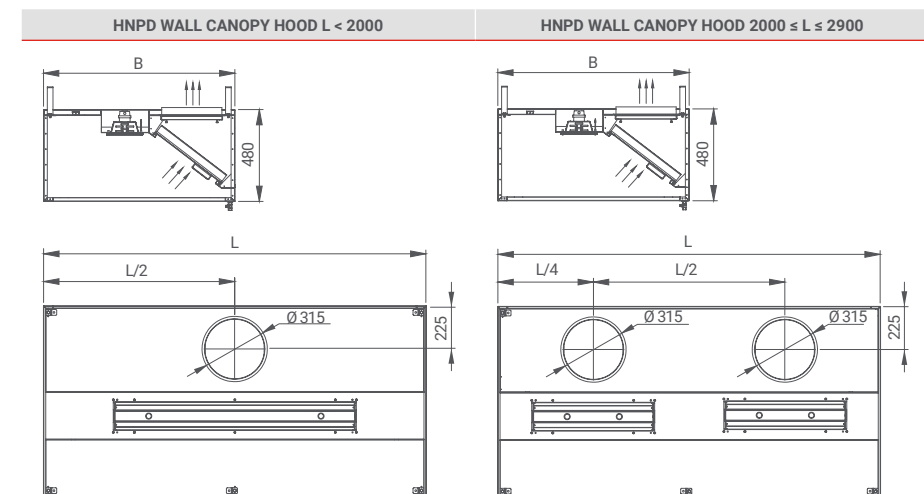
Code: Z-K-ELK
Price: Ask for price



Air supply adjustment damper

Code: Z-Y-HA
Price: 70 €
Note: price per collar

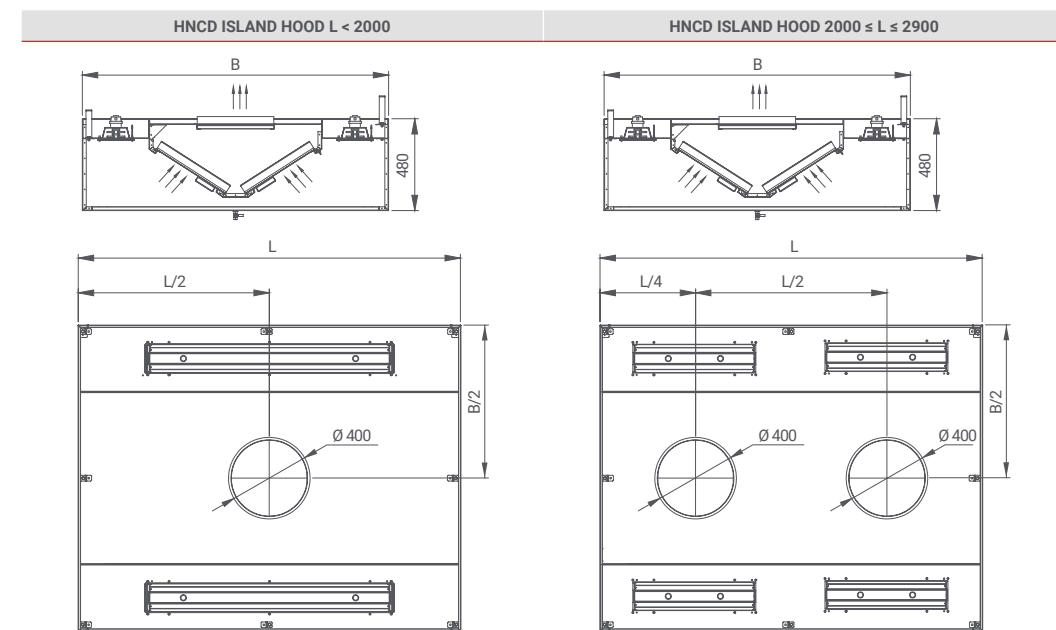
HNPD WALL CANOPY HOODS



HNPD Weight, kg	Width B, mm									
	800	900	1000	1100	1200	1300	1400	1500	1600	
800	46.4	47.6	48.8	50.0	51.0	52.2	53.4	54.5	55.6	
900	47.8	49.1	50.4	51.7	52.9	54.2	55.5	56.8	58.1	
1000	52.9	54.3	55.7	57.1	58.5	59.9	61.3	62.7	64.1	
1100	54.3	55.8	57.3	58.8	60.4	61.9	63.4	65.0	66.6	
1200	55.4	57.1	58.8	60.5	62.2	63.9	65.6	67.3	69.0	
1300	56.6	58.5	60.4	62.3	64.1	65.9	67.7	69.6	71.5	
1400	58.0	60.0	62.0	64.0	65.9	67.9	69.9	71.9	73.9	
1500	63.1	65.2	67.3	69.4	71.5	73.6	75.7	77.8	79.9	
1600	64.2	66.5	68.8	71.1	73.4	75.6	77.9	80.1	82.3	
1700	65.6	68.0	70.4	72.8	75.2	77.6	80.0	82.4	84.8	
1800	67.0	69.5	72.0	74.5	77.1	79.6	82.2	84.7	87.2	
1900	68.2	70.9	73.6	76.3	78.9	81.6	84.3	87.0	89.7	
2000	73.0	75.9	78.8	81.7	84.5	87.3	90.2	93.0	95.8	
2100	74.4	77.4	80.4	83.4	86.4	89.3	92.3	95.3	98.3	
2200	75.8	78.9	82.0	85.1	88.2	91.3	94.4	97.6	100.8	
2300	77.2	80.4	83.6	86.8	90.1	93.3	96.6	99.9	103.2	
2400	78.3	81.7	85.1	88.5	91.9	95.3	98.7	102.1	105.5	
2500	83.2	86.8	90.4	94.0	97.5	101.0	104.6	108.1	111.6	
2600	84.6	88.3	92.0	95.7	99.4	103.0	106.7	110.4	114.1	
2700	86.0	89.8	93.6	97.4	101.2	105.0	108.9	112.7	116.5	
2800	87.1	91.1	95.1	99.1	103.1	107.1	111.0	115.0	119.0	
2900	88.5	92.6	96.7	100.8	104.9	109.1	113.2	117.3	121.4	

Note: weights exclude any accessories

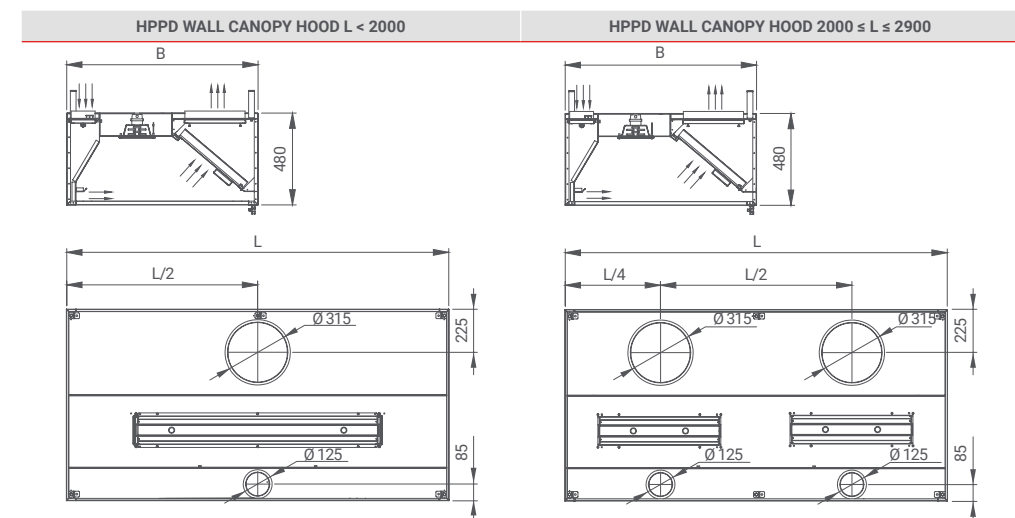
HNCD ISLAND HOODS



HNCD Weight, kg	Width B, mm				
	1600	1800	2000	2200	2400
1400	95.8	98.1	100.4	102.7	105.0
1500	105.8	108.4	111.0	113.5	116.1
1600	108.4	111.2	114.1	117.0	119.8
1700	111.0	114.1	117.3	120.4	123.5
1800	113.5	117.0	120.4	123.8	127.3
1900	116.1	119.8	123.6	127.3	131.0
2000	126.1	130.1	134.1	138.1	142.1
2100	128.7	133.0	137.2	141.5	145.8
2200	131.3	135.8	140.4	145.0	149.5
2300	133.8	138.7	143.5	148.4	153.3
2400	136.4	141.6	146.7	151.8	157.0
2500	146.4	151.8	157.2	162.7	168.1
2600	149.0	154.7	160.4	166.1	171.8
2700	151.5	157.5	163.5	169.5	175.5
2800	154.1	160.4	166.7	173.0	179.3
2900	156.7	163.3	169.8	176.4	183.0

Note: weights exclude any accessories

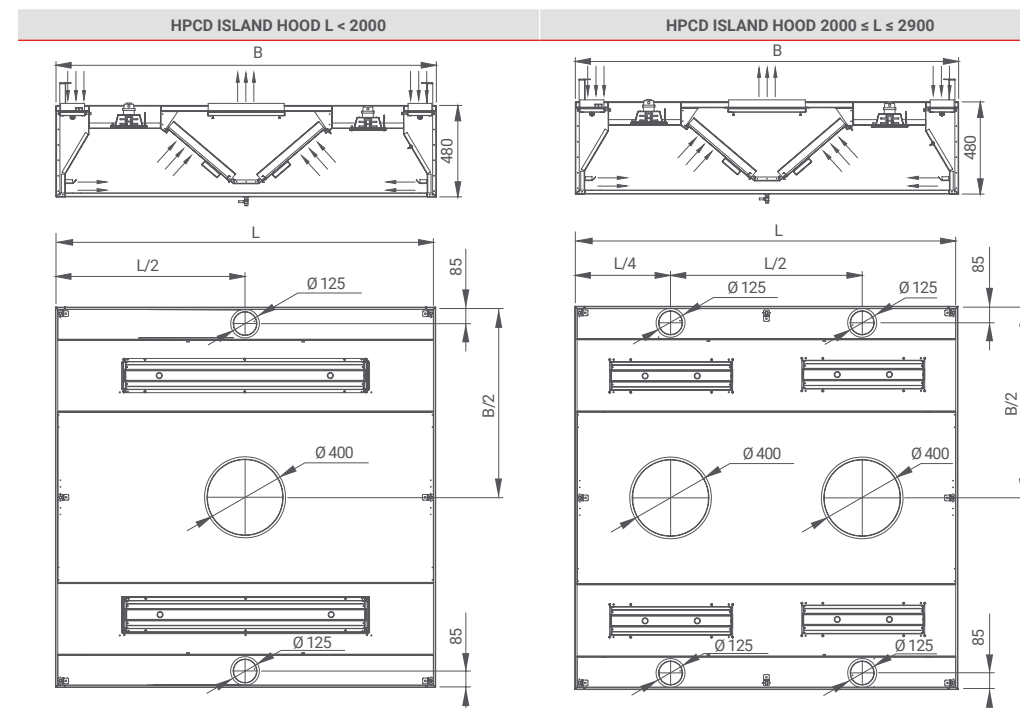
HPPD WALL CANOPY HOODS



HPPD Weight, kg	Width B, mm					
	1000	1100	1200	1300	1400	1600
1000	59.5	60.9	62.3	63.7	65.1	66.5
1100	61.9	63.4	65.0	66.5	68.0	69.6
1200	64.2	65.9	67.6	69.3	71.0	72.7
1300	66.6	68.5	70.3	72.1	73.9	75.8
1400	69.0	71.0	72.9	74.9	76.9	78.9
1500	75.1	77.2	79.3	81.4	83.5	85.6
1600	77.4	79.7	82.0	84.2	86.5	88.7
1700	79.8	82.2	84.6	87.0	89.4	91.8
1800	82.2	84.7	87.3	89.8	92.4	94.9
1900	84.6	87.3	89.9	92.6	95.3	98.0
2000	90.6	93.5	96.3	99.1	102.0	104.8
2100	93.0	96.0	99.0	101.9	104.9	107.9
2200	95.4	98.5	101.6	104.7	107.8	111.0
2300	97.8	101.0	104.3	107.5	110.8	114.1
2400	100.1	103.5	106.9	110.3	113.7	117.1
2500	106.2	109.8	113.3	116.8	120.4	123.9
2600	108.6	112.3	116.0	119.6	123.3	127.0
2700	111.0	114.8	118.6	122.4	126.3	130.1
2800	113.3	117.3	121.3	125.3	129.2	133.2
2900	115.7	119.8	123.9	128.1	132.2	136.3

Note: weights exclude any accessories

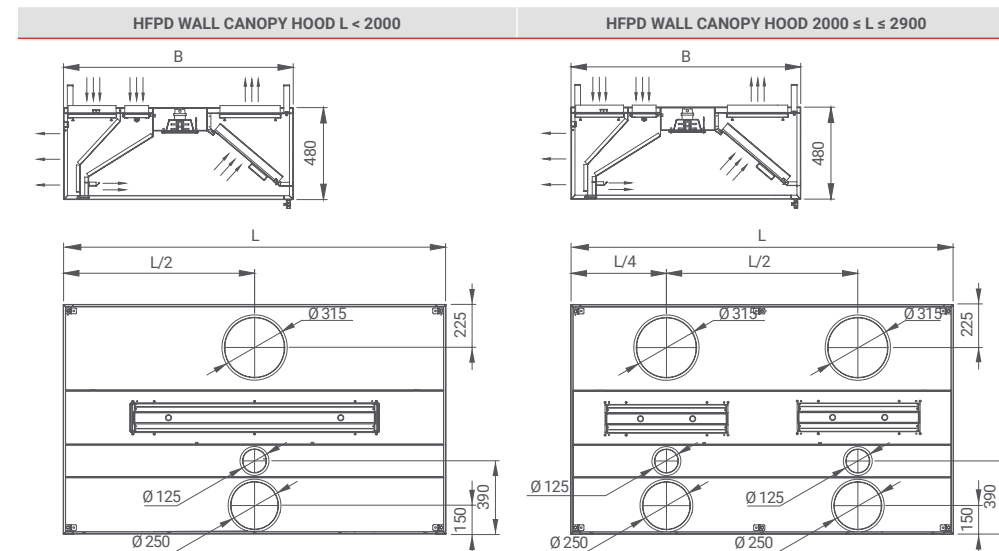
HPCD ISLAND HOODS



HPCD Weight, kg	Width B, mm			
	2000	2200	2400	2800
1400	115.6	118.0	120.4	122.8
1500	127.0	129.6	132.3	135.0
1600	130.9	133.9	136.8	139.8
1700	134.9	138.1	141.3	144.6
1800	138.8	142.3	145.9	149.4
1900	142.8	146.6	150.4	154.2
2000	154.1	158.2	162.3	166.4
2100	158.0	162.4	166.8	171.2
2200	162.0	166.7	171.3	176.0
2300	165.9	170.9	175.0	180.8
2400	169.9	175.1	180.4	185.6
2500	181.2	186.8	192.3	197.8
2600	185.2	191.0	196.8	202.6
2700	189.1	195.2	201.3	207.4
2800	193.1	199.5	205.9	212.2
2900	197.0	203.7	210.4	217.1

Note: weights exclude any accessories

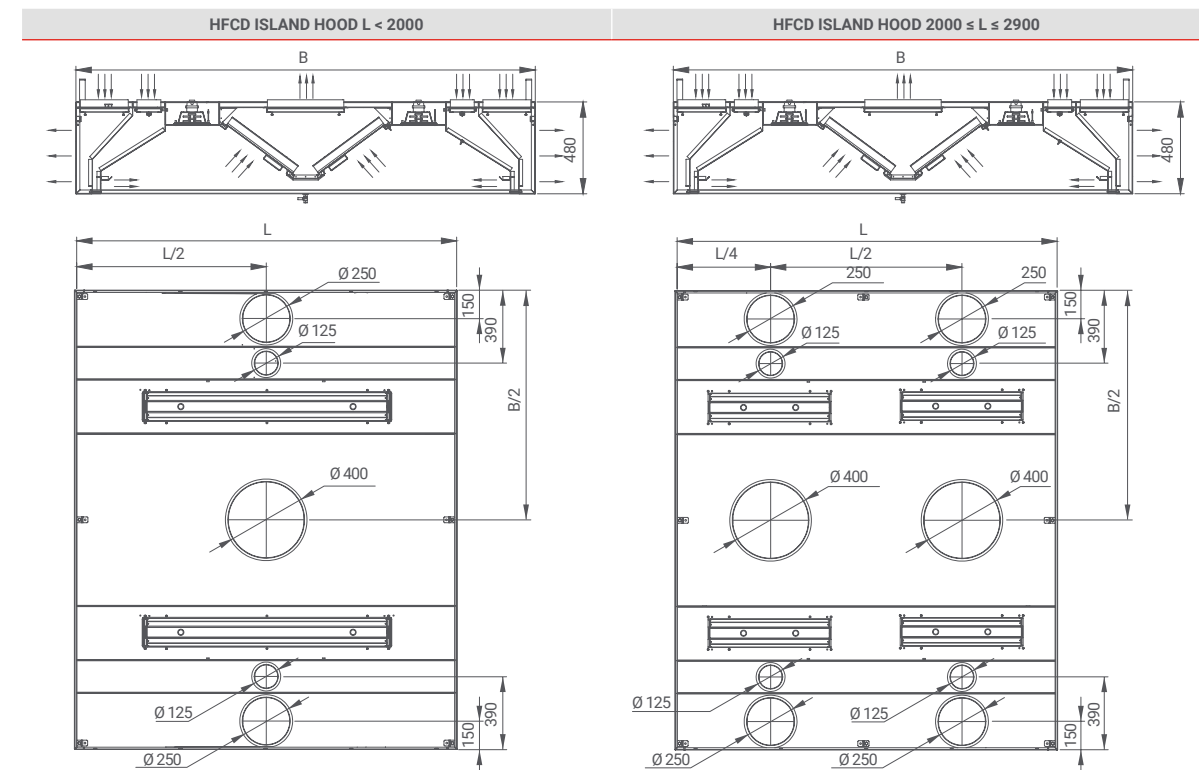
HFPD WALL CANOPY HOODS



HFPD Weight, kg	Width B, mm				
	1200	1300	1400	1500	1700
1000	70.4	71.8	73.2	74.6	77.4
1100	73.6	75.1	76.6	78.2	79.7
1200	76.7	78.4	80.1	81.8	83.5
1300	79.9	81.7	83.5	85.4	87.2
1400	83.0	85.0	87.0	89.0	90.9
1500	89.9	92.0	94.1	96.2	98.4
1600	93.1	95.3	97.6	99.8	102.1
1700	96.2	98.6	101.0	103.4	105.8
1800	99.4	101.9	104.5	107.0	109.6
1900	102.5	105.2	107.9	110.6	113.3
2000	109.4	112.2	115.1	117.9	120.7
2100	112.6	115.5	118.5	121.5	124.4
2200	115.7	118.8	121.9	125.1	128.2
2300	118.9	122.1	125.4	128.7	131.9
2400	122.0	125.4	128.8	132.2	135.6
2500	128.9	132.4	136.0	139.5	143.1
2600	132.1	135.7	139.4	143.1	146.8
2700	135.2	139.0	142.9	146.7	150.5
2800	138.4	142.4	146.3	150.3	154.3
2900	141.5	145.7	149.8	153.9	158.0

Note: weights exclude any accessories

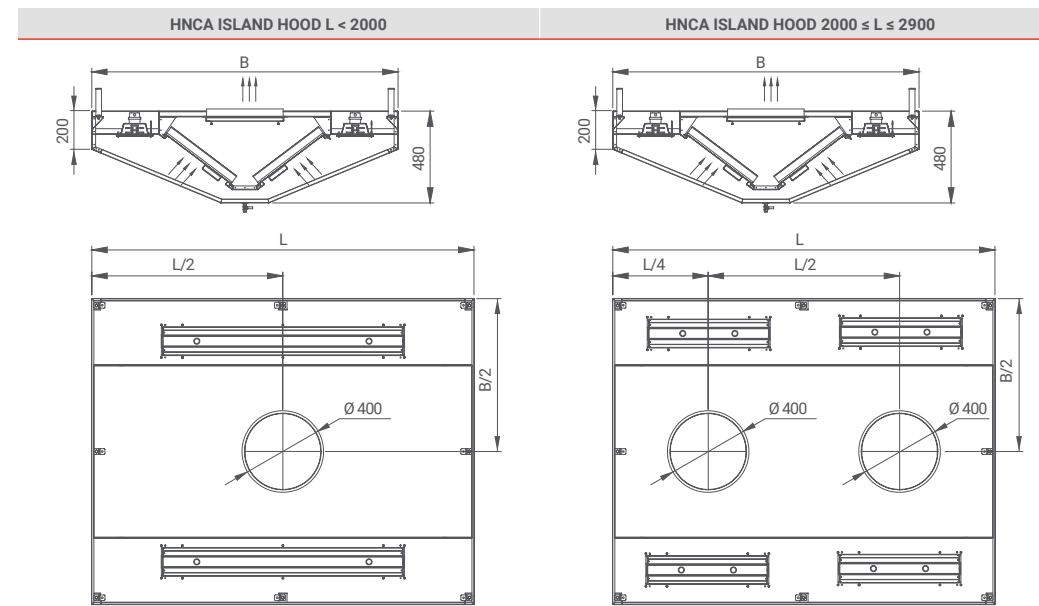
HFCD ISLAND HOODS



HFCD Weight, kg	Width B, mm		
	2400	2600	2800
1400	144.7	147.1	149.5
1500	157.9	160.6	163.2
1600	163.7	166.7	169.6
1700	169.5	172.8	176.0
1800	175.4	178.9	182.4
1900	181.2	185.0	188.8
2000	194.4	198.5	202.6
2100	200.2	204.6	209.0
2200	206.0	210.7	215.4
2300	211.9	216.8	221.8
2400	217.7	222.9	228.2
2500	230.9	236.4	242.0
2600	236.7	242.5	248.3
2700	242.5	248.6	254.7
2800	248.4	254.7	261.1
2900	254.2	260.9	267.5

Note: weights exclude any accessories

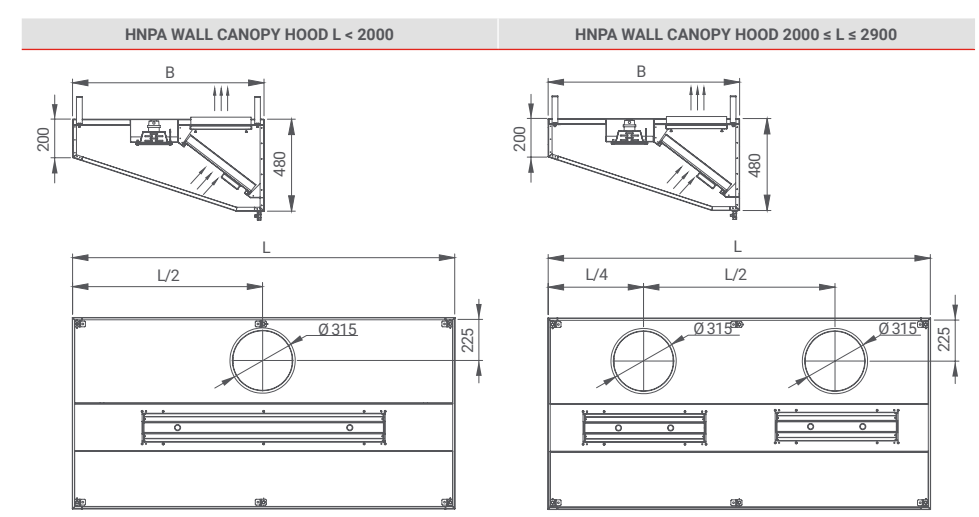
HNCA ISLAND HOODS FOR LOW CEILING



HNCA Weight, kg	Width B, mm			
	1400	1600	1800	2000
1400	87.9	89.8	91.8	93.8
1500	96.9	99.2	101.5	103.8
1600	98.6	101.2	103.7	106.3
1700	100.3	103.2	106.0	108.9
1800	102.0	105.1	108.3	111.4
1900	103.7	107.1	110.5	114.0
2000	112.8	116.5	120.2	123.9
2100	114.5	118.5	122.5	126.4
2200	116.2	120.5	124.7	129.0
2300	117.9	122.4	127.0	131.5
2400	119.6	124.4	129.3	134.1
2500	128.7	133.8	138.9	144.0
2600	130.3	135.8	141.2	146.6
2700	132.0	137.7	143.4	149.1
2800	133.7	139.7	145.7	151.7
2900	135.4	141.7	148.0	154.2

Note: weights exclude any accessories

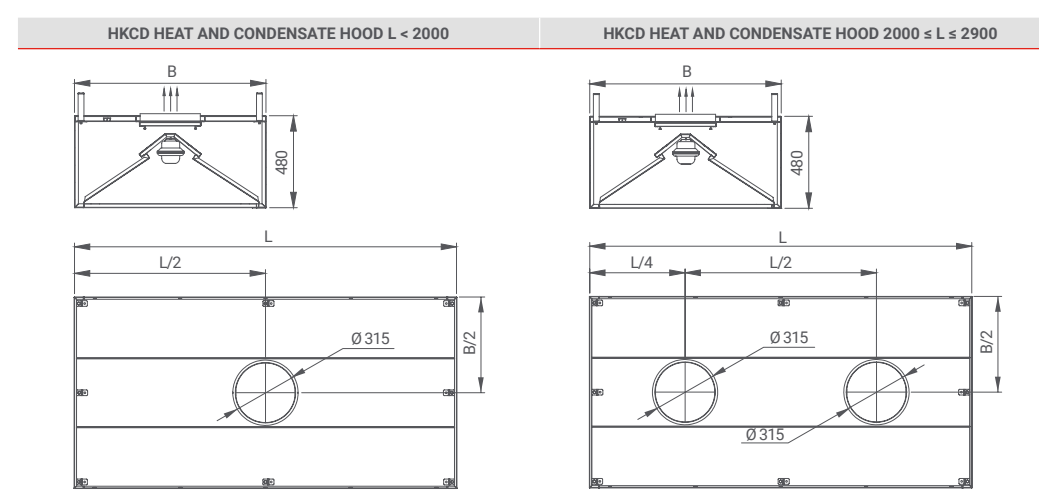
HNPA WALL CANOPY HOODS FOR LOW CEILING



HNPA Weight, kg	Width B, mm																							
	700	800	900	1000	1100	1200	1300	1400	1500	1600	1700	1800	1900	2000	2100	2200	2300	2400	2500	2600	2700	2800	2900	
700	40.5	41.4	42.4	43.4	44.3	45.3	46.3	47.3	48.3	49.3	50.3	51.3	52.3	53.3	54.3	55.3	56.3	57.3	58.3	59.3	60.3	61.3	62.3	63.3
800	41.6	42.7	43.8	45.0	46.1	47.2	48.3	49.4	50.5	51.6	52.7	53.8	54.9	56.0	57.1	58.2	59.3	60.4	61.5	62.6	63.7	64.8	65.9	67.0
900	42.8	44.0	45.3	46.5	47.8	49.0	50.2	51.4	52.6	53.8	55.0	56.2	57.4	58.6	59.8	61.0	62.2	63.4	64.6	65.8	67.0	68.2	69.4	70.6
1000	47.6	49.0	50.4	51.8	53.2	54.6	56.0	57.4	58.8	60.2	61.6	63.0	64.4	65.8	67.2	68.6	70.0	71.4	72.8	74.2	75.6	77.0	78.4	79.8
1100	48.7	50.3	51.8	53.4	54.9	56.5	58.1	59.7	61.2	62.8	64.4	65.9	67.5	69.0	70.6	72.1	73.7	75.2	76.7	78.2	79.7	81.2	82.7	84.2
1200	49.9	51.6	53.3	54.9	56.6	58.3	60.0	61.7	63.4	65.1	66.8	68.5	70.2	71.9	73.6	75.3	77.0	78.7	80.4	82.1	83.8	85.5	87.2	88.9
1300	51.0	52.9	54.7	56.5	58.4	60.2	62.0	63.8	65.6	67.4	69.2	71.0	72.8	74.6	76.4	78.2	80.0	81.8	83.6	85.4	87.2	89.0	90.8	92.6
1400	52.2	54.2	56.1	58.1	60.1	62.0	63.9	65.8	67.7	69.6	71.5	73.4	75.3	77.2	79.1	81.0	82.9	84.8	86.7	88.6	90.5	92.4	94.3	96.2
1500	57.0	59.1	61.3	63.4	65.5	67.6	69.7	71.8	73.9	76.0	78.1	80.2	82.3	84.4	86.5	88.6	90.7	92.8	94.9	97.0	99.1	101.2	103.3	105.4
1600	58.2	60.4	62.7	64.9	67.2	69.5	71.8	74.1	76.4	78.7	81.0	83.3	85.6	87.9	90.2	92.5	94.8	97.1	99.4	101.7	104.0	106.3	108.6	110.9
1700	59.3	61.7	64.1	66.5	68.9	71.3	73.7	76.1	78.5	80.9	83.3	85.7	88.1	90.5	92.9	95.3	97.7	100.1	102.5	104.9	107.3	109.7	112.1	114.5
1800	60.5	63.0	65.6	68.1	70.6	73.2	75.8	78.4	80.9	83.4	85.9	88.4	90.9	93.4	95.9	98.4	100.9	103.4	105.9	108.4	110.9	113.4	115.9	118.4
1900	61.6	64.3	67.0	69.7	72.4	75.0	77.6	80.2	82.8	85.4	88.0	90.6	93.2	95.8	98.4	101.0	103.6	106.2	108.8	111.4	114.0	116.6	119.2	121.8
2000	66.5	69.3	72.1	74.9	77.8	80.6	83.4	86.2	89.0	91.8	94.6	97.4	100.2	103.0	105.8	108.6	111.4	114.2	117.0	119.8	122.6	125.4	128.2	131.0
2100	67.6	70.6	73.5	76.5	79.5	82.5	85.5	88.5	91.5	94.5	97.5	100.5	103.5	106.5	109.5	112.5	115.5	118.5	121.5	124.5	127.5	130.5	133.5	136.5
2200	68.7	71.9	75.0	78.1	81.2	84.3	87.4	90.5	93.6	96.7	99.8	102.9	106.0	109.1	112.2	115.3	118.4	121.5	124.6	127.7	130.8	133.9	137.0	140.1
2300	69.9	73.2	76.4	79.7	82.9	86.2	89.5	92.8	96.1	99.4	102.7	106.0	109.3	112.6	115.9	119.2	122.5	125.8	129.1	132.4	135.7	139.0	142.3	145.6
2400	71.0	74.4	77.8	81.2	84.6	88.0	91.4	94.8	98.2	101.6	105.0	108.4	111.8	115.2	118.6	122.0	125.4	128.8	132.2	135.6	139.0	142.4	145.8	149.2
2500	75.9	79.4	83.0	86.5	90.1	93.6	97.1	100.6	104.1	107.6	111.1	114.6	118.1	121.6	125.1	128.6	132.1	135.6	139.1	142.6	146.1	149.6	153.1	156.6
2600	77.0	80.7	84.4	88.1	91.8	95.5	99.2	102.9	106.6	110.3	114.0	117.7	121.4	125.1	128.8	132.5	136.2	139.9	143.6	147.3	151.0	154.7	158.4	162.1
2700	78.2	82.0	85.8	89.7	93.5	97.3	101.1	104.9	108.7	112.5	116.3	120.1	123.9	127.7	131.5	135.3	139.1	142.9	146.7	150.5	154.3	158.1	161.9	165.7
2800	79.3	83.3	87.3	91.2	95.2	99.2	103.2	107.2	111.2	115.2	119.2	123.2	127.2	131.2	135.2	139.2	143.2	147.2	151.2	155.2	159.2	163.2	167.2	171.2
2900	80.5	84.6	88.7	92.8	96.9	101.0	105.1	109.2	113.3	117.4	121.5	125.6	129.7	133.8	137.9	142.0	146.1	150.2	154.3	158.4	162.5	166.6	170.7	174.8
2900	80.5	84.6	88.7	92.8	96.9	101.0	105.1	109.2	113.3	117.4	121.5	125.6	129.7	133.8	137.9	142.0	146.1	150.2	154.3	158.4	162.5	166.6	170.7	174.8

Note: weights exclude any accessories

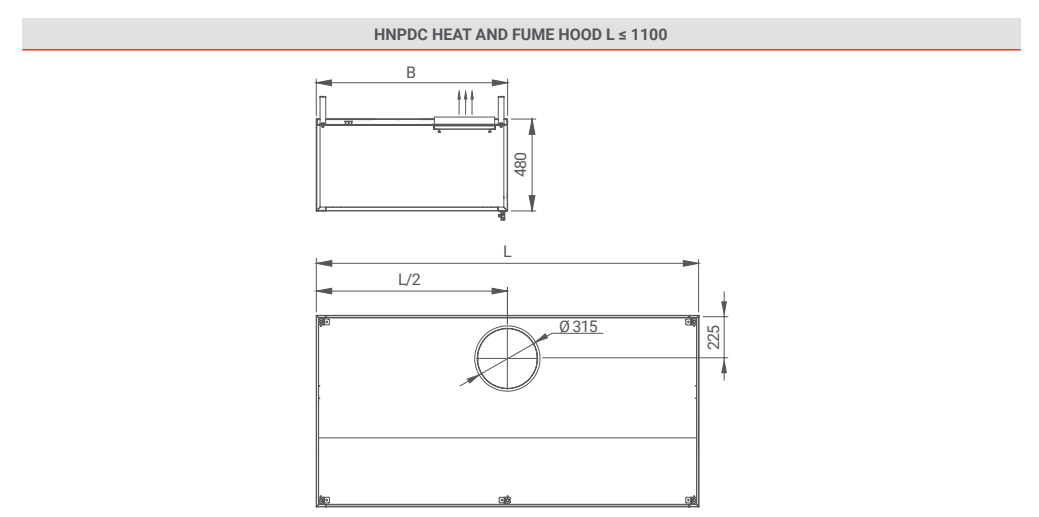
HKCD HEAT AND CONDENSATE HOODS WITH PLATES



HKCD Weight, kg	Width B, mm						
	1000	1100	1200	1300	1400	1500	1600
1000	51.2	53.2	55.2	57.2	59.2	61.2	63.2
1100	52.5	54.8	57.1	59.4	61.7	64.0	66.3
1200	53.9	56.4	59.0	61.6	64.1	66.7	69.2
1300	55.2	58.0	60.9	63.8	66.6	69.5	72.4
1400	56.5	59.7	62.8	65.9	69.1	72.2	75.3
1500	57.8	61.3	64.7	68.1	71.6	75.0	78.4
1600	59.2	62.9	66.6	70.3	74.0	77.7	81.4
1700	60.5	64.5	68.5	72.5	76.5	80.5	84.5
1800	61.8	66.1	70.4	74.7	79.0	83.3	87.6
1900	63.2	67.7	72.3	76.9	81.4	85.9	90.4
2000	64.5	69.3	74.2	79.1	83.9	88.8	93.7
2100	65.8	71.0	76.1	81.2	86.4	91.5	96.6
2200	67.1	72.6	78.0	83.4	88.9	94.3	99.7
2300	68.5	74.2	79.9	85.6	91.3	97.0	102.7
2400	69.8	75.8	81.8	87.8	93.8	99.8	105.8
2500	71.1	77.4	83.7	90.0	96.3	102.6	108.9
2600	72.5	79.0	85.6	92.2	98.7	105.3	111.4
2700	73.8	80.6	87.5	94.4	101.2	108.1	114.2
2800	75.1	82.3	89.4	96.5	103.7	110.8	117.9
2900	76.4	83.9	91.3	98.7	106.2	113.6	121.0

Note: weights exclude any accessories

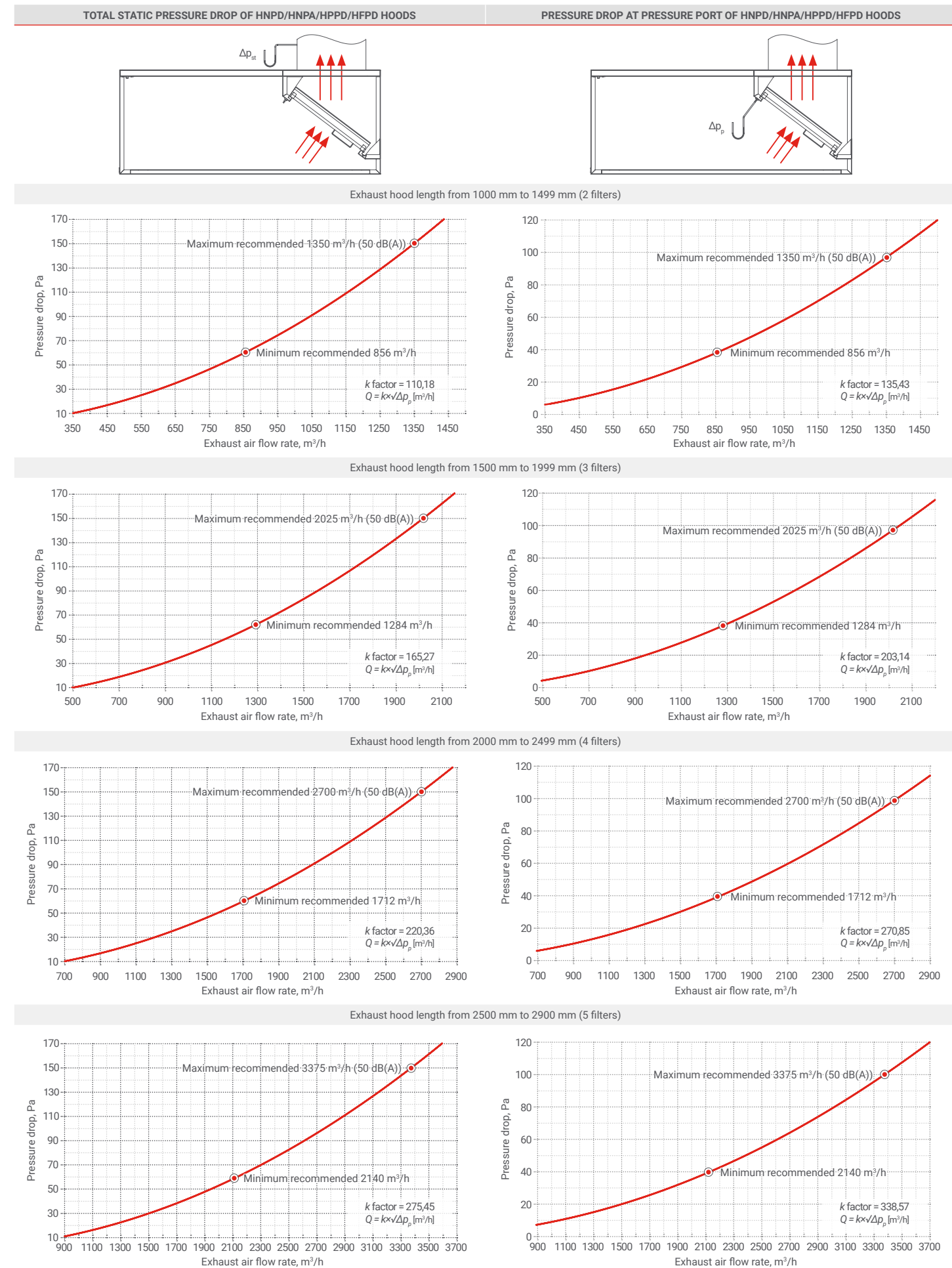
HNPDC HEAT AND FUME HOODS WITHOUT FILTERS



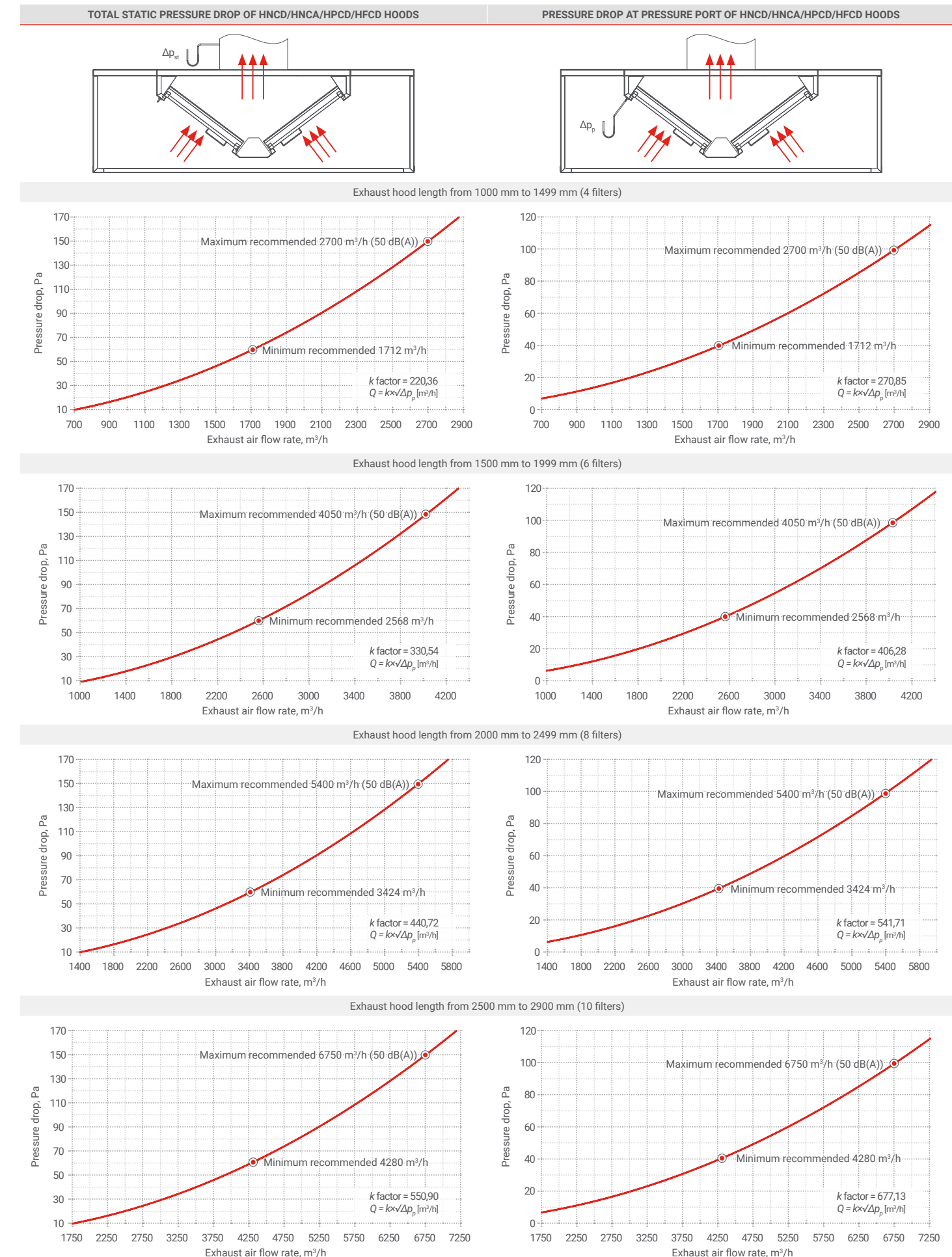
HNPDC Weight, kg	Width B, mm						
	700	800	900	1000	1100	1200	1300
600	14.5	15.5	16.5	17.5	18.5	19.5	20.5
700	15.4	16.6	17.7	18.9	20.1	21.2	22.3
800	16.4	17.7	19.0	20.3	21.6	22.9	24.2
900	17.4	18.8	20.3	21.7	23.1	24.6	26.1
1000	18.3	19.9	21.5	23.1	24.7	26.3	27.9
1100	19.3	21.0	22.8	24.5	26.2	28.0	29.8
1200	20.2	22.1	24.0	25.9	27.8	29.7	31.6
1300	21.2	23.2	25.3	27.3	29.3	31.4	33.5
1400	22.2	24.3	26.6	28.7	30.8	33.1	35.4
1500	23.1	25.4	27.8	30.1	32.4	34.8	37.2
1600	24.1	26.5	29.1	31.5	33.9	36.5	39.1
1700	25.0	27.6	30.3	32.9	35.5	38.2	40.9
1800	26.0	28.7	31.6	34.3	37.0	39.9	42.8
1900	27.0	29.8	32.9	35.7	38.5	41.6	44.7
2000	27.9	30.9	34.1	37.1	40.1	43.3	46.5

Note: weights exclude any accessories

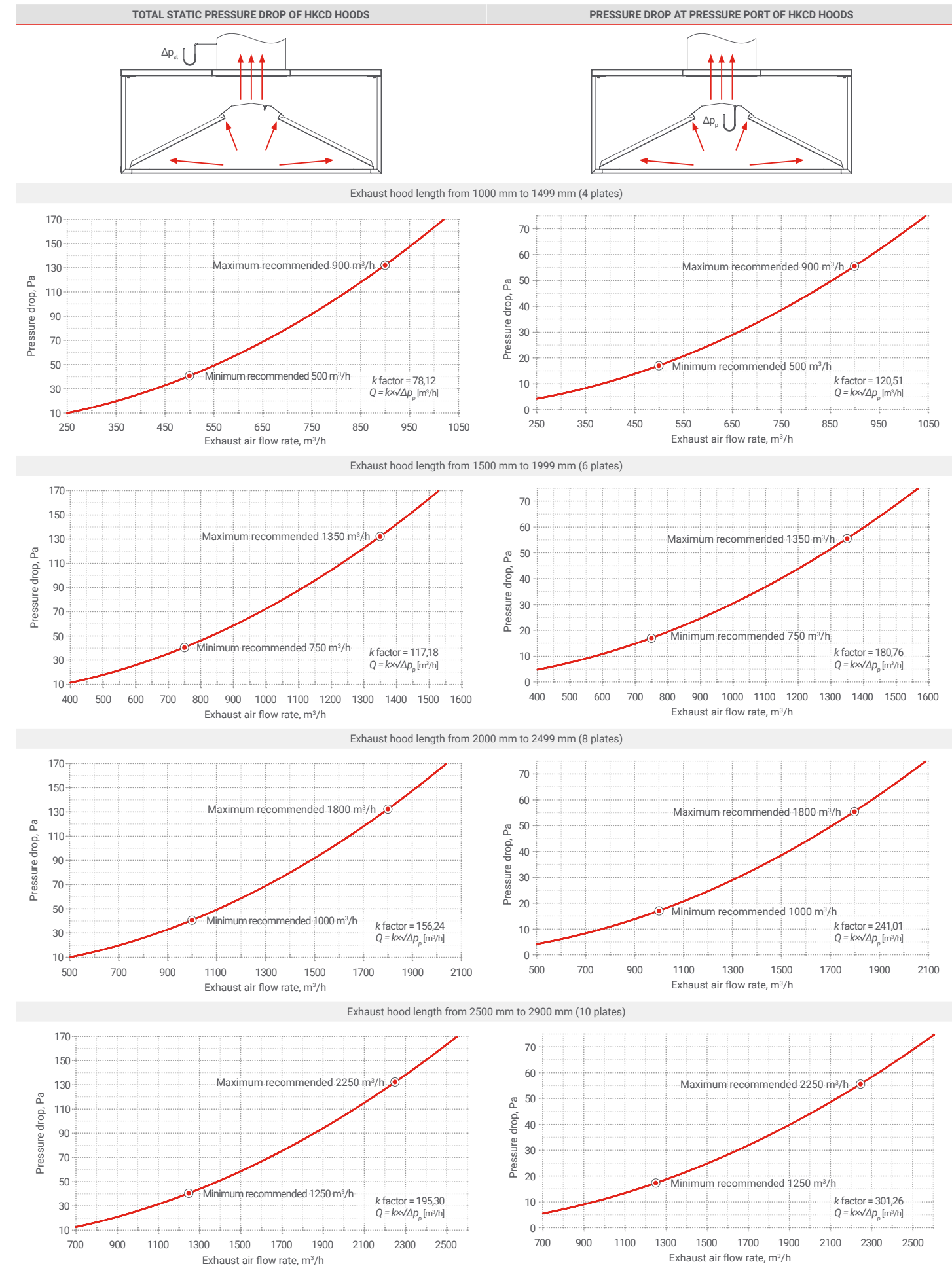
EXHAUST PRESSURE DROP CHARACTERISTICS OF WALL CANOPY HOODS



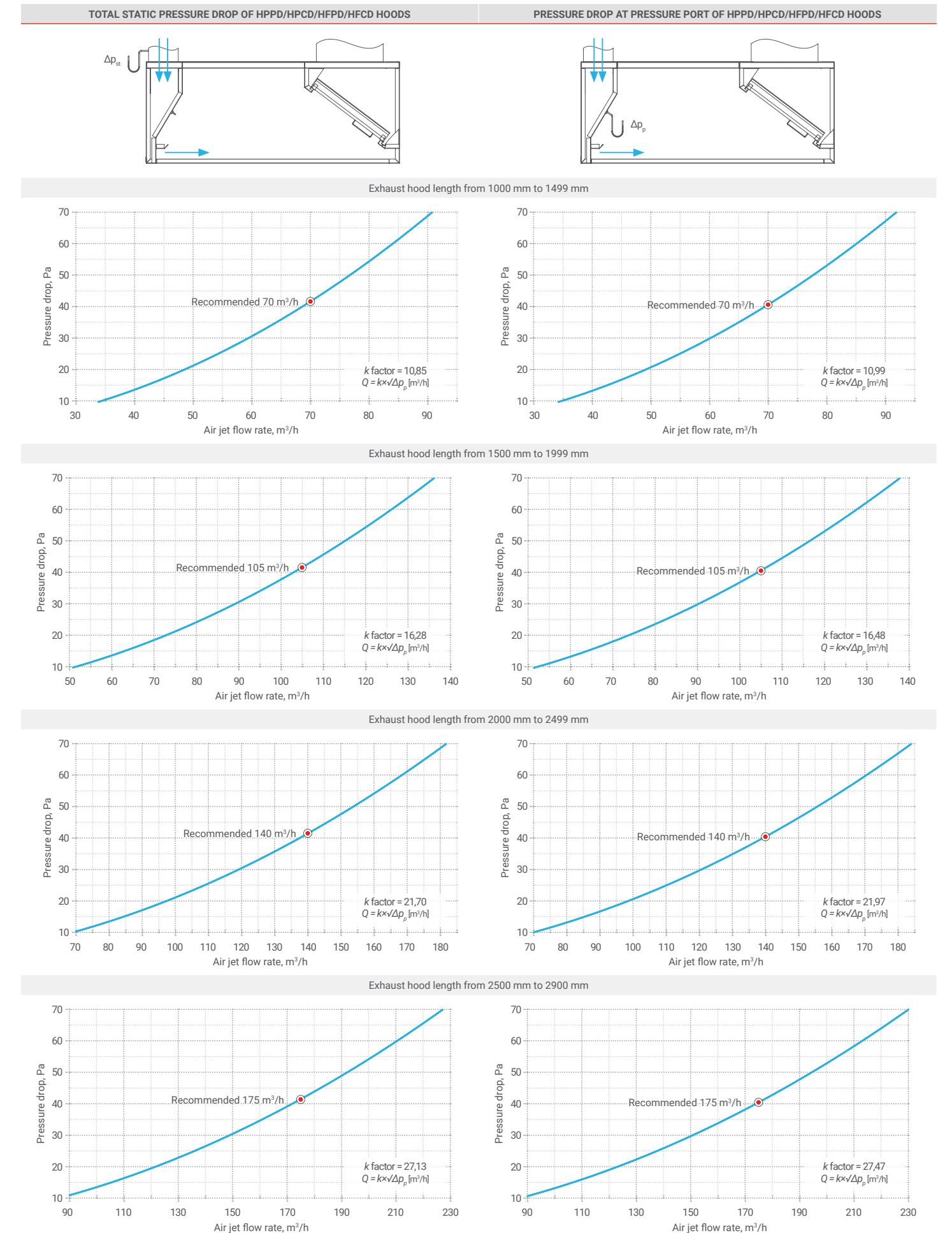
EXHAUST PRESSURE DROP CHARACTERISTICS OF ISLAND HOODS



i PRESSURE DROP CHARACTERISTICS OF HEAT AND CONDENSATE HOODS

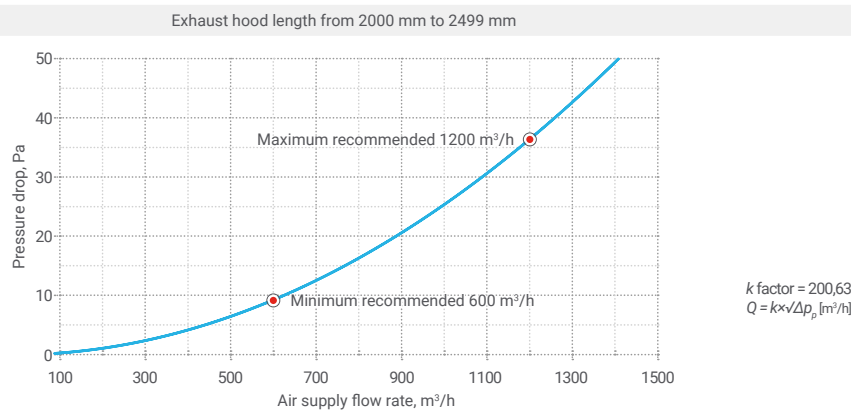
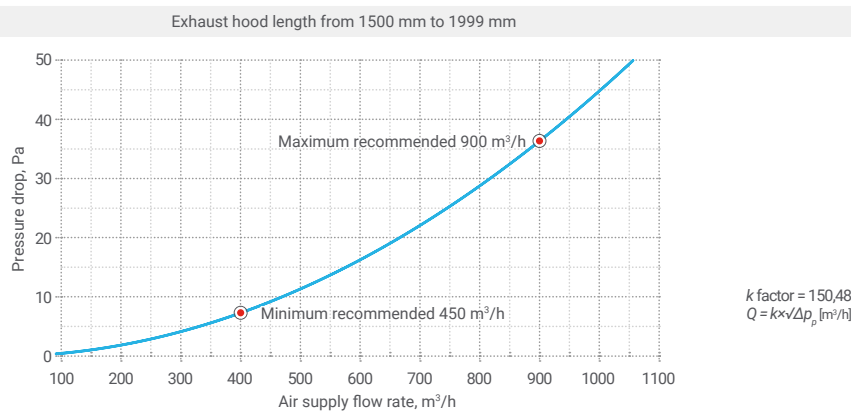
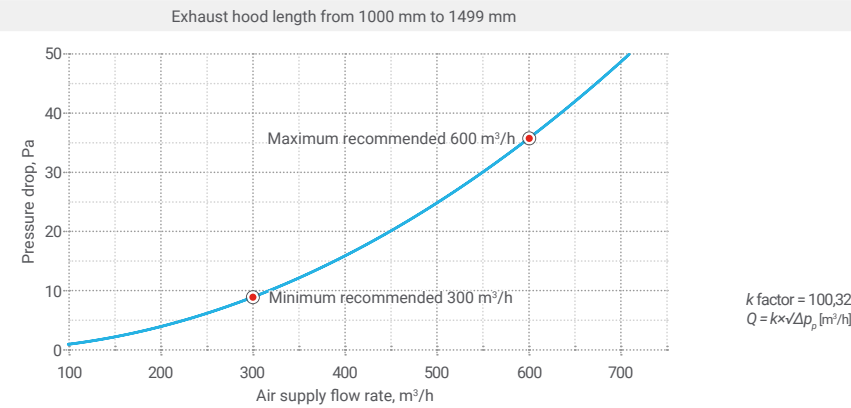
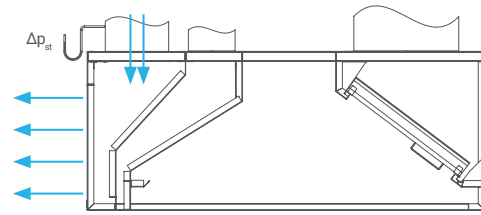


i AIR JET PRESSURE DROP CHARACTERISTICS

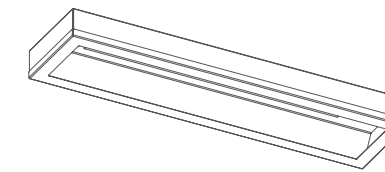


AIR SUPPLY PRESSURE DROP CHARACTERISTICS

TOTAL STATIC PRESSURE DROP OF HFPD/HFCD HOODS

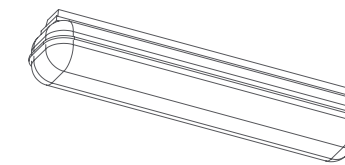


LUMINAIRE SPECIFICATIONS



Recessed LED luminaire

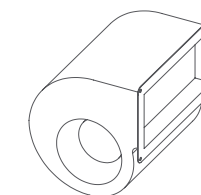
Code:	K-ELK-610-20W	K-ELK-1210-40W	K-ELK-1510-55W
Power:	20 W	40 W	55 W
Weight:	7,3 kg	14,3 kg	17,6 kg
Colour temperature:	4000 K warm white		
Protection class:	IP65		
Lamp quantity in luminaire:	2	4	5



Plastic fluorescent luminaire

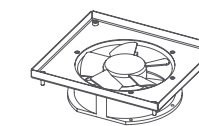
Code:	K-ESL-662x24x1	K-ESL-1272x54x1	K-ESL-1572x80x1
Power:	28 W	58 W	85 W
Weight:	1 kg	2,3 kg	2,6 kg
Colour temperature:	3000 K warm white		
Protection class:	IP66		
Lamp quantity in luminaire:	1		

FAN SPECIFICATIONS



Integrated exhaust fan

Code:	A-HGV
Input:	1,24 A
Power:	285 W
Voltage:	230 V
Air flow:	970 m³/h
Noise:	Over 70 dB(A)



Integrated air jet fan

Code:	Z-FAN
Input:	0,11 A
Power:	25 W
Voltage:	230 V
Air flow:	130 m³/h

Quantity of fans

Hood Length L, mm	Fan quantity for wall canopy hoods
L < 1500	1
1500 ≤ L < 2500	2
2500 ≤ L ≤ 2900	3

Note: not recommended for use in high-grease environments

Quantity of fans

Hood Length L, mm	Fan quantity for wall canopy hoods	Fan quantity for island hoods
L < 1500	1	2
1500 ≤ L ≤ 2900	2	4

i NOVAMETA STANDARD TERMS

Applicability

These Standard Terms ("Terms") apply to all products supplied directly by Novameta to its distributors.

Validity of quotations

Quotations are valid for 90 days unless otherwise explicitly stated in the individual quotation. Not responsible for misprints.

Delivery terms

Provided in the proforma invoice.

In case of ex-works (INCOTERMS 2010) Novameta shall not be liable for delays and the distributor shall not be permitted to terminate the purchase due to delays unless agreed to in writing.

Payment terms

Provided in the proforma invoice.

If a higher credit limit is necessary, security is mandatory. Novameta may reduce a credit limit at any time if considered appropriate by Novameta.

Storage terms

Provided in the proforma invoice.

Retention of Title

Novameta shall retain title in all products and components sold to the distributor until the distributor has paid for the products in full (including transportation and packaging costs).

Warranty terms

Novameta provides a Manufacturer's warranty for all of the equipment against defects in materials and workmanship for a period of 1 year from the date of invoicing of the defective product or component to the distributor. Manufacturer undertakes to replace all inferior parts to proper quality parts or materials. In case of a fault, a properly filled claim is required and must contain all essential information relative to the fault. Faulty parts shall be returned to Manufacturer for further inspection.

Extended warranty

The extended warranty is solely applicable to certain equipment (indicated in the price list). The extended warranty costs extra of the item's list price. Standard warranty terms apply.

Warranty exclusions and limitations of liability

The warranty in these Terms shall be the distributor's exclusive remedy for defective products and components towards Novameta. Novameta shall not be liable for any costs, expenses, losses or claims (whether direct, indirect, consequential or otherwise) relating to defective products or components unless otherwise explicitly stated herein or agreed in writing. Any expenses in connection with the installation or costs of making adjustments (including service procedures, travel time costs) on the equipment to comply with the supply at the point of installation are not covered by this warranty.

The producer does not take any responsibility for damages that occur due to ignorance of cautions, improper maintenance or mechanical damages of the unit, including those, caused during the delivery. This warranty is not effective if damage occurs from improper installation, misuse; incorrect voltage supply, wear and tear from normal usage, accidental breakage, damage or if the equipment is operated contrary to the user instructions. The warranty does not cover if the damage occurs due to natural disasters; fire, if repair service was made by unauthorized person.

In case of a failure not covered by the warranty, we provide a possibility to purchase spare parts.

i NOVAMETA STANDARD TERMS

Procedure for repair or replacement under the warranty

The distributor shall, at its own costs, make all reasonable attempts to repair any defective component or product.

If such repair is not possible for the distributor, the distributor shall contact Novameta in writing immediately (within 3 working days) upon suspicion of any defects that may be covered by the warranty. If Novameta is not contacted immediately (within 3 working days) in such cases, the distributor shall have no remedies.

Distributor's contact shall include specific information as to the suspected defect the relevant order number and a copy of the relevant invoice.

After timely receipt of the above, Novameta will decide if there is a defect, whether the claim is covered by the warranty, and whether the product or component is to be replaced.

In cases where Novameta decides to replace defective products or components with new ones, the distributor will be billed the full amount for the goods when they are sent. This amount will then be credited when the defective product or components is returned to Novameta and it is established that the defective product or component is covered by the warranty.

With regard to the transport of products and components, Novameta will pay the freight of new or repaired products and components, while the distributor will pay the freight for defective goods that are returned (and any other costs related to the return of the goods). The warranty does not cover expenses of the service procedures performed. Novameta does not provide service.

Unless otherwise agreed in writing, the defective product or component should always be returned to Novameta: Draugystės g. 15D, LT-51227 Kaunas, Lithuania.

Cancellations

If an order cancellation request is made after confirmation of drawing and proforma invoice, adjustments are not possible and production cannot be stopped. In case of cancellation product will be charged in full.

Shipping and packing

Novameta will pack products for shipment in Novameta standard packaging. If the distributor has other requirements as to packing, the distributor shall contact Novameta to make special arrangements.

Delivery recommendations

Upon receipt, inspect units immediately for any shipping damage and notify carrier immediately if damage is found. It must be reported immediately (upon delivery) in writing in the CMR. Otherwise neither the Manufacturer nor the carrier can take responsibility for transport damage. All items are thoroughly inspected and carefully packed before leaving our factory, thus Novameta cannot accept responsibility for any shipping damage, however Novameta will assist in filing a claim.

Liability and Product liability

Novameta shall only be liable for defects and product liability to the extent set out herein (see particularly warranty terms). In addition to the aforesaid all liability is capped at the invoiced price of the defective product. All other liability is hereby excluded.

Choice of law and Venue

These Terms and the cooperation between Novameta and its distributors, including any disputes relating thereto, shall be governed by Lithuanian law.

Any disputes shall be settled before the Lithuanian courts, which shall have exclusive jurisdiction.

Company No. 235886490, VAT Reg. No. LT 358864917

Reg. No. 048959, Centre of Registers

IBAN: LT227300010071982293, Swedbank, AB

REFERENCES

HOTELS, RESTAURANTS AND BARS

Kempinski Hotel Cathedral Square
Vilnius, Lithuania

Glostrup Park Hotel
Copenhagen, Denmark

IDW Esperanza Resort
Trakai, Lithuania

Scandic Odense Hotel
Odense, Denmark

Radisson Blu Hotel
Vilnius, Lithuania

Copenhagen Towers
Copenhagen, Denmark

TGI Fridays Bar & Restaurant
Stockholm, Sweden

Popino Restaurant
Hämeenlinna, Finland

Easy Wine Bar
Riga, Latvia

Flammen Restaurants
Denmark

COMPANY CANTEENS

Microsoft Headquarters
Copenhagen, Denmark

IKEA Store
Vilnius, Lithuania

ISS Company
Tromsø, Norway

Riks TV
Oslo, Norway

DSV Company
Denmark; Norway

Maersk Drilling Headquarters
Copenhagen, Denmark

Zealand Business College
Næstved, Denmark

LARGE VENUES

Tele2 Arena
Stockholm, Sweden

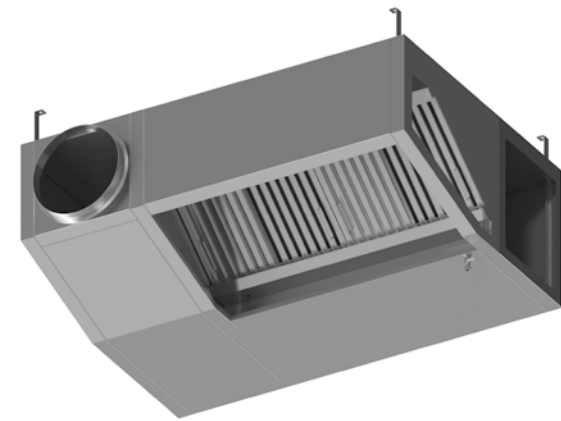
Žalgiris Arena
Kaunas, Lithuania

Aust-Agder Museum
Arendal, Norway

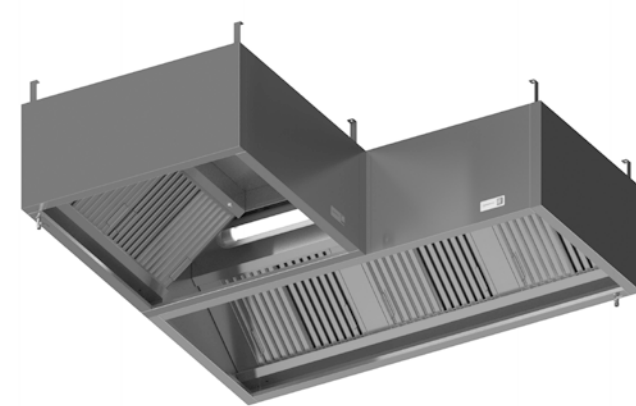
Telenor Arena
Oslo, Norway

Dzintari Concert Hall
Jurmala, Latvia

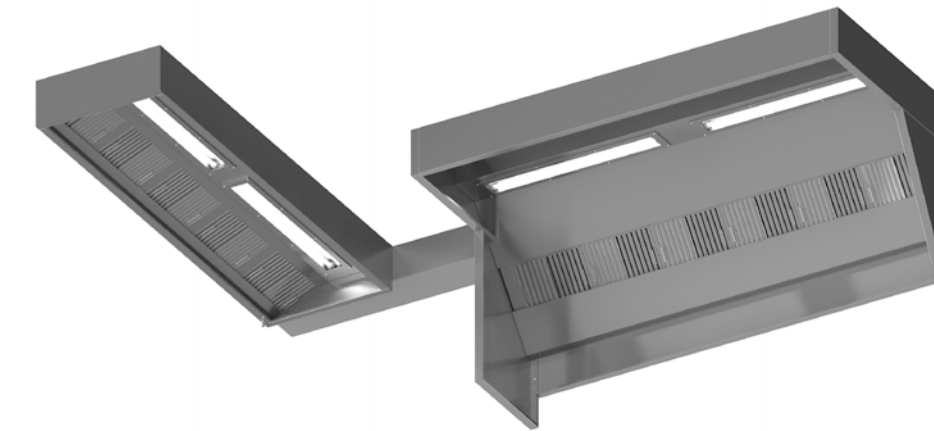
Åhléns Department Store
Stockholm, Sweden



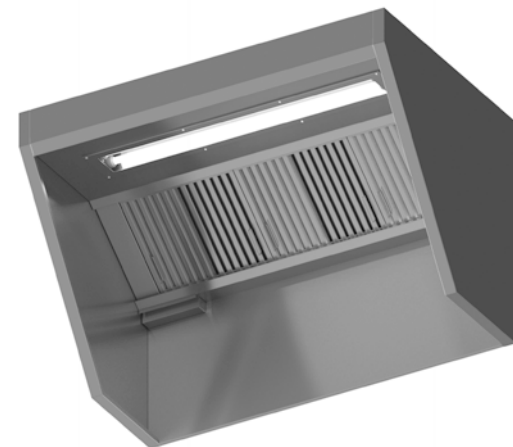
ZE17-6002



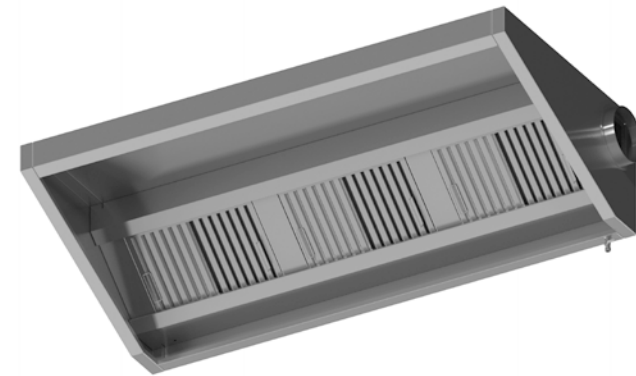
ZD16-6009



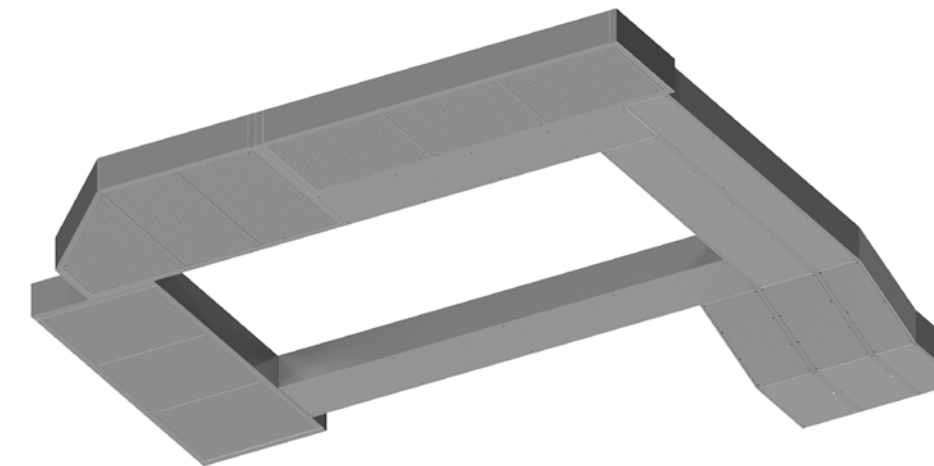
ZD14-6002



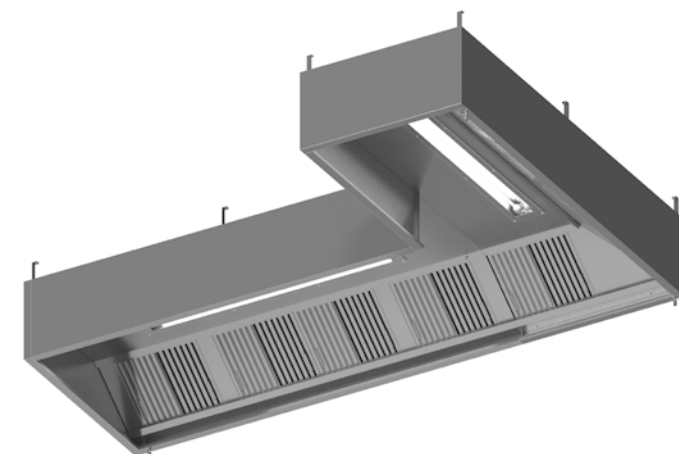
ZQ17-6008



ZI14-6005



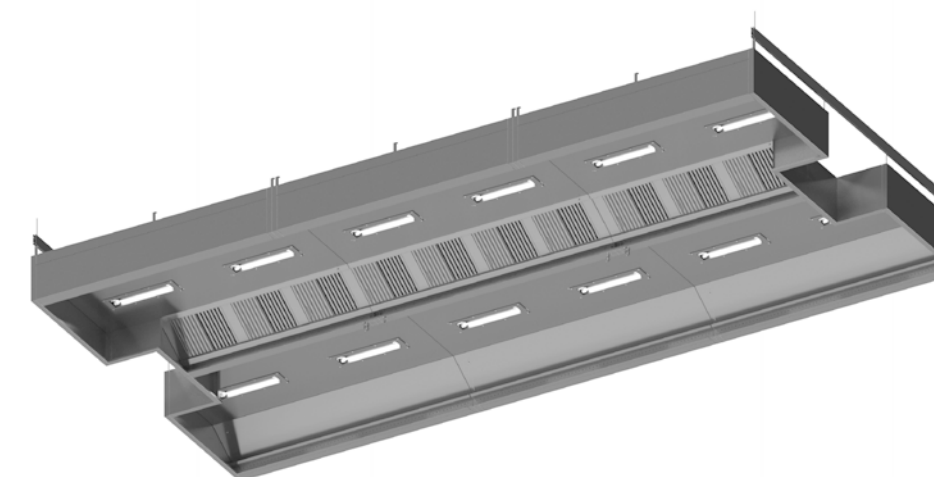
ZD14-6003



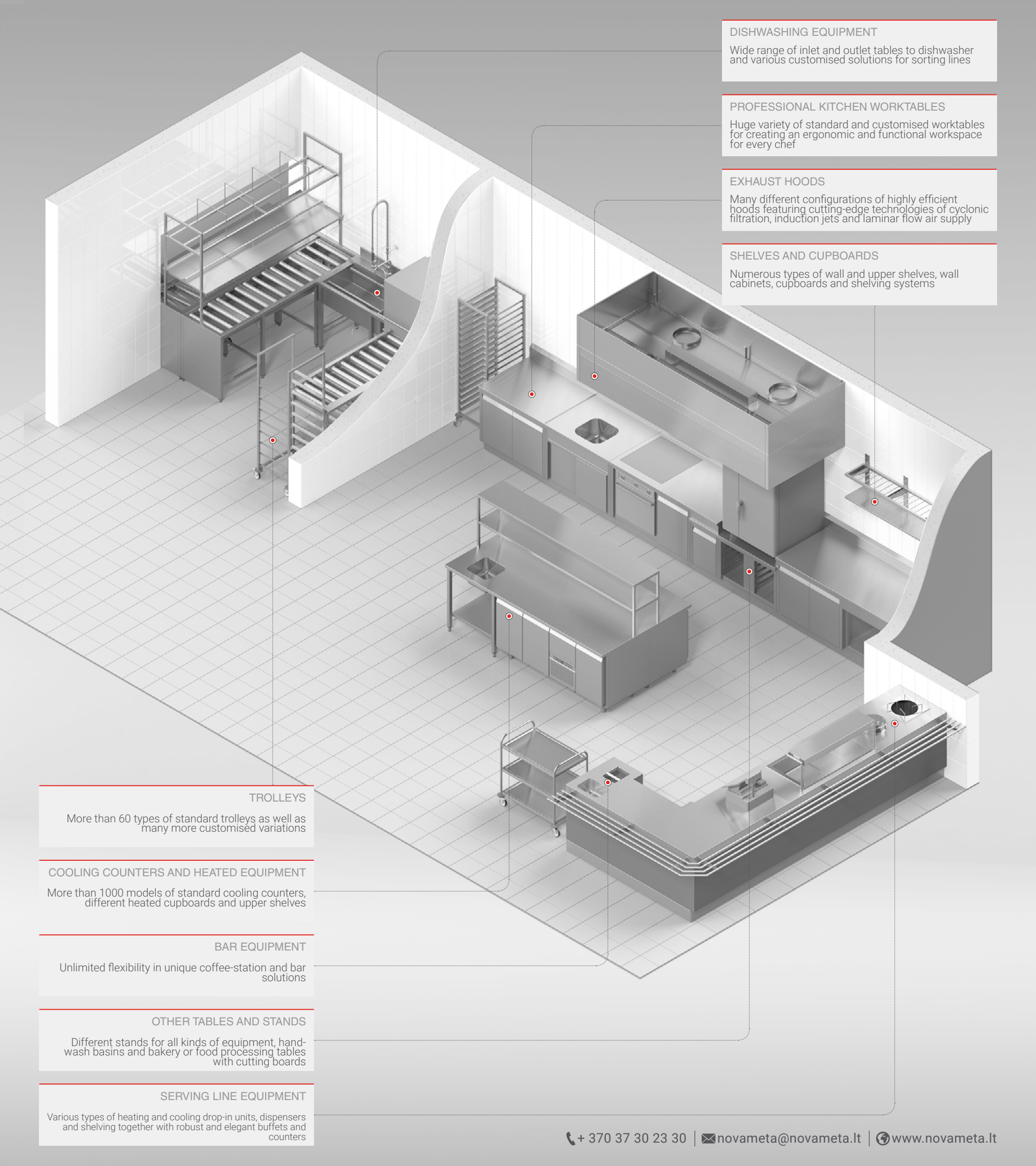
ZU17-6004



ZQ16-6007



ZD12-606



DISHWASHING EQUIPMENT

Wide range of inlet and outlet tables to dishwasher and various customised solutions for sorting lines

PROFESSIONAL KITCHEN WORKTABLES

Huge variety of standard and customised worktables for creating an ergonomic and functional workspace for every chef

EXHAUST HOODS

Many different configurations of highly efficient hoods featuring cutting-edge technologies of cyclonic filtration, induction jets and laminar flow air supply

SHELVES AND CUPBOARDS

Numerous types of wall and upper shelves, wall cabinets, cupboards and shelving systems

TROLLEYS

More than 60 types of standard trolleys as well as many more customised variations

COOLING COUNTERS AND HEATED EQUIPMENT

More than 1000 models of standard cooling counters, different heated cupboards and upper shelves

BAR EQUIPMENT

Unlimited flexibility in unique coffee-station and bar solutions

OTHER TABLES AND STANDS

Different stands for all kinds of equipment, hand-wash basins and bakery or food processing tables with cutting boards

SERVING LINE EQUIPMENT

Various types of heating and cooling drop-in units, dispensers and shelving together with robust and elegant buffets and counters