



PRICE LIST 2017

1. PROFESSIONAL KITCHEN WORKTABLES
2. OTHER TABLES AND STANDS
3. DISHWASHING EQUIPMENT
4. SHELVES AND CUPBOARDS
- 5. TROLLEYS**
6. EXHAUST HOODS
7. BAR EQUIPMENT
8. SERVING LINE EQUIPMENT
9. COOLING COUNTERS AND HEATED EQUIPMENT
10. MODULAR TABLES

YOUR RELIABLE PARTNER

Novameta is the largest and most advanced manufacturer of stainless steel commercial kitchen equipment in Baltic and Scandinavian countries. Extensive 16-year experience, attention to details along with an innovative mindset are the key factors which have enabled **Novameta** to establish trust in 18 markets throughout Europe.

A wide range of hot, cold and neutral standard equipment, precisely engineered and crafted non-standard products combined with a short, typically 2-4 week lead time is what makes us stand out of the crowd. What is more, our experienced team is all set to provide professional support and technical advice, enabling our clients to turn their ideas to tailor made turnkey solutions.

All of our products are marketed through a professional network of distributors throughout Europe. We are proud to provide an all-round assistance to our dealers, helping them to excel in the things they do best - planning, taking care of supply, installation and service to fulfil the needs of catering, bakery and retail industries.

Our main objectives are to maintain solid positions in Europe through sustaining partnership relationships with our clients, whilst at the same time expanding into new markets worldwide. Experienced and ambitious sales team, application of up-to-date 3D CAD software in our in-house design department, employment of latest production technologies and LEAN quality management based on ISO 9001:2000 standard, have determined the rapid expansion of our sales markets and therefore the consequent quick growth of the company.

Currently, over 165 employees work in the enterprise and the production area covers 5000 m². **Novameta** manufactures over 180 different items every day, more than 1000 projects yearly!



Novameta

📍 Draugystės g. 15D, LT-51227 Kaunas, Lithuania
 ☎ +370 37 30 23 30
 ✉ novameta@novameta.lt
 🌐 www.novameta.lt

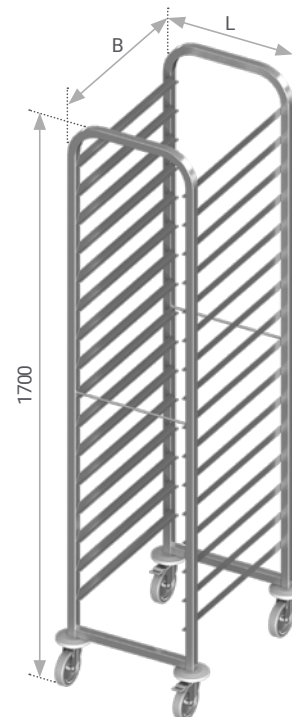
Novameta UK

📍 1210 Parkview, Arlington Business Park, Theale, Reading, Berkshire RG7 4TY, UK
 ☎ +44 118 965 4098
 📞 +44 791 874 0027
 ✉ sales@novameta.co.uk
 🌐 www.novameta.co.uk

© 2017 Novameta. All rights reserved.

Novameta respects the intellectual property rights of others and expects its clients and the users of its services to do the same. All information in this publication is property of Novameta and you do not have right to disclose it to any third party without permission. Technical specifications and prices are subject to change.

CONTENTS



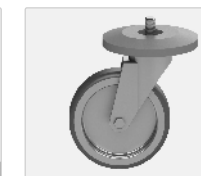
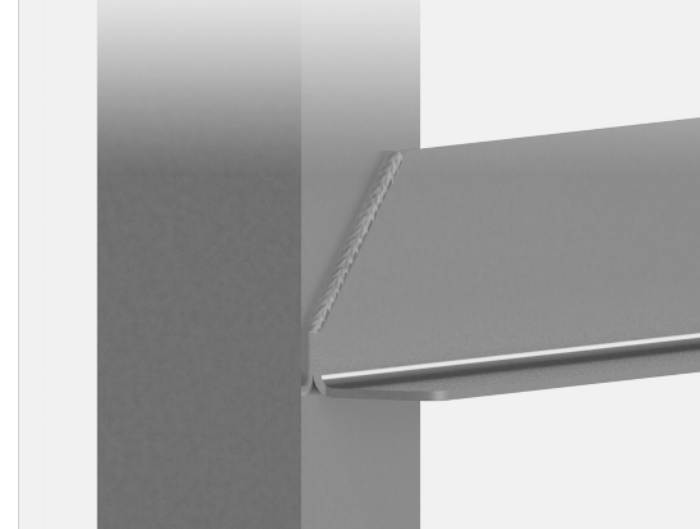
i Different dimensions and configurations are available on request. Examples on page 5.30.

Length L, mm	Width B, mm		Amount of guides	Distance between guides, mm	Dimensions of container, mm
	530				
	Model	Price, €			
380	VTGN12-38/53/170	286	12	117	1/1 GN 325 x 530
380	VTGN14-38/53/170	306	14	100	1/1 GN 325 x 530
380	VTGN16-38/53/170	325	16	88	1/1 GN 325 x 530
380	VTGN18-38/53/170	345	18	78	1/1 GN 325 x 530
380	VTGN20-38/53/170	366	20	70	1/1 GN 325 x 530

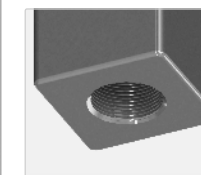
Length L, mm	Width B, mm		Amount of guides	Distance between guides, mm	Dimensions of container, mm
	650				
	Model	Price, €			
585	VTGD12-58/65/170	301	12	117	2/1 GN 530 x 650
585	VTGD14-58/65/170	322	14	100	2/1 GN 530 x 650
585	VTGD16-58/65/170	344	16	88	2/1 GN 530 x 650
585	VTGD18-58/65/170	365	18	78	2/1 GN 530 x 650
585	VTGD20-58/65/170	386	20	70	2/1 GN 530 x 650

STANDARD FEATURES

HYGIENIC TYPE OF WELDING



Set of galvanized wheels Ø100 mm (4 pcs), 2 pcs with brakes, plastic protecting bumpers



Heavy duty welded steel hub for mounting the wheels

OPTIONAL FEATURES



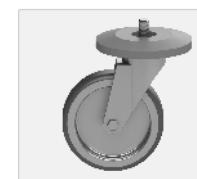
Swing lock on one side

Code: A-VT-U1
Price: 24 €



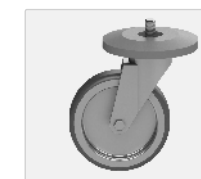
Swing lock on both sides

Code: A-VT-U2
Price: 47 €



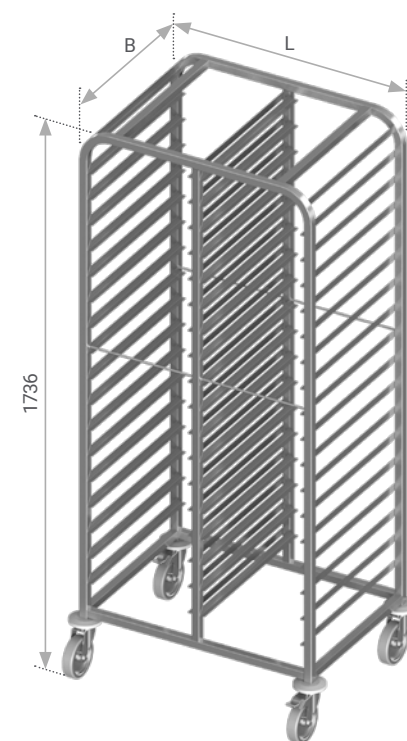
Set of galvanized wheels Ø125 mm (4 pcs), 2 pcs with brakes

Code: K-RAX125-157NCG
Price: 19 €



Set of stainless steel wheels Ø125mm (4 pcs), 2 pcs with brakes

Code: K-RAX125-157NNG
Price: 103 €

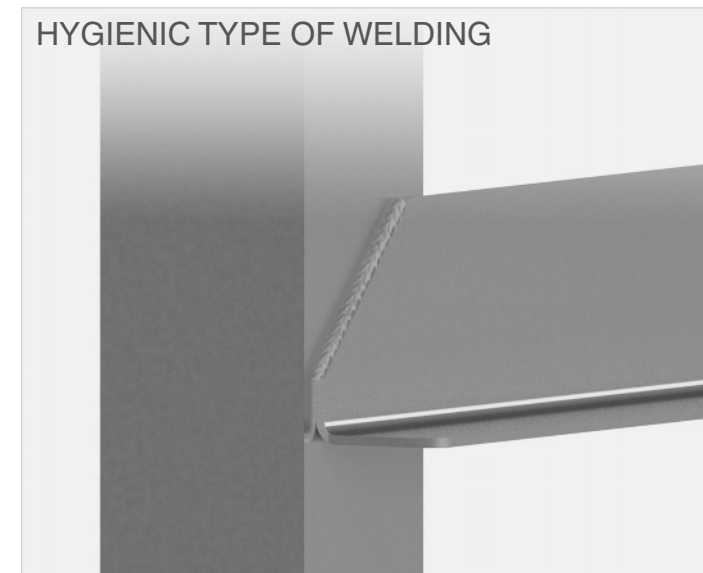


Information icon Different dimensions and configurations are available on request. Examples on page 5.30.

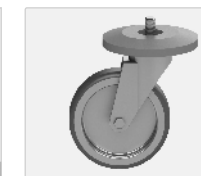
Length L, mm	Width B, mm		Amount of guides	Distance between guides, mm	Dimensions of container, mm
	530				
	Model	Price, €			
735	VTGN24-74/53/174	555	24	117	1/1 GN 325 x 530
735	VTGN28-74/53/174	593	28	100	1/1 GN 325 x 530
735	VTGN32-74/53/174	631	32	88	1/1 GN 325 x 530
735	VTGN36-74/53/174	671	36	78	1/1 GN 325 x 530

Length L, mm	Width B, mm		Amount of guides	Distance between guides, mm	Dimensions of container, mm
	650				
	Model	Price, €			
1145	VTGD24-115/65/174	584	24	117	2/1 GN 530 x 650
1145	VTGD28-115/65/174	625	28	100	2/1 GN 530 x 650
1145	VTGD32-115/65/174	667	32	88	2/1 GN 530 x 650
1145	VTGD36-115/65/174	709	36	78	2/1 GN 530 x 650

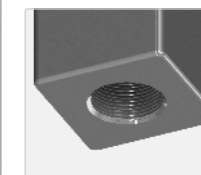
STANDARD FEATURES



HYGIENIC TYPE OF WELDING



Set of galvanized wheels Ø125 mm (4 pcs), 2 pcs with brakes, plastic protecting bumpers



Heavy duty welded steel hub for mounting the wheels

OPTIONAL FEATURES



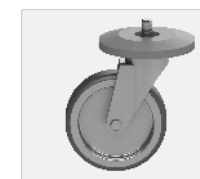
Swing lock on one side

Code: A-VT-U1
Price: 48 €



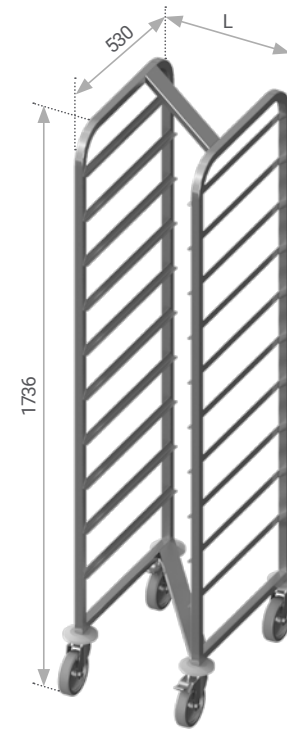
Swing lock on both sides

Code: A-VT-U2
Price: 94 €



Set of stainless steel wheels Ø125mm (4 pcs), 2 pcs with brakes

Code: K-RAX125-157NNG
Price: 84 €

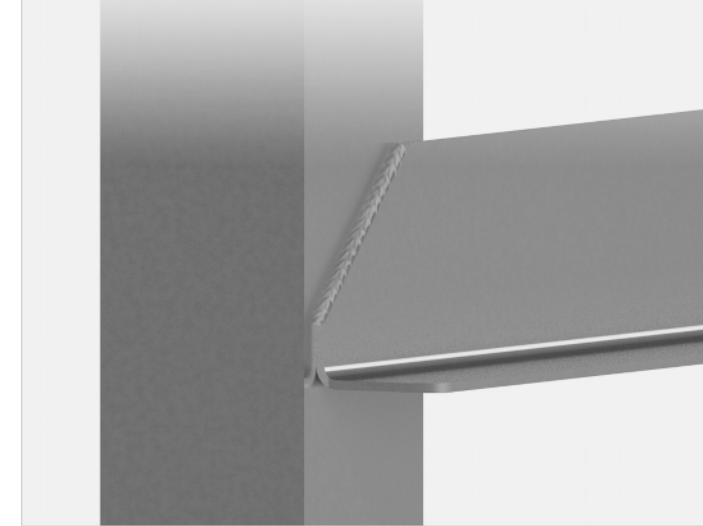


Information icon Different dimensions and configurations are available on request. Examples on page 5.30.

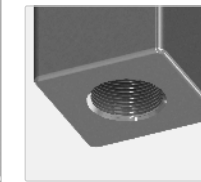
Length L, mm	Width B, mm		Amount of guides	Distance between guides, mm	Dimensions of container, mm
	530	Price, €			
380	VTGZ10-38/53/174	404	10	140	1/1 GN 325 x 530
380	VTGZ12-38/53/174	428	12	117	1/1 GN 325 x 530
380	VTGZ14-38/53/174	452	14	100	1/1 GN 325 x 530
380	VTGZ16-38/53/174	479	16	88	1/1 GN 325 x 530
380	VTGZ18-38/53/174	505	18	78	1/1 GN 325 x 530
380	VTGZ20-38/53/174	537	20	70	1/1 GN 325 x 530

STANDARD FEATURES

HYGIENIC TYPE OF WELDING



Set of galvanized wheels Ø125 mm (4 pcs), 2 pcs with brakes, plastic protecting bumpers



Heavy duty welded steel hub for mounting the wheels

OPTIONAL FEATURES



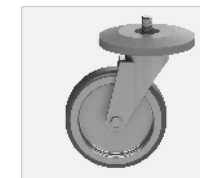
Swing lock on one side

Code: A-VT-U1
Price: 24 €



Swing lock on both sides

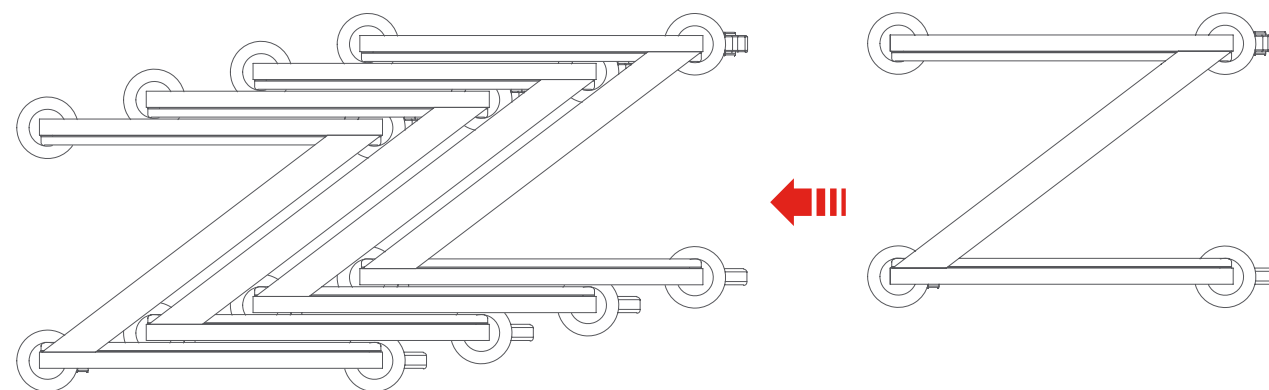
Code: A-VT-U2
Price: 47 €

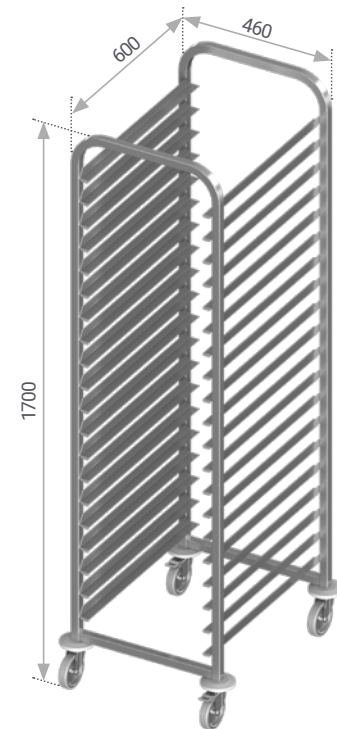


Set of stainless steel wheels Ø125mm (4 pcs), 2 pcs with brakes

Code: K-RAX125-157NNG
Price: 84 €

Trolleys may be inserted together, saving up to 80% of space.



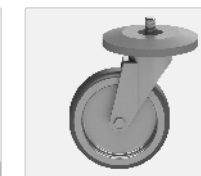
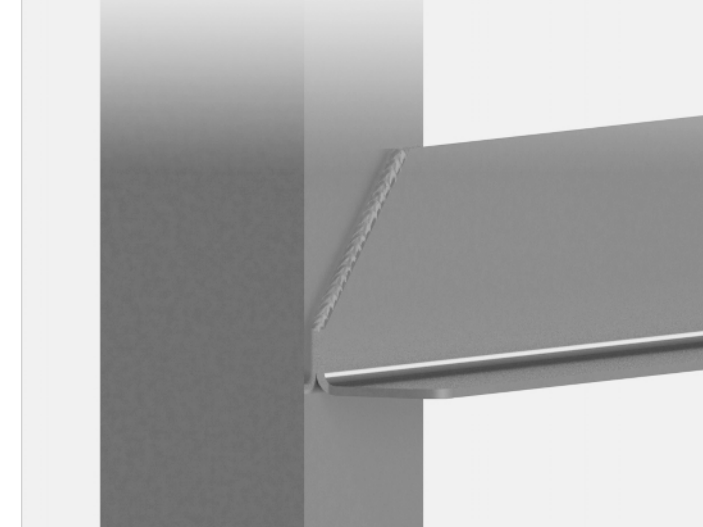


i Different dimensions and configurations are available on request. Examples on page 5.30.

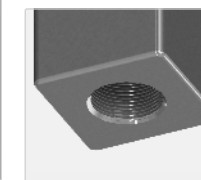
Length L, mm	Width B, mm		Amount of guides	Distance between guides, mm	Dimensions of tray, mm
	Model	Price, €			
460	VTT10-46/60/170	284	10	148	Baking tray 600 x 400
460	VTT12-46/60/170	309	12	123	Baking tray 600 x 400
460	VTT14-46/60/170	333	14	106	Baking tray 600 x 400
460	VTT16-46/60/170	355	16	92	Baking tray 600 x 400
460	VTT18-46/60/170	379	18	80	Baking tray 600 x 400
460	VTT20-46/60/170	402	20	72	Baking tray 600 x 400

STANDARD FEATURES

HYGIENIC TYPE OF WELDING



Set of galvanized wheels Ø100 mm (4 pcs), 2 pcs with brakes, plastic protecting bumpers



Heavy duty welded steel hub for mounting the wheels

OPTIONAL FEATURES



Swing lock on one side

Code: A-VT-U1
Price: 24 €



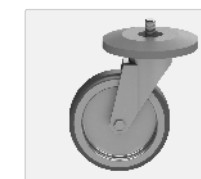
Swing lock on both sides

Code: A-VT-U2
Price: 47 €



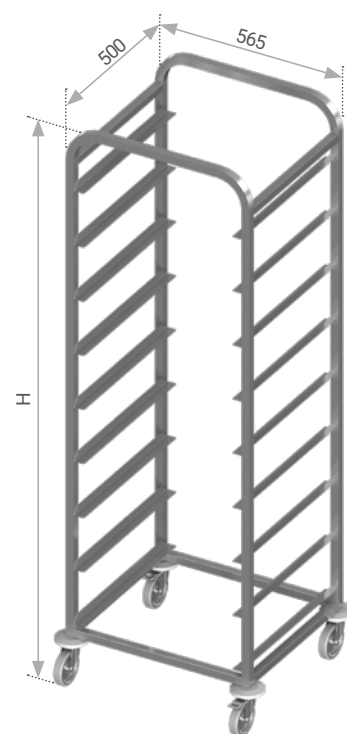
Set of galvanized wheels Ø125 mm (4 pcs), 2 pcs with brakes

Code: K-RAX125-157NCG
Price: 19 €



Set of stainless steel wheels Ø125mm (4 pcs), 2 pcs with brakes

Code: K-RAX125-157NNG
Price: 103 €

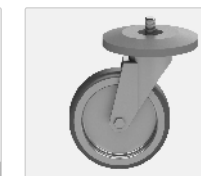
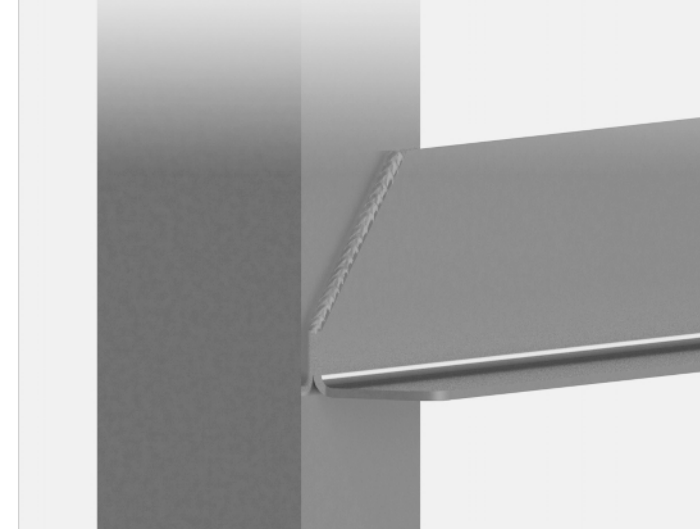


Information icon Different dimensions and configurations are available on request. Examples on page 5.30.

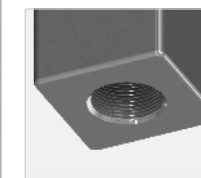
Length L, mm	Width B, mm		Amount of guides	Distance between guides, mm	Dimensions of basket, mm
	Model	Price, €			
565	VTB3-57/50/78	205	3	185	500 x 500
565	VTB4-57/50/78	220	4	130	500 x 500
565	VTB6-57/50/170	251	6	250	500 x 500
565	VTB7-57/50/170	263	7	210	500 x 500
565	VTB8-57/50/170	273	8	186	500 x 500
565	VTB9-57/50/170	284	9	165	500 x 500
565	VTB10-57/50/170	295	10	145	500 x 500

STANDARD FEATURES

HYGIENIC TYPE OF WELDING



Set of galvanized wheels Ø100 mm (4 pcs), 2 pcs with brakes, plastic protecting bumpers



Heavy duty welded steel hub for mounting the wheels

OPTIONAL FEATURES



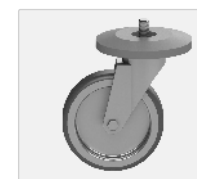
Swing lock on one side

Code: A-VT-U1
Price: 24 €



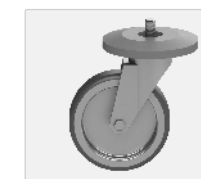
Swing lock on both sides

Code: A-VT-U2
Price: 47 €



Set of galvanized wheels Ø125 mm (4 pcs), 2 pcs with brakes

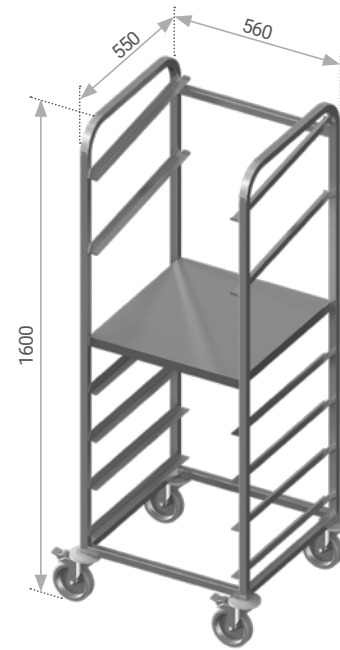
Code: K-RAX125-157NCG
Price: 19 €



Set of stainless steel wheels Ø125mm (4 pcs), 2 pcs with brakes

Code: K-RAX125-157NNG
Price: 103 €

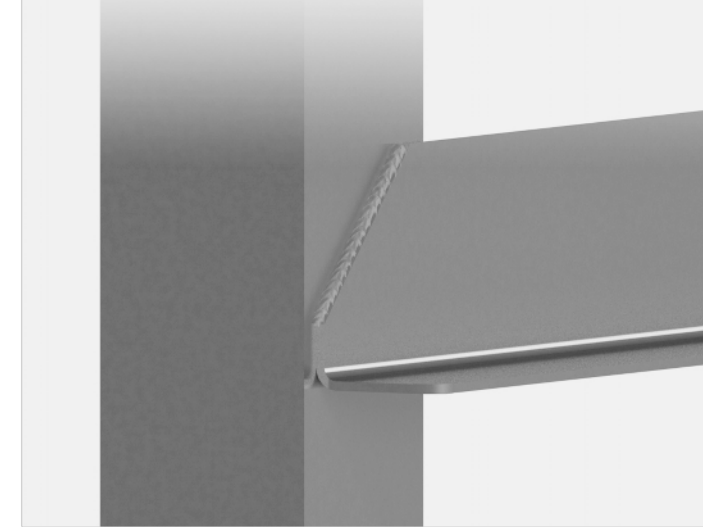
STANDARD FEATURES



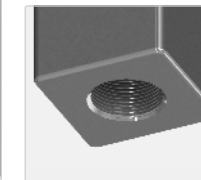
Information icon Different dimensions and configurations are available on request. Examples on page 5.30.

Length L, mm	Width B, mm		Dimensions of basket, mm
	Model	Price, €	
560	VTBL7-56/55/160	397	500 x 500

HYGIENIC TYPE OF WELDING

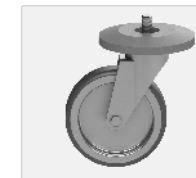


Set of galvanized wheels Ø125 mm (4 pcs), 2 pcs with brakes, plastic protecting bumpers



Heavy duty welded steel hub for mounting the wheels

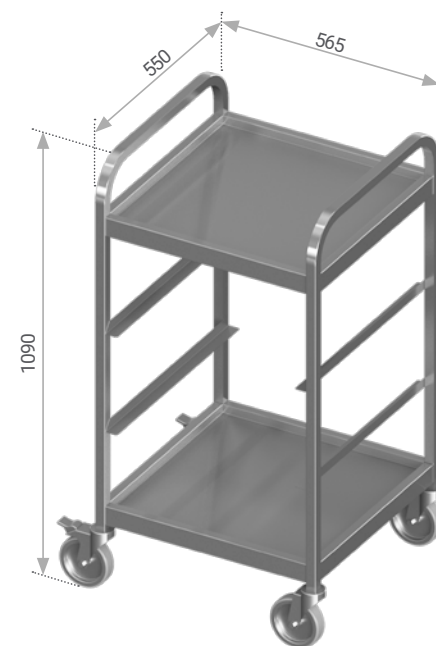
OPTIONAL FEATURES



Set of stainless steel wheels Ø125mm (4 pcs), 2 pcs with brakes

Code: K-RAX125-157NNG
Price: 84 €

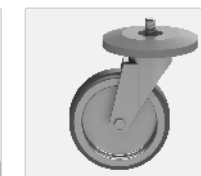
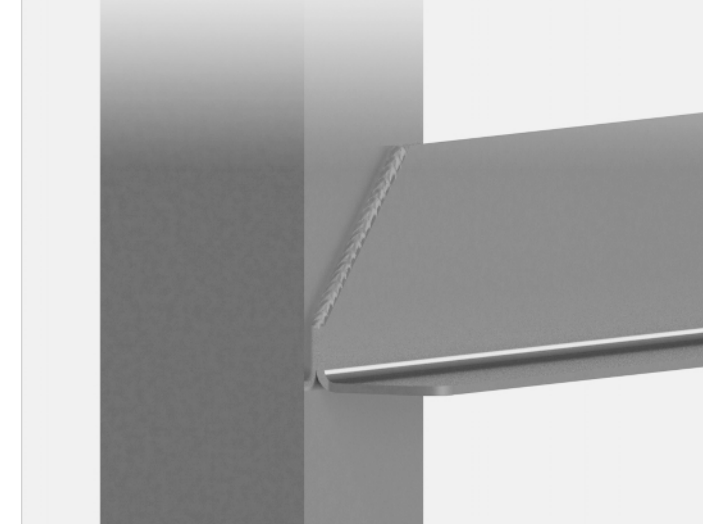
STANDARD FEATURES



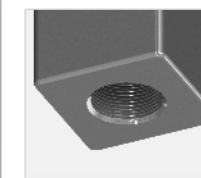
Information icon Different dimensions and configurations are available on request. Examples on page 5.30.

Length L, mm	Width B, mm		Dimensions of basket, mm
	Model	Price, €	
565	VTBL4-57/55/109	304	500 x 500

HYGIENIC TYPE OF WELDING

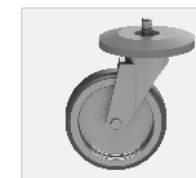


Set of galvanized wheels Ø125 mm (4 pcs), 2 pcs with brakes, plastic protecting bumpers



Heavy duty welded steel hub for mounting the wheels

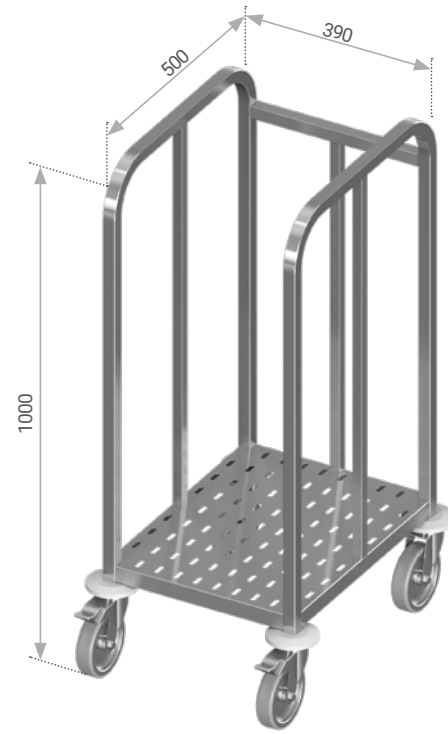
OPTIONAL FEATURES



Set of stainless steel wheels Ø125mm (4 pcs), 2 pcs with brakes

Code: K-RAX125-157NNG
Price: 84 €

NEW



Information icon Different dimensions and configurations are available on request. Examples on page 5.30.

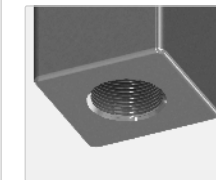
Length L, mm	Width B, mm		Dimensions of tray, mm	Amount of trays
	500			
Model		Price, €		
390	VTTM1-39/50/100		430 x 330	135

STANDARD FEATURES

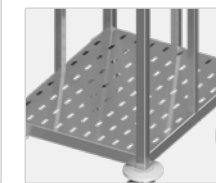
DESIGNED FOR TRAYS
(430 x 330 mm)



Set of galvanized wheels Ø125 mm (4 pcs),
2 pcs with brakes, plastic protecting bumpers



Heavy duty welded steel hub for mounting the wheels



Perforated shelf

OPTIONAL FEATURES

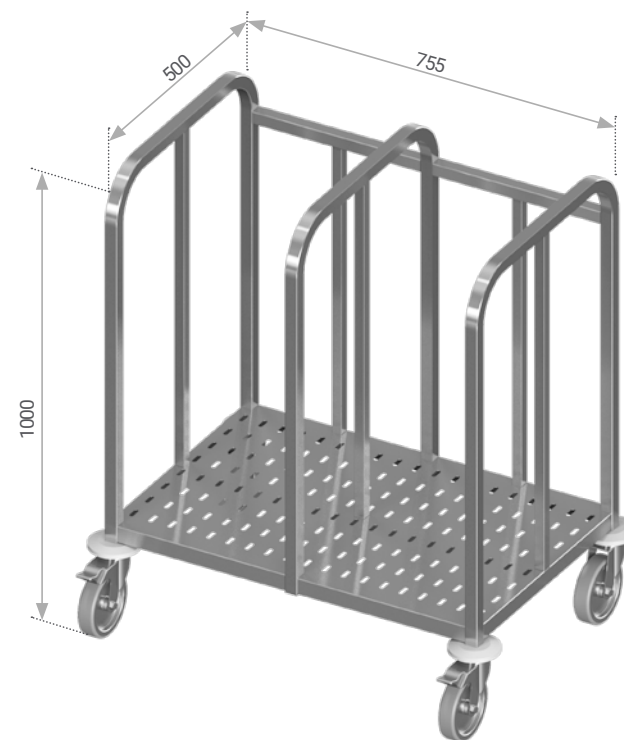


**Set of stainless steel wheels Ø125mm (4 pcs),
2 pcs with brakes**

Code: K-RAX125-157NNG
Price: 84 €

DOUBLE TROLLEY FOR TRAYS

NEW



Information icon Different dimensions and configurations are available on request. Examples on page 5.30.

Length L, mm	Width B, mm		Dimensions of tray, mm	Amount of trays
	500			
Model		Price, €		
755	VTTM2-76/50/100		430 x 330	2 x 135

STANDARD FEATURES

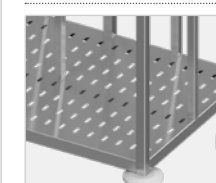
DESIGNED FOR TRAYS
(430 x 330 mm)



Set of galvanized wheels Ø125 mm (4 pcs),
2 pcs with brakes, plastic protecting bumpers

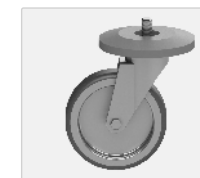


Heavy duty welded steel hub for mounting the wheels



Perforated shelf

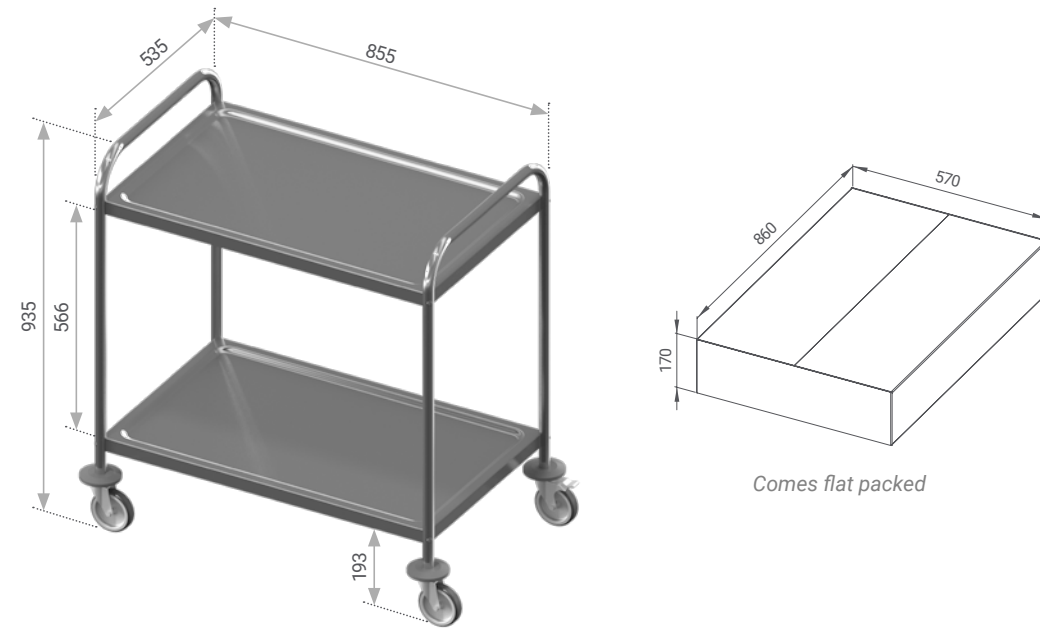
OPTIONAL FEATURES



**Set of stainless steel wheels Ø125mm (4 pcs),
2 pcs with brakes**

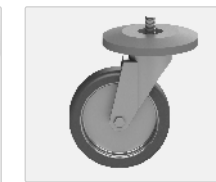
Code: K-RAX125-157NNG
Price: 84 €

STANDARD FEATURES

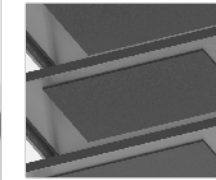


Comes flat packed

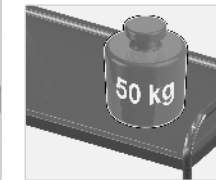
EASY TO ASSEMBLE



Set of galvanized wheels Ø100 mm (4 pcs), 2 pcs with brakes, plastic protecting bumpers



Shelves with noise dampening pads

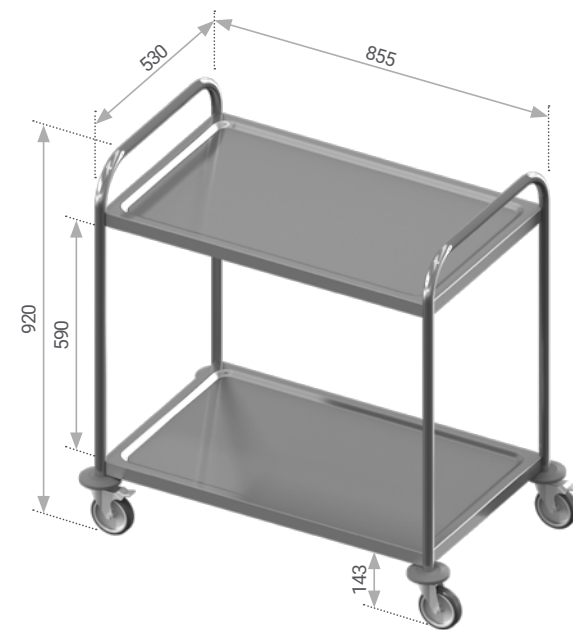


Max loading 50 kg/shelf (uniform layout)

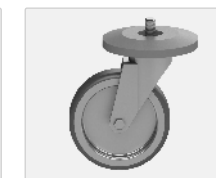
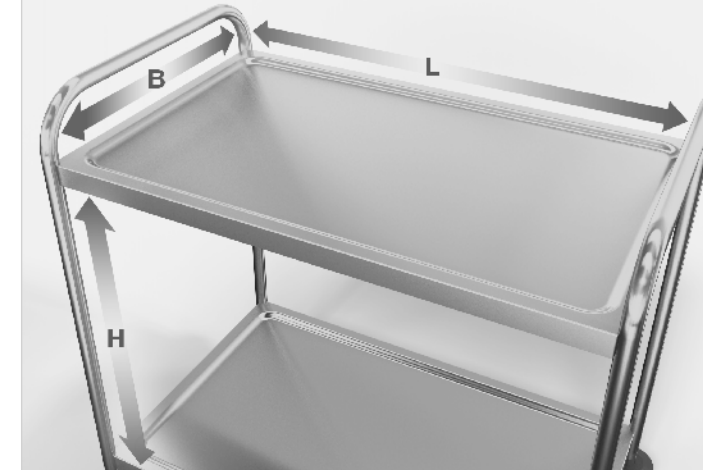
Length L, mm	Width B, mm		Shelves
	535		
	Model	Price, €	
855	VTR2-86/54/94	147	2
855	VTR3-86/54/94	186	3

SERVICE TROLLEY WELDED

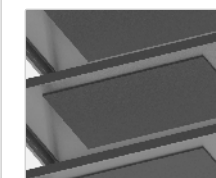
STANDARD FEATURES



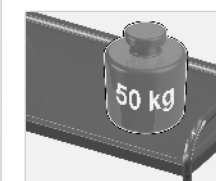
DIFFERENT DIMENSIONS AND CONFIGURATIONS ARE AVAILABLE ON REQUEST



Set of galvanized wheels Ø100 mm (4 pcs), 2 pcs with brakes, plastic protecting bumpers

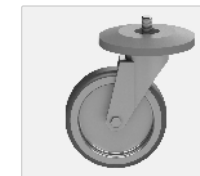


Shelves with noise dampening pads



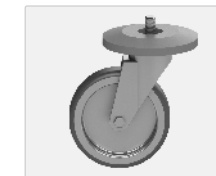
Heavy duty welded shelves
Max loading 50 kg/shelf (uniform layout)

OPTIONAL FEATURES



Set of galvanized wheels Ø125 mm (4 pcs), 2 pcs with brakes

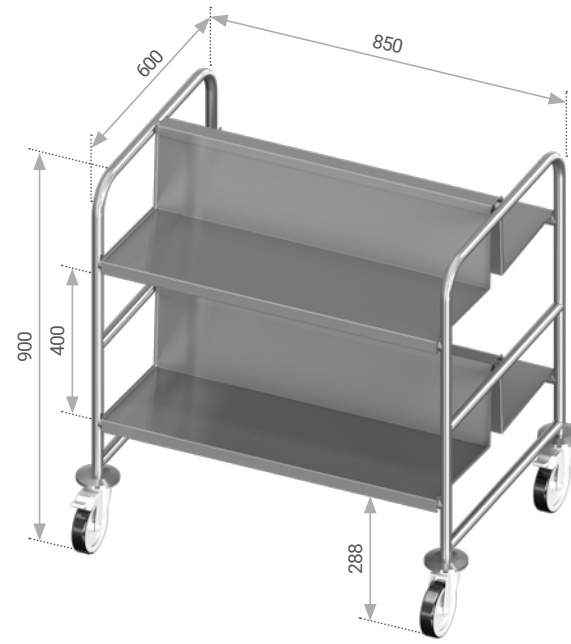
Code: K-RAX125-157NCG
Price: 19 €



Set of stainless steel wheels Ø125mm (4 pcs), 2 pcs with brakes

Code: K-RAX125-157NNG
Price: 103 €

Length L, mm	Width B, mm		Shelves
	530		
	Model	Price, €	
855	VTS2-86/53/92	205	2
855	VTS3-86/53/92	240	3

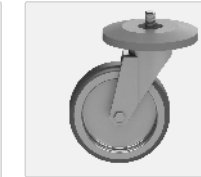


i Different dimensions and configurations are available on request. Examples on page 5.30.

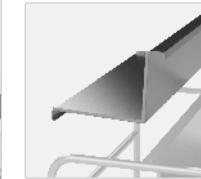
Length L, mm	Width B, mm		Model	Price, €
	600			
850			VTL2-85/60/90	507

STANDARD FEATURES

DESIGNED FOR PLATES
(up to Ø 260 mm)



Set of galvanized wheels Ø125 mm (4 pcs),
2 pcs with brakes, plastic protecting bumpers



Removable shelves

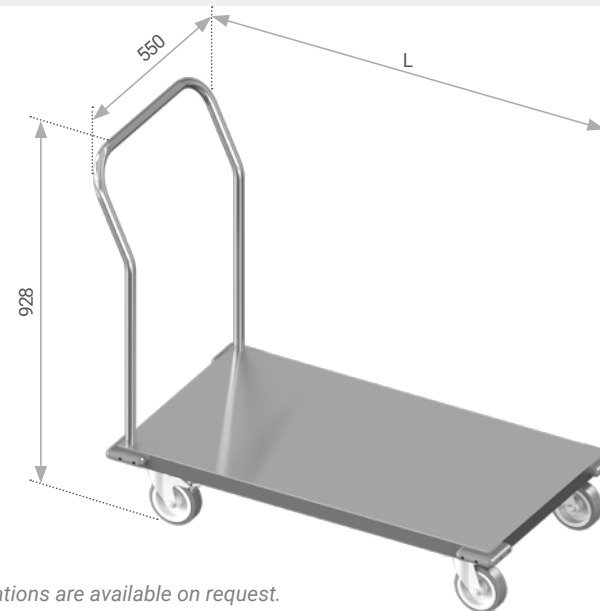
OPTIONAL FEATURES



Set of stainless steel wheels Ø125mm (4 pcs),
2 pcs with brakes

Code: K-RAX125-157NNG
Price: 103 €

TRANSPORTATION TROLLEY - PLATFORM



i Different dimensions and configurations are available on request. Examples on page 5.30.

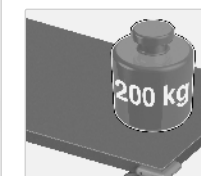
Length L, mm	Width B, mm		Model	Price, €
	550			
600			VTP1-60/55/93	305
700			VTP1-70/55/93	318
800			VTP1-80/55/93	333
900			VTP1-90/55/93	346
1000			VTP1-100/55/93	359
1100			VTP1-110/55/93	373
1200			VTP1-120/55/93	387

STANDARD FEATURES

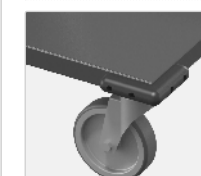
HEAVY DUTY CONSTRUCTION
WITH REINFORCEMENT PROFILE



Set of heavy duty wheels Ø125 mm (4 pcs),
2 pcs with brakes

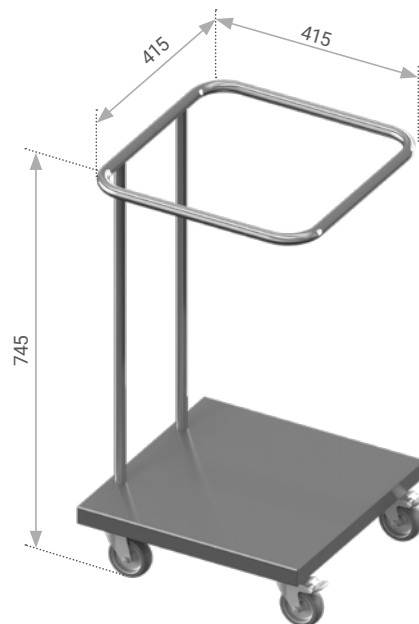


Max loading 200 kg/shelf (uniform layout)



Protecting bumpers

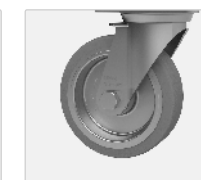
STANDARD FEATURES



Information icon Different dimensions and configurations are available on request. Examples on page 5.30.

Length L, mm	Width B, mm	Model	Price, €
415	415	VTSM1-42/42/75	159

HEAVY DUTY WELDED CONSTRUCTION
DESIGNED FOR PLASTIC BAGS



Set of galvanized wheels Ø75 mm (4 pcs),
2 pcs with brakes

OPTIONAL FEATURES



Stainless steel lid and foot pedal

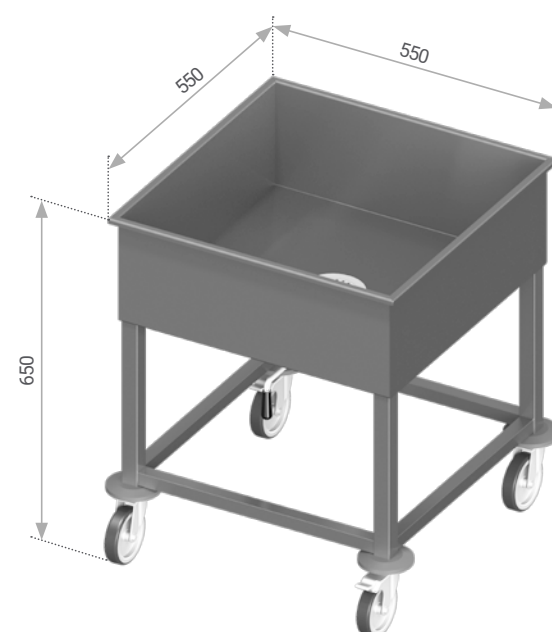
Code: VTSM1-02.00 SB
Price: 79 €



Lower trolley (height 695 mm)

Code: H=695
Price: Free of charge

TROLLEY FOR CUTLERY WITH VALVE

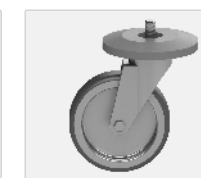


Information icon Different dimensions and configurations are available on request. Examples on page 5.30.

Length L, mm	Width B, mm	Model	Price, €	Dimensions of baskets, mm
550	550	VTI1-55/55/65	335	500 x 500

STANDARD FEATURES

HEAVY DUTY WELDED CONSTRUCTION
DESIGNED FOR DISHWASHER BASKETS
(500 x 500 mm)

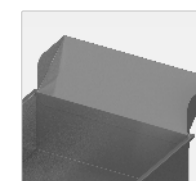


Set of galvanized wheels Ø100 mm (4 pcs),
2 pcs with brakes, plastic protecting bumpers



Valve

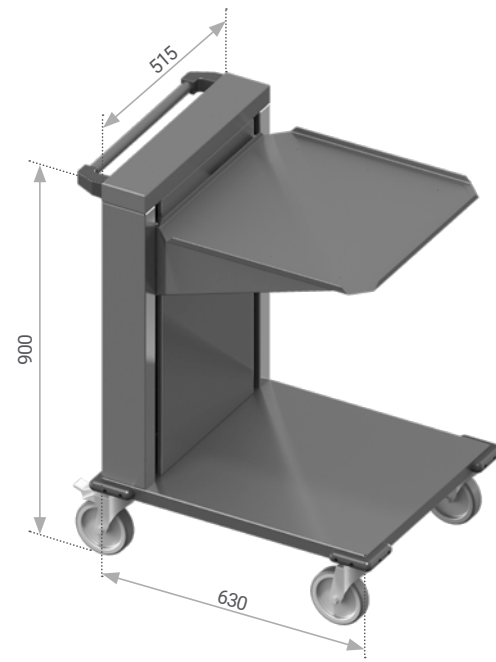
OPTIONAL FEATURES



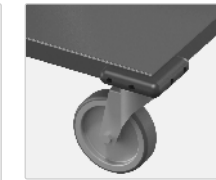
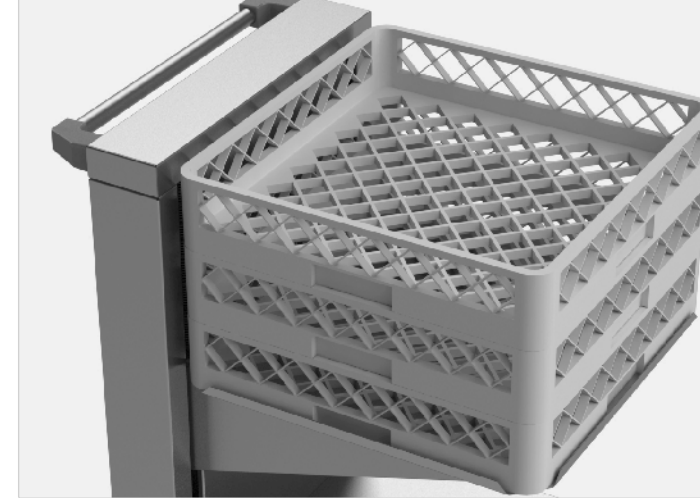
Slide

Code: VTI-03.00 SB
Price: 54 €

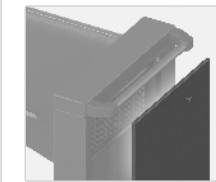
STANDARD FEATURES



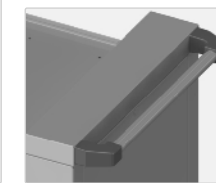
DESIGNED FOR DISHWASHER BASKETS
(500 x 500 mm)



Set of galvanized wheels Ø125 mm (4 pcs),
2 pcs with brakes, plastic protecting bumpers



Easily removable back panel for spring adjustment

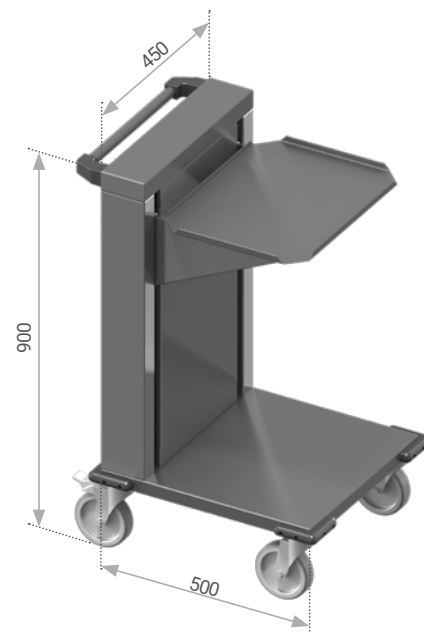


Ergonomic stainless steel handle

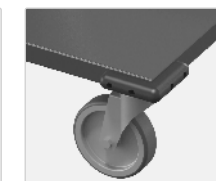
Information icon Different dimensions and configurations are available on request. Examples on page 5.30.

Model	Price, €	Dimensions of baskets, mm	Amount of baskets	Max load, kg
VTBD1-52/63/90	616	500 x 500 x 100	5	50

DISPENSER TROLLEY FOR TRAYS



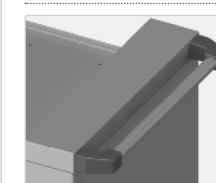
DESIGNED FOR TRAYS
(430 x 330 mm)



Set of galvanized wheels Ø125 mm (4 pcs),
2 pcs with brakes, plastic protecting bumpers



Easily removable back panel for spring adjustment

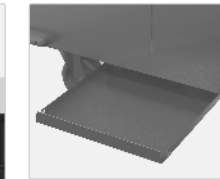
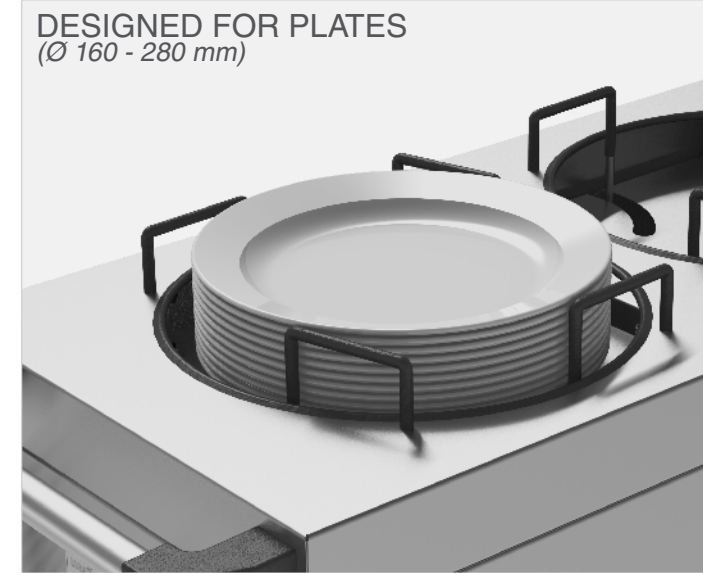
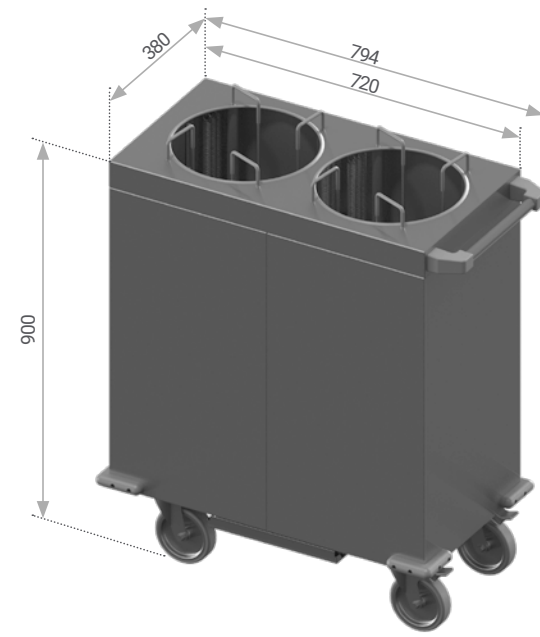


Ergonomic stainless steel handle

Information icon Different dimensions and configurations are available on request. Examples on page 5.30.

Model	Price, €	Dimensions of tray, mm	Amount of trays	Max load, kg
VTTD1-45/50/90	612	430 x 330	100	50

STANDARD FEATURES



Waste tray



Self adjustable to weight of the plates



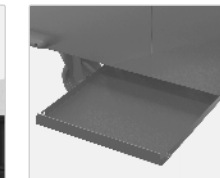
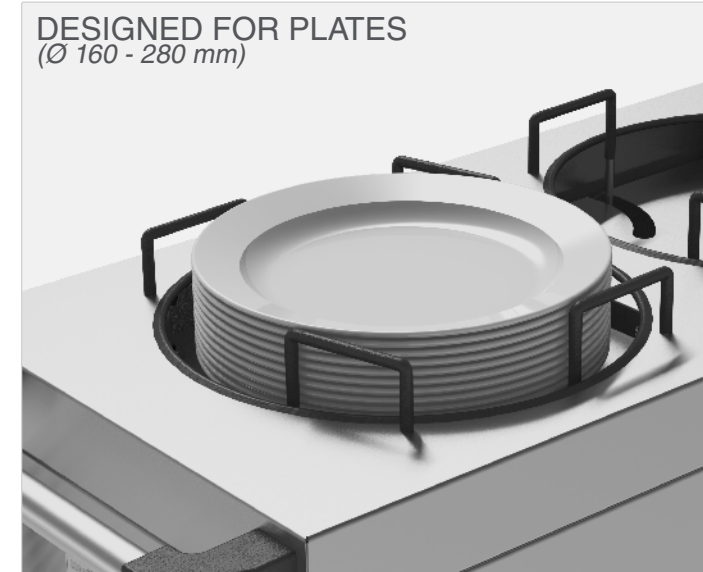
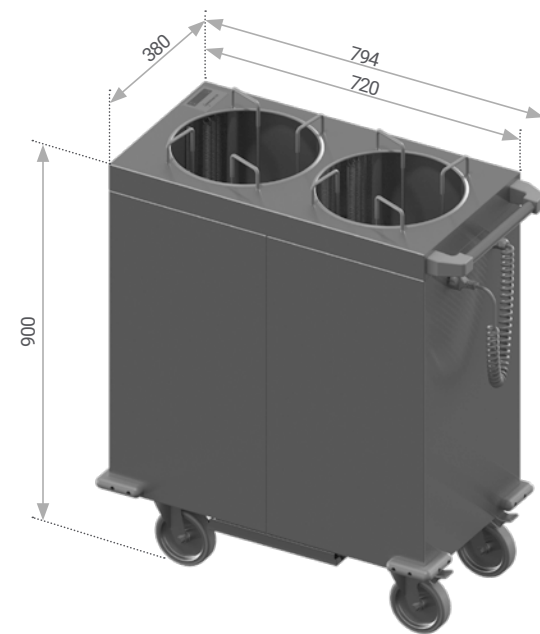
Set of galvanized wheels Ø125 mm (4 pcs), 2 pcs with brakes, plastic protecting bumpers

Information icon Different dimensions and configurations are available on request. Examples on page 5.30.

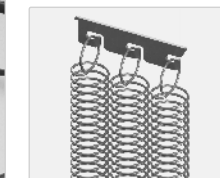
Model	Price, €	Diameter of plates, mm	Amount of plates	Max load, kg
VTLD2-38/72/90	754	160 - 280	2 x 55	2 x 35

HEATED DISPENSER TROLLEY FOR PLATES

STANDARD FEATURES



Waste tray



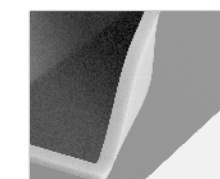
Self adjustable to weight of the plates



Set of galvanized wheels Ø125 mm (4 pcs), 2 pcs with brakes, plastic protecting bumpers



Easy-to-clean digital controller with adjustable temperature (+30 ... +85 °C)



Double-wall construction with thermal insulation

Information icon Different dimensions and configurations are available on request. Examples on page 5.30.



Model	Price, €	Diameter of plates, mm	Amount of plates	Max load, kg	Temperature, °C	Input	Power
VTLW2-38/72/90	942	160 - 280	2 x 55	2 x 35	+30 ... +85	8,7 A	2000 W

i NOVAMETA STANDARD TERMS

Applicability

These Standard Terms ("Terms") apply to all products supplied directly by Novameta to its distributors.

Validity of quotations

Quotations are valid for 90 days unless otherwise explicitly stated in the individual quotation. Not responsible for misprints.

Delivery terms

Provided in the proforma invoice.

In case of ex-works (INCOTERMS 2010) Novameta shall not be liable for delays and the distributor shall not be permitted to terminate the purchase due to delays unless agreed to in writing.

Payment terms

Provided in the proforma invoice.

If a higher credit limit is necessary, security is mandatory. Novameta may reduce a credit limit at any time if considered appropriate by Novameta.

Storage terms

Provided in the proforma invoice.

Retention of Title

Novameta shall retain title in all products and components sold to the distributor until the distributor has paid for the products in full (including transportation and packaging costs).

Warranty terms

Novameta provides a Manufacturer's warranty for all of the equipment against defects in materials and workmanship for a period of 1 year from the date of invoicing of the defective product or component to the distributor. Manufacturer undertakes to replace all inferior parts to proper quality parts or materials. In case of a fault, a properly filled claim is required and must contain all essential information relative to the fault. Faulty parts shall be returned to Manufacturer for further inspection.

Extended warranty

The extended warranty is solely applicable to certain equipment (indicated in the price list). The extended warranty costs extra of the item's list price. Standard warranty terms apply.

Warranty exclusions and limitations of liability

The warranty in these Terms shall be the distributor's exclusive remedy for defective products and components towards Novameta. Novameta shall not be liable for any costs, expenses, losses or claims (whether direct, indirect, consequential or otherwise) relating to defective products or components unless otherwise explicitly stated herein or agreed in writing. Any expenses in connection with the installation or costs of making adjustments (including service procedures, travel time costs) on the equipment to comply with the supply at the point of installation are not covered by this warranty.

The producer does not take any responsibility for damages that occur due to ignorance of cautions, improper maintenance or mechanical damages of the unit, including those, caused during the delivery. This warranty is not effective if damage occurs from improper installation, misuse; incorrect voltage supply, wear and tear from normal usage, accidental breakage, damage or if the equipment is operated contrary to the user instructions. The warranty does not cover if the damage occurs due to natural disasters; fire, if repair service was made by unauthorized person.

In case of a failure not covered by the warranty, we provide a possibility to purchase spare parts.

i NOVAMETA STANDARD TERMS

Procedure for repair or replacement under the warranty

The distributor shall, at its own costs, make all reasonable attempts to repair any defective component or product.

If such repair is not possible for the distributor, the distributor shall contact Novameta in writing immediately (within 3 working days) upon suspicion of any defects that may be covered by the warranty. If Novameta is not contacted immediately (within 3 working days) in such cases, the distributor shall have no remedies.

Distributor's contact shall include specific information as to the suspected defect the relevant order number and a copy of the relevant invoice.

After timely receipt of the above, Novameta will decide if there is a defect, whether the claim is covered by the warranty, and whether the product or component is to be replaced.

In cases where Novameta decides to replace defective products or components with new ones, the distributor will be billed the full amount for the goods when they are sent. This amount will then be credited when the defective product or components is returned to Novameta and it is established that the defective product or component is covered by the warranty.

With regard to the transport of products and components, Novameta will pay the freight of new or repaired products and components, while the distributor will pay the freight for defective goods that are returned (and any other costs related to the return of the goods). The warranty does not cover expenses of the service procedures performed. Novameta does not provide service.

Unless otherwise agreed in writing, the defective product or component should always be returned to Novameta: Draugystės g. 15D, LT-51227 Kaunas, Lithuania.

Cancellations

If an order cancellation request is made after confirmation of drawing and proforma invoice, adjustments are not possible and production cannot be stopped. In case of cancellation product will be charged in full.

Shipping and packing

Novameta will pack products for shipment in Novameta standard packaging. If the distributor has other requirements as to packing, the distributor shall contact Novameta to make special arrangements.

Delivery recommendations

Upon receipt, inspect units immediately for any shipping damage and notify carrier immediately if damage is found. It must be reported immediately (upon delivery) in writing in the CMR. Otherwise neither the Manufacturer nor the carrier can take responsibility for transport damage. All items are thoroughly inspected and carefully packed before leaving our factory, thus Novameta cannot accept responsibility for any shipping damage, however Novameta will assist in filing a claim.

Liability and Product liability

Novameta shall only be liable for defects and product liability to the extent set out herein (see particularly warranty terms). In addition to the aforesaid all liability is capped at the invoiced price of the defective product. All other liability is hereby excluded.

Choice of law and Venue

These Terms and the cooperation between Novameta and its distributors, including any disputes relating thereto, shall be governed by Lithuanian law.

Any disputes shall be settled before the Lithuanian courts, which shall have exclusive jurisdiction.

Company No. 235886490, VAT Reg. No. LT 358864917

Reg. No. 048959, Centre of Registers

IBAN: LT227300010071982293, Swedbank, AB

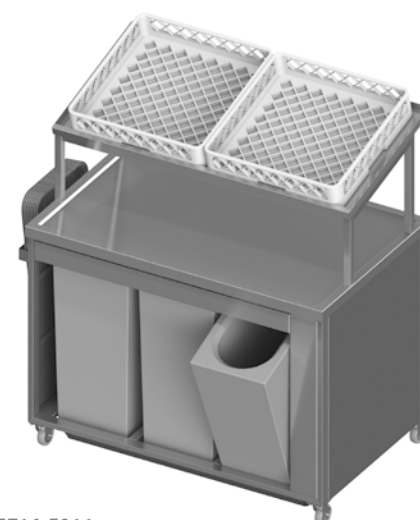
REFERENCES

COMPANY CANTEENS

- Booking.com Headquarters*
Amsterdam, Netherlands
- Novo Nordisk Pharmaceutical Company*
Bagsvaerd, Denmark
- Google Office*
Copenhagen, Denmark
- Michael Kors Distribution Centre*
Venlo, Netherlands
- Samsung Electronics Benelux Office*
Amsterdam, Netherlands
- Nordea Bank Headquarters*
Oslo, Norway
- ING Bank Office*
Amsterdam, Netherlands
- Rabobank Bank*
Eindhoven, Netherlands
- KLM Catering Services Office*
Amsterdam, Netherlands



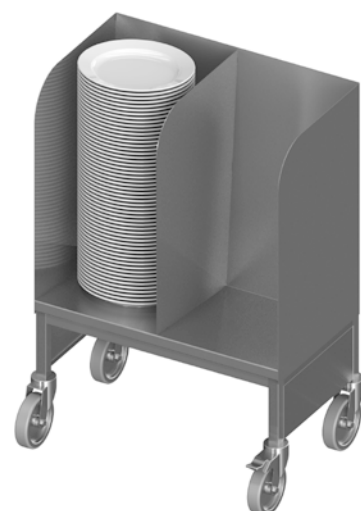
ZW16-1178



ZE16-5011

EDUCATIONAL INSTITUTIONS

- University of Wolverhampton*
Wolverhampton, United Kingdom
- Copenhagen International School*
Copenhagen, Denmark
- Farmen Barnehage Kindergarten*
Levanger, Norway



ZQ16-5027



ZD16-1148

HOTELS

- Ramada Resort Hadera Beach Hotel*
Hadera, Israel
- Hilton Slussen Hotel*
Stockholm, Sweden
- Kempinski Hotel Cathedral Square*
Vilnius, Lithuania
- Thon Hotel Chain*
Norway
- Tallink City Hotel*
Tallinn, Estonia



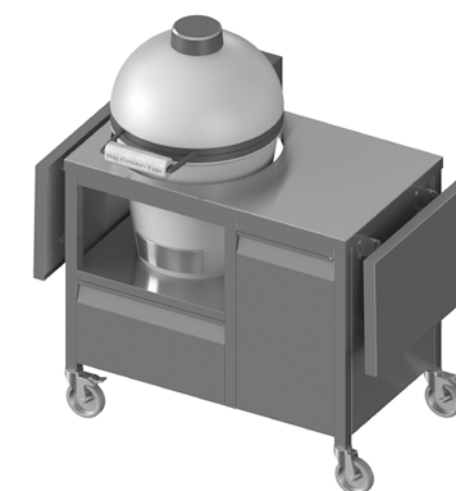
ZW16-1047



ZQ16-5044

LEISURE AND LARGE VENUES

- Royal Theatre Carre*
Amsterdam, Netherlands
- LEGOLAND Amusement Park*
Billund, Denmark
- The Well Spa Centre*
Oslo, Norway



ZW16-1006



ZA16-5007



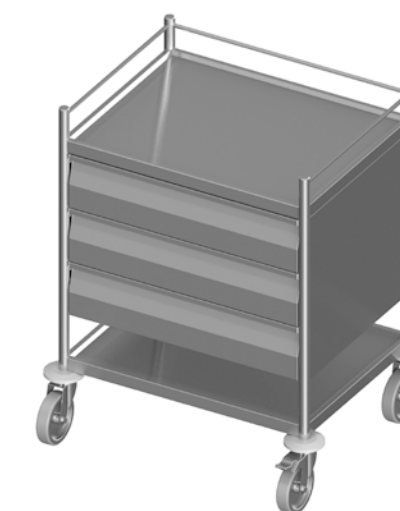
ZQ16-2001



ZD17-5003



ZY17-5002



ZI16-5005

REFERENCES

RESTAURANTS AND BARS

- TGI Fridays Bar & Restaurant*
Sweden
- Chateau Motel Nightclub*
Copenhagen, Denmark
- Happy Italy Restaurants*
Netherlands
- Milu Bar & Restaurant*
The Hague, Netherlands
- Easy Wine Bar*
Riga, Latvia
- Flammen Restaurants*
Denmark
- Bierhuis Restaurant*
Uppsala, Sweden
- Hotcha Restaurant*
Liverpool, United Kingdom

GOVERNMENT & PUBLIC SERVICES

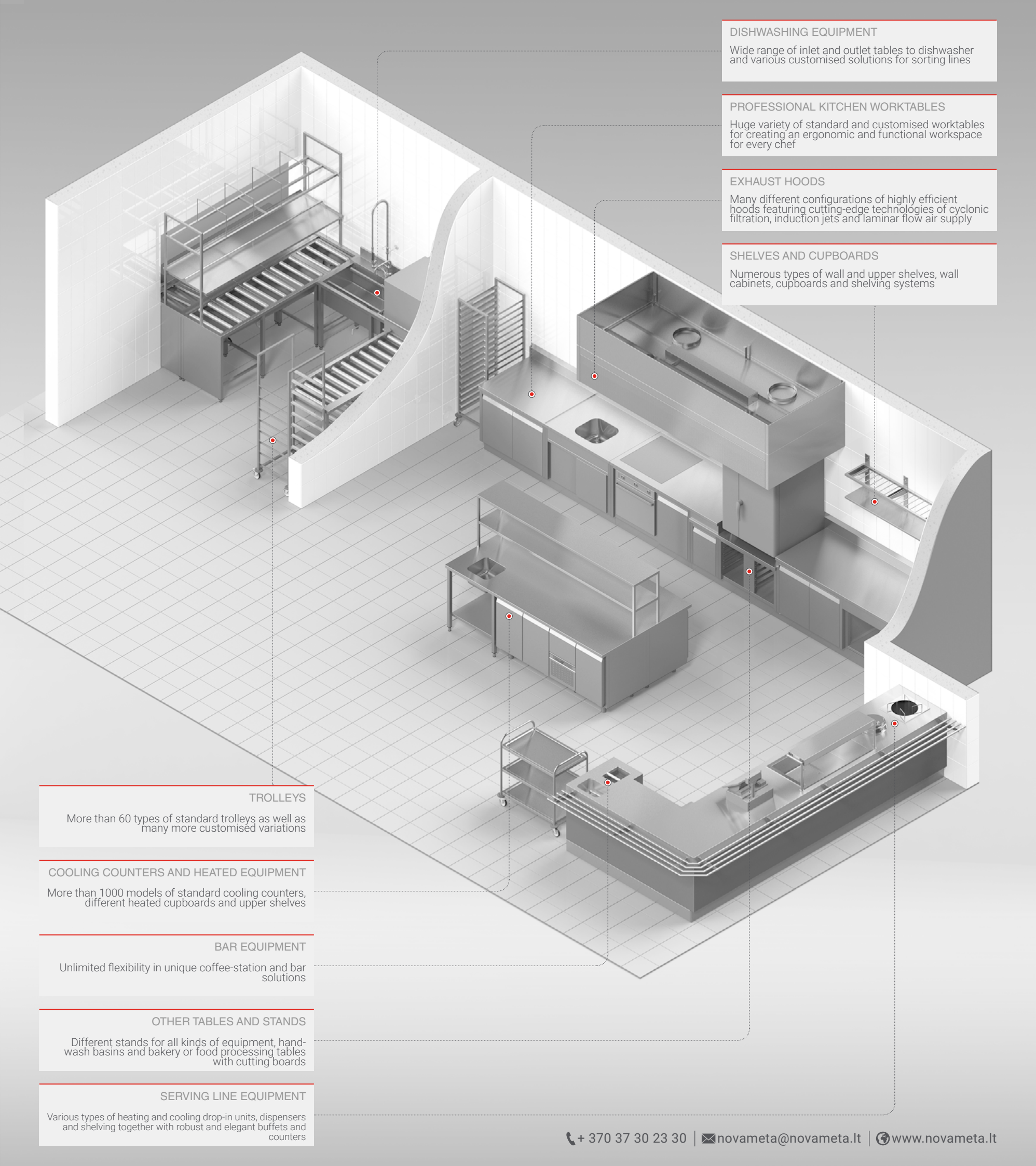
- Ministry of Economic Affairs*
The Hague, Netherlands
- Embassy of Hungary*
Stockholm, Sweden
- Statsfængslet Nordfalster Prison*
Nordfalster, Denmark

HEALTHCARE

- Mare Klinikum Medical Diagnostic Centre*
Kiel, Germany
- Wexham Park Hospital*
Slough, United Kingdom
- Zaans Medical Centre*
Zaandam, Netherlands
- Rikshospitalet Hospital*
Oslo, Norway
- Syrenparken Psychiatric Hospital*
Børkop, Denmark

SHOPS AND SUPERMARKETS

- ICA Supermarkets*
Sweden
- IKEA Stores*
Netherlands, Lithuania
- Coop Supermarkets*
Norway
- Hema Supermarkets*
Netherlands



DISHWASHING EQUIPMENT

Wide range of inlet and outlet tables to dishwasher and various customised solutions for sorting lines

PROFESSIONAL KITCHEN WORKTABLES

Huge variety of standard and customised worktables for creating an ergonomic and functional workspace for every chef

EXHAUST HOODS

Many different configurations of highly efficient hoods featuring cutting-edge technologies of cyclonic filtration, induction jets and laminar flow air supply

SHELVES AND CUPBOARDS

Numerous types of wall and upper shelves, wall cabinets, cupboards and shelving systems

TROLLEYS

More than 60 types of standard trolleys as well as many more customised variations

COOLING COUNTERS AND HEATED EQUIPMENT

More than 1000 models of standard cooling counters, different heated cupboards and upper shelves

BAR EQUIPMENT

Unlimited flexibility in unique coffee-station and bar solutions

OTHER TABLES AND STANDS

Different stands for all kinds of equipment, hand-wash basins and bakery or food processing tables with cutting boards

SERVING LINE EQUIPMENT

Various types of heating and cooling drop-in units, dispensers and shelving together with robust and elegant buffets and counters