

PRICE LIST 2017

1. PROFESSIONAL KITCHEN WORKTABLES
2. OTHER TABLES AND STANDS
3. DISHWASHING EQUIPMENT
- 4. SHELVES AND CUPBOARDS**
5. TROLLEYS
6. EXHAUST HOODS
7. BAR EQUIPMENT
8. SERVING LINE EQUIPMENT
9. COOLING COUNTERS AND HEATED EQUIPMENT
10. MODULAR TABLES

YOUR RELIABLE PARTNER

Novameta is the largest and most advanced manufacturer of stainless steel commercial kitchen equipment in Baltic and Scandinavian countries. Extensive 16-year experience, attention to details along with an innovative mindset are the key factors which have enabled **Novameta** to establish trust in 18 markets throughout Europe.

A wide range of hot, cold and neutral standard equipment, precisely engineered and crafted non-standard products combined with a short, typically 2-4 week lead time is what makes us stand out of the crowd. What is more, our experienced team is all set to provide professional support and technical advice, enabling our clients to turn their ideas to tailor made turnkey solutions.


All of our products are marketed through a professional network of distributors throughout Europe. We are proud to provide an all-round assistance to our dealers, helping them to excel in the things they do best - planning, taking care of supply, installation and service to fulfil the needs of catering, bakery and retail industries.

Our main objectives are to maintain solid positions in Europe through sustaining partnership relationships with our clients, whilst at the same time expanding into new markets worldwide. Experienced and ambitious sales team, application of up-to-date 3D CAD software in our in-house design department, employment of latest production technologies and LEAN quality management based on ISO 9001:2000 standard, have determined the rapid expansion of our sales markets and therefore the consequent quick growth of the company.






Currently, over 165 employees work in the enterprise and the production area covers 5000 m². **Novameta** manufactures over 180 different items every day, more than 1000 projects yearly!



Novameta

 Draugystės g. 15D, LT-51227 Kaunas, Lithuania
 +370 37 30 23 30
 novameta@novameta.lt
 www.novameta.lt

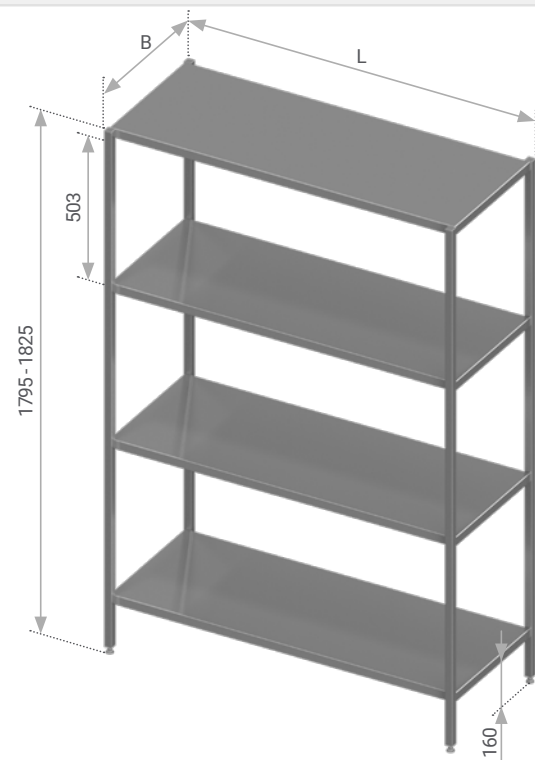
Novameta UK

 1210 Parkview, Arlington Business Park, Theale, Reading, Berkshire RG7 4TY, UK
 +44 118 965 4098
 +44 791 874 0027
 sales@novameta.co.uk
 www.novameta.co.uk

© 2017 Novameta. All rights reserved.

Novameta respects the intellectual property rights of others and expects its clients and the users of its services to do the same. All information in this publication is property of Novameta and you do not have right to disclose it to any third party without permission. Technical specifications and prices are subject to change.

CONTENTS

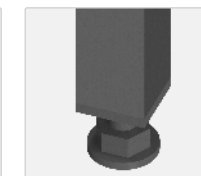
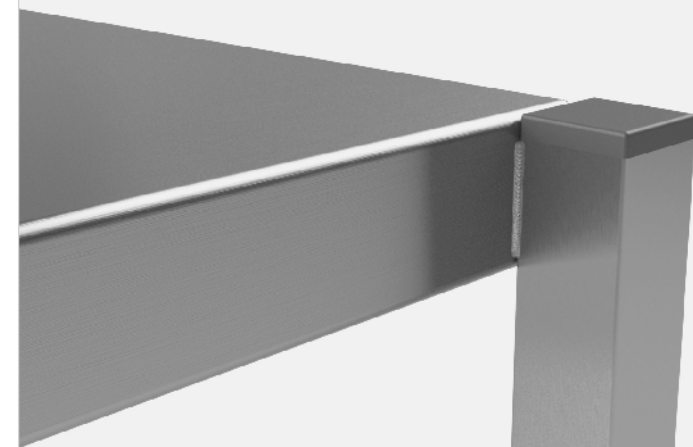


Information icon Different dimensions and configurations are available on request. Examples on page 4.50.

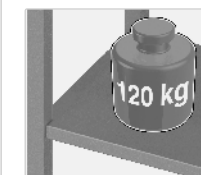
Length L, mm	Width B, mm								Legs
	400		500		600		700		
	Model	Price, €	Model	Price, €	Model	Price, €	Model	Price, €	
600	STL4-60/40/180	233	STL4-60/50/180	245	STL4-60/60/180	259	STL4-60/70/180	272	4
700	STL4-70/40/180	246	STL4-70/50/180	261	STL4-70/60/180	276	STL4-70/70/180	291	4
800	STL4-80/40/180	260	STL4-80/50/180	276	STL4-80/60/180	293	STL4-80/70/180	310	4
900	STL4-90/40/180	273	STL4-90/50/180	291	STL4-90/60/180	310	STL4-90/70/180	330	4
1000	STL4-100/40/180	286	STL4-100/50/180	307	STL4-100/60/180	327	STL4-100/70/180	348	4
1100	STL4-110/40/180	300	STL4-110/50/180	322	STL4-110/60/180	344	STL4-110/70/180	368	4
1200	STL4-120/40/180	313	STL4-120/50/180	338	STL4-120/60/180	361	STL4-120/70/180	386	4
1300	STL4-130/40/180	327	STL4-130/50/180	353	STL4-130/60/180	378	STL4-130/70/180	406	4
1400	STL4-140/40/180	340	STL4-140/50/180	369	STL4-140/60/180	394	STL4-140/70/180	424	4
1500	STL4-150/40/180	353	STL4-150/50/180	384	STL4-150/60/180	412	STL4-150/70/180	444	4
1600	STL4-160/40/180	367	STL4-160/50/180	400	STL4-160/60/180	428	STL4-160/70/180	462	4
1700	STL4-170/40/180	380	STL4-170/50/180	415	STL4-170/60/180	446	STL4-170/70/180	482	4
1800	STL4-180/40/180	393	STL4-180/50/180	431	STL4-180/60/180	462	STL4-180/70/180	501	4
1900	STL4-190/40/180	407	STL4-190/50/180	446	STL4-190/60/180	480	STL4-190/70/180	520	4
2000	STL4-200/40/180	420	STL4-200/50/180	461	STL4-200/60/180	496	STL4-200/70/180	539	4
2100	STL4-210/40/180	470	STL4-210/50/180	513	STL4-210/60/180	555	STL4-210/70/180	597	6
2200	STL4-220/40/180	483	STL4-220/50/180	528	STL4-220/60/180	573	STL4-220/70/180	617	6
2300	STL4-230/40/180	496	STL4-230/50/180	543	STL4-230/60/180	589	STL4-230/70/180	636	6
2400	STL4-240/40/180	510	STL4-240/50/180	558	STL4-240/60/180	607	STL4-240/70/180	655	6
2500	STL4-250/40/180	523	STL4-250/50/180	573	STL4-250/60/180	623	STL4-250/70/180	674	6
2600	STL4-260/40/180	537	STL4-260/50/180	588	STL4-260/60/180	641	STL4-260/70/180	693	6
2700	STL4-270/40/180	550	STL4-270/50/180	603	STL4-270/60/180	657	STL4-270/70/180	712	6
2800	STL4-280/40/180	563	STL4-280/50/180	618	STL4-280/60/180	675	STL4-280/70/180	731	6
2900	STL4-290/40/180	577	STL4-290/50/180	632	STL4-290/60/180	691	STL4-290/70/180	750	6

STANDARD FEATURES

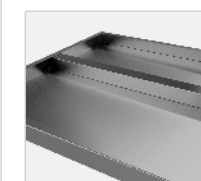
HEAVY DUTY WELDED CONSTRUCTION



Adjustable hard plastic feet (amplitude 30 mm +25/-5)



Welded frame
Legs made of stainless steel tube 25 x 25 mm
Max loading 120 kg/shelf (uniform layout)



Shelf made with reinforcement profile

OPTIONAL FEATURES



Set of galvanized wheels Ø125 mm, 2 pcs with brakes

Code: A-ST-RC125
Price: 108 €



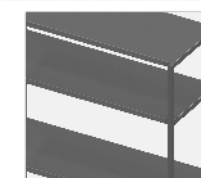
Set of stainless steel wheels Ø125mm, 2 pcs with brakes

Code: A-ST-RN125
Price: 192 €



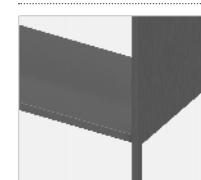
Additional shelf

Code: STL5
Price/shelf: +22%



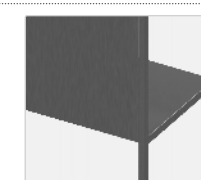
Customised layout of shelves

Code: A-ST-PE
Price: 30 €



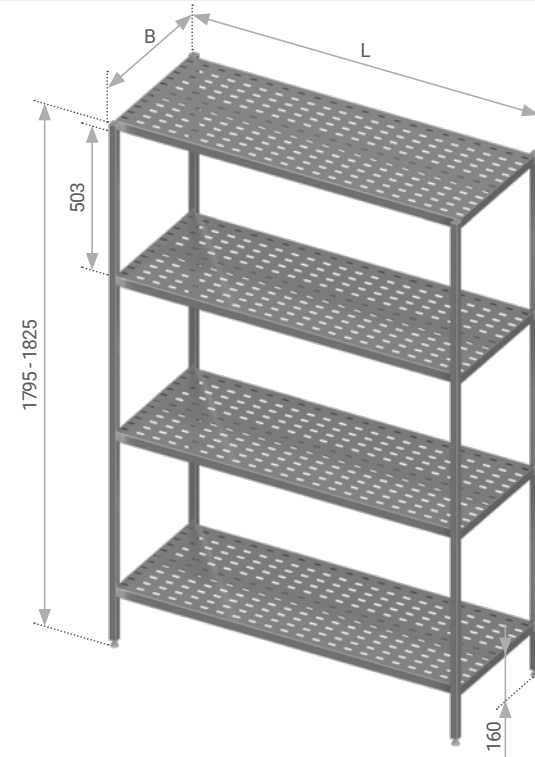
Side panel

Code: A-STU-K (left)
A-STU-D (right)
Price/pc: 66 €



Rear panel

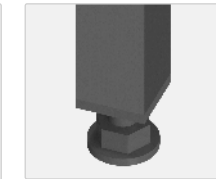
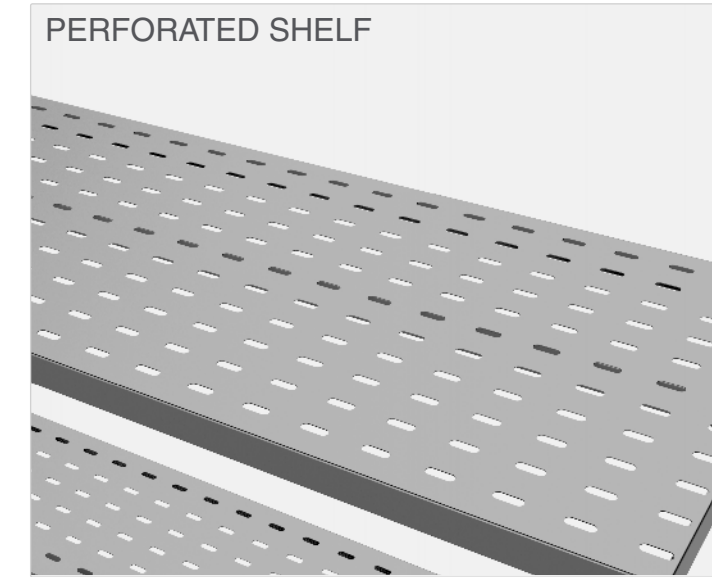
Code: A-STU-G
Price: +14%
Note: 2 parts from 1600 mm



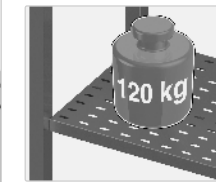
Information icon Different dimensions and configurations are available on request. Examples on page 4.50.

Length L, mm	Width B, mm								Legs
	400		500		600		700		
	Model	Price, €	Model	Price, €	Model	Price, €	Model	Price, €	
600	STP4-60/40/180	283	STP4-60/50/180	300	STP4-60/60/180	315	STP4-60/70/180	332	4
700	STP4-70/40/180	300	STP4-70/50/180	318	STP4-70/60/180	336	STP4-70/70/180	354	4
800	STP4-80/40/180	315	STP4-80/50/180	336	STP4-80/60/180	357	STP4-80/70/180	378	4
900	STP4-90/40/180	332	STP4-90/50/180	354	STP4-90/60/180	378	STP4-90/70/180	401	4
1000	STP4-100/40/180	347	STP4-100/50/180	373	STP4-100/60/180	399	STP4-100/70/180	424	4
1100	STP4-110/40/180	364	STP4-110/50/180	391	STP4-110/60/180	419	STP4-110/70/180	447	4
1200	STP4-120/40/180	380	STP4-120/50/180	410	STP4-120/60/180	440	STP4-120/70/180	471	4
1300	STP4-130/40/180	396	STP4-130/50/180	428	STP4-130/60/180	461	STP4-130/70/180	493	4
1400	STP4-140/40/180	412	STP4-140/50/180	447	STP4-140/60/180	482	STP4-140/70/180	517	4
1500	STP4-150/40/180	427	STP4-150/50/180	466	STP4-150/60/180	503	STP4-150/70/180	540	4
1600	STP4-160/40/180	444	STP4-160/50/180	484	STP4-160/60/180	523	STP4-160/70/180	563	4
1700	STP4-170/40/180	459	STP4-170/50/180	502	STP4-170/60/180	545	STP4-170/70/180	587	4
1800	STP4-180/40/180	476	STP4-180/50/180	520	STP4-180/60/180	565	STP4-180/70/180	610	4
1900	STP4-190/40/180	492	STP4-190/50/180	539	STP4-190/60/180	586	STP4-190/70/180	633	4
2000	STP4-200/40/180	508	STP4-200/50/180	557	STP4-200/60/180	607	STP4-200/70/180	656	4
2100	STP4-210/40/180	574	STP4-210/50/180	625	STP4-210/60/180	678	STP4-210/70/180	729	6
2200	STP4-220/40/180	589	STP4-220/50/180	644	STP4-220/60/180	697	STP4-220/70/180	752	6
2300	STP4-230/40/180	605	STP4-230/50/180	661	STP4-230/60/180	718	STP4-230/70/180	775	6
2400	STP4-240/40/180	621	STP4-240/50/180	680	STP4-240/60/180	739	STP4-240/70/180	797	6
2500	STP4-250/40/180	637	STP4-250/50/180	698	STP4-250/60/180	759	STP4-250/70/180	821	6
2600	STP4-260/40/180	652	STP4-260/50/180	716	STP4-260/60/180	780	STP4-260/70/180	844	6
2700	STP4-270/40/180	668	STP4-270/50/180	734	STP4-270/60/180	800	STP4-270/70/180	866	6
2800	STP4-280/40/180	684	STP4-280/50/180	752	STP4-280/60/180	821	STP4-280/70/180	889	6
2900	STP4-290/40/180	699	STP4-290/50/180	770	STP4-290/60/180	842	STP4-290/70/180	913	6

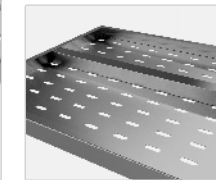
STANDARD FEATURES



Adjustable hard plastic feet (amplitude 30 mm +25/-5)



Welded frame
Legs made of stainless steel tube 25 x 25 mm
Max loading 120 kg/shelf (uniform layout)



Shelf made with reinforcement profile

OPTIONAL FEATURES



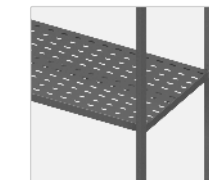
Set of galvanized wheels Ø125 mm, 2 pcs with brakes

Code: A-ST-RC125
Price: 108 €



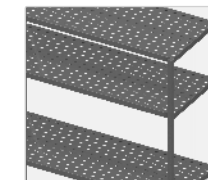
Set of stainless steel wheels Ø125mm, 2 pcs with brakes

Code: A-ST-RN125
Price: 192 €



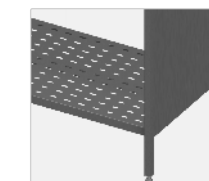
Additional shelf

Code: STP5
Price/shelf: +22%



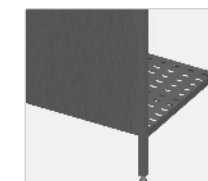
Customised layout of shelves

Code: A-ST-PE
Price: 30 €



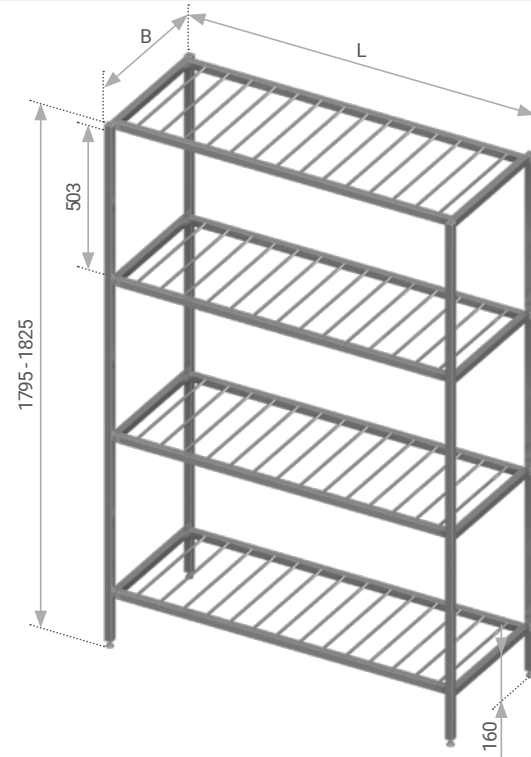
Side panel

Code: A-STU-K (left)
A-STU-D (right)
Price/pc: 66 €



Rear panel

Code: A-STU-G
Price: +12%
Note: 2 parts from 1600 mm

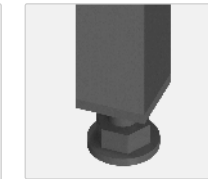
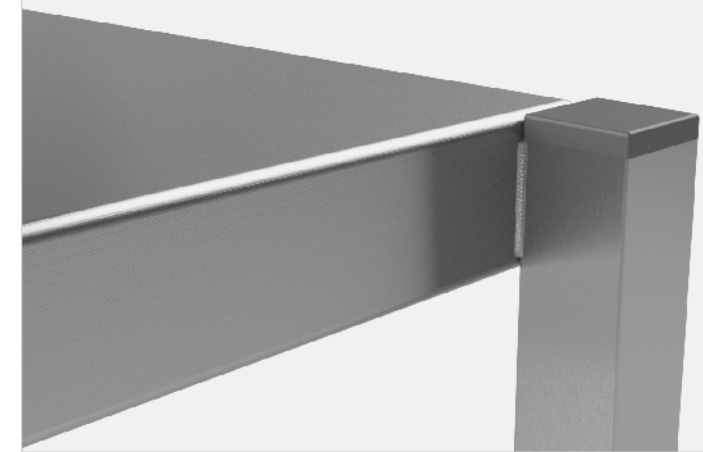


Information icon Different dimensions and configurations are available on request. Examples on page 4.50.

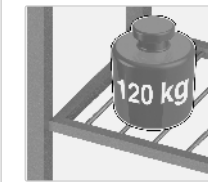
Length L, mm	Width B, mm								Legs
	400		500		600		700		
	Model	Price, €	Model	Price, €	Model	Price, €	Model	Price, €	
600	STS4-60/40/180	448	STS4-60/50/180	464	STS4-60/60/180	478	STS4-60/70/180	493	4
700	STS4-70/40/180	470	STS4-70/50/180	487	STS4-70/60/180	504	STS4-70/70/180	520	4
800	STS4-80/40/180	491	STS4-80/50/180	510	STS4-80/60/180	528	STS4-80/70/180	547	4
900	STS4-90/40/180	513	STS4-90/50/180	534	STS4-90/60/180	554	STS4-90/70/180	574	4
1000	STS4-100/40/180	535	STS4-100/50/180	556	STS4-100/60/180	579	STS4-100/70/180	600	4
1100	STS4-110/40/180	556	STS4-110/50/180	580	STS4-110/60/180	605	STS4-110/70/180	627	4
1200	STS4-120/40/180	578	STS4-120/50/180	603	STS4-120/60/180	629	STS4-120/70/180	654	4
1300	STS4-130/40/180	599	STS4-130/50/180	626	STS4-130/60/180	655	STS4-130/70/180	681	4
1400	STS4-140/40/180	621	STS4-140/50/180	649	STS4-140/60/180	680	STS4-140/70/180	708	4
1500	STS4-150/40/180	643	STS4-150/50/180	673	STS4-150/60/180	706	STS4-150/70/180	734	4
1600	STS4-160/40/180	664	STS4-160/50/180	695	STS4-160/60/180	730	STS4-160/70/180	761	4
1700	STS4-170/40/180	686	STS4-170/50/180	719	STS4-170/60/180	756	STS4-170/70/180	788	4
1800	STS4-180/40/180	708	STS4-180/50/180	742	STS4-180/60/180	781	STS4-180/70/180	815	4
1900	STS4-190/40/180	729	STS4-190/50/180	765	STS4-190/60/180	806	STS4-190/70/180	842	4
2000	STS4-200/40/180	751	STS4-200/50/180	788	STS4-200/60/180	831	STS4-200/70/180	868	4
2100	STS4-210/40/180	766	STS4-210/50/180	805	STS4-210/60/180	846	STS4-210/70/180	886	6
2200	STS4-220/40/180	794	STS4-220/50/180	835	STS4-220/60/180	877	STS4-220/70/180	919	6
2300	STS4-230/40/180	821	STS4-230/50/180	865	STS4-230/60/180	907	STS4-230/70/180	951	6
2400	STS4-240/40/180	849	STS4-240/50/180	895	STS4-240/60/180	938	STS4-240/70/180	984	6
2500	STS4-250/40/180	876	STS4-250/50/180	925	STS4-250/60/180	969	STS4-250/70/180	1016	6
2600	STS4-260/40/180	903	STS4-260/50/180	955	STS4-260/60/180	1000	STS4-260/70/180	1049	6
2700	STS4-270/40/180	930	STS4-270/50/180	985	STS4-270/60/180	1031	STS4-270/70/180	1080	6
2800	STS4-280/40/180	958	STS4-280/50/180	1015	STS4-280/60/180	1062	STS4-280/70/180	1113	6
2900	STS4-290/40/180	985	STS4-290/50/180	1044	STS4-290/60/180	1093	STS4-290/70/180	1145	6

STANDARD FEATURES

HEAVY DUTY WELDED CONSTRUCTION



Adjustable hard plastic feet (amplitude 30 mm +25/-5)



Welded frame
Legs made of stainless steel tube 25 x 25 mm
Max loading 120 kg/shelf (uniform layout)

OPTIONAL FEATURES



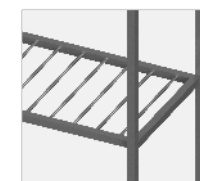
Set of galvanized wheels Ø125 mm, 2 pcs with brakes

Code: A-ST-RC125
Price: 108 €



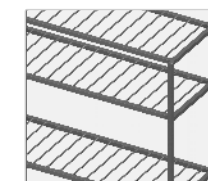
Set of stainless steel wheels Ø125mm, 2 pcs with brakes

Code: A-ST-RN125
Price: 192 €



Additional shelf

Code: STS5
Price/shelf: +22%



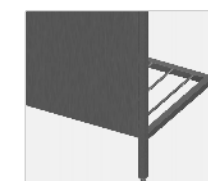
Customised layout of shelves

Code: A-ST-PE
Price: 30 €



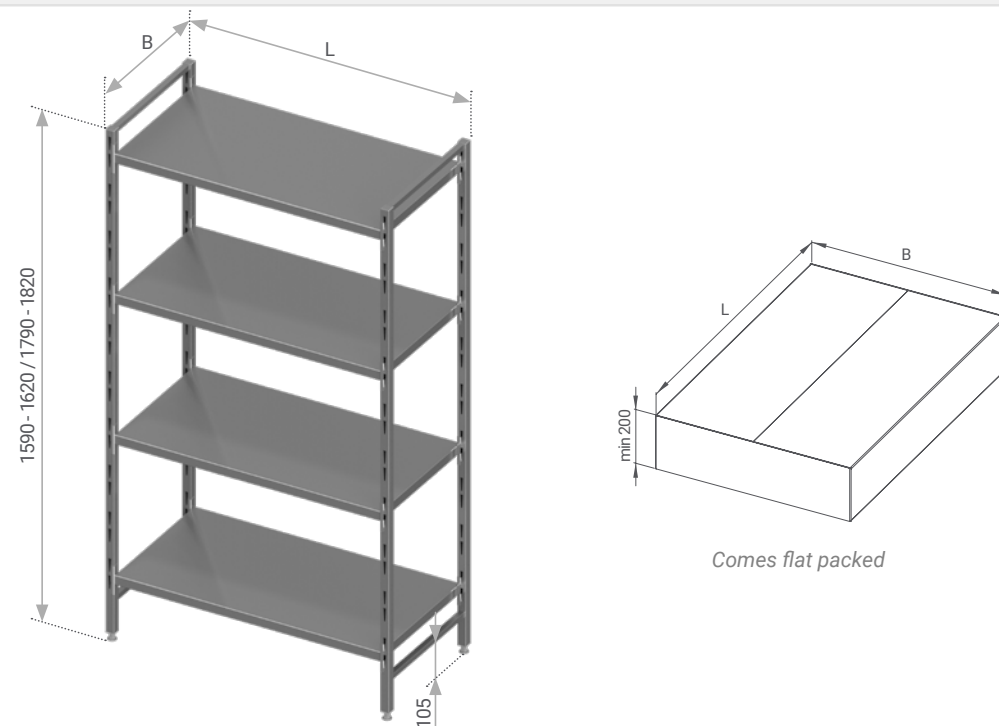
Side panel

Code: A-STU-K (left)
A-STU-D (right)
Price/pc: 66 €



Rear panel

Code: A-STU-G
Price: +8%
Note: 2 parts from 1600 mm



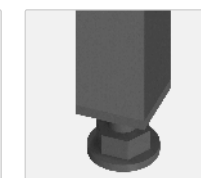
Comes flat packed

Information icon Different dimensions and configurations are available on request. Examples on page 4.50.

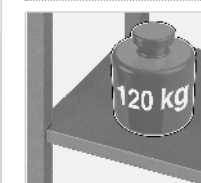
Length L, mm	Width B, mm						Legs
	400		508		600		
	Model	Price, €	Model	Price, €	Model	Price, €	
600	SRL4-60/40/180	260	SRL4-60/51/180	274	SRL4-60/60/180	289	4
700	SRL4-70/40/180	269	SRL4-70/51/180	286	SRL4-70/60/180	304	4
800	SRL4-80/40/180	279	SRL4-80/51/180	299	SRL4-80/60/180	318	4
900	SRL4-90/40/180	289	SRL4-90/51/180	311	SRL4-90/60/180	333	4
1000	SRL4-100/40/180	316	SRL4-100/51/180	340	SRL4-100/60/180	364	4
1100	SRL4-110/40/180	328	SRL4-110/51/180	353	SRL4-110/60/180	379	4
1200	SRL4-120/40/180	340	SRL4-120/51/180	367	SRL4-120/60/180	394	4
1300	SRL4-130/40/180	352	SRL4-130/51/180	381	SRL4-130/60/180	410	4
1400	SRL4-140/40/180	364	SRL4-140/51/180	394	SRL4-140/60/180	425	4
1500	SRL4-150/40/180	375	SRL4-150/51/180	408	SRL4-150/60/180	441	4
1600	SRL4-160/40/180	387	SRL4-160/51/180	422	SRL4-160/60/180	458	4
1700	SRL4-170/40/180	400	SRL4-170/51/180	437	SRL4-170/60/180	474	4
1800	SRL4-180/40/180	411	SRL4-180/51/180	450	SRL4-180/60/180	489	4
1900	SRL4-190/40/180	560	SRL4-190/51/180	604	SRL4-190/60/180	647	6
2000	SRL4-200/40/180	573	SRL4-200/51/180	618	SRL4-200/60/180	663	6
2100	SRL4-210/40/180	584	SRL4-210/51/180	632	SRL4-210/60/180	681	6
2200	SRL4-220/40/180	596	SRL4-220/51/180	647	SRL4-220/60/180	697	6
2300	SRL4-230/40/180	608	SRL4-230/51/180	659	SRL4-230/60/180	711	6
2400	SRL4-240/40/180	620	SRL4-240/51/180	674	SRL4-240/60/180	727	6
2500	SRL4-250/40/180	632	SRL4-250/51/180	688	SRL4-250/60/180	744	6
2600	SRL4-260/40/180	645	SRL4-260/51/180	702	SRL4-260/60/180	760	6
2700	SRL4-270/40/180	656	SRL4-270/51/180	716	SRL4-270/60/180	776	6
2800	SRL4-280/40/180	667	SRL4-280/51/180	730	SRL4-280/60/180	792	6
2900	SRL4-290/40/180	680	SRL4-290/51/180	744	SRL4-290/60/180	808	6
3000	SRL4-300/40/180	691	SRL4-300/51/180	757	SRL4-300/60/180	823	6
3100	SRL4-310/40/180	702	SRL4-310/51/180	770	SRL4-310/60/180	838	6
3200	SRL4-320/40/180	715	SRL4-320/51/180	785	SRL4-320/60/180	855	6
3300	SRL4-330/40/180	727	SRL4-330/51/180	799	SRL4-330/60/180	871	6
3400	SRL4-340/40/180	740	SRL4-340/51/180	814	SRL4-340/60/180	888	6
3500	SRL4-350/40/180	751	SRL4-350/51/180	827	SRL4-350/60/180	905	6
3600	SRL4-360/40/180	763	SRL4-360/51/180	842	SRL4-360/60/180	920	6

STANDARD FEATURES

EASY TO ASSEMBLE



Adjustable hard plastic feet (amplitude 30 mm +20/-10)



Legs made of stainless steel tube 30 x 30 mm
Max loading 120 kg/shelf (uniform layout)

OPTIONAL FEATURES



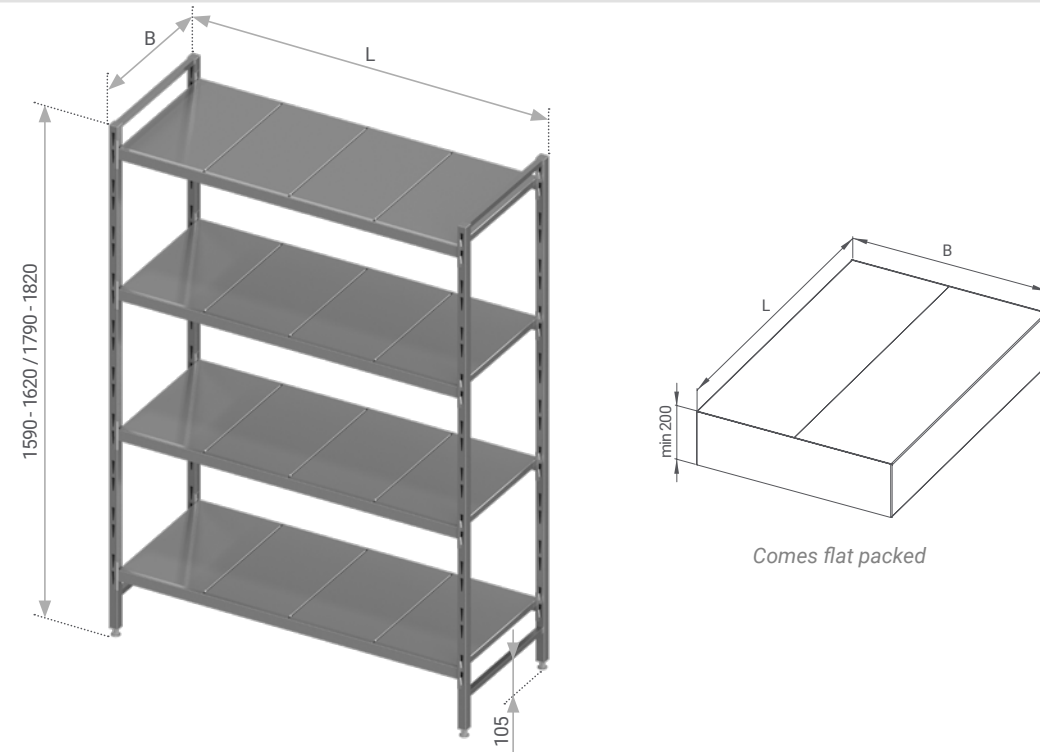
Additional shelf

Code: SRL5
Price/shelf: +22%



Lower shelving unit (height 1600 mm)

Code: H=1600
Price: Free of charge

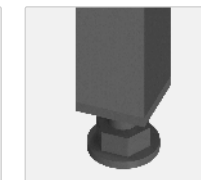
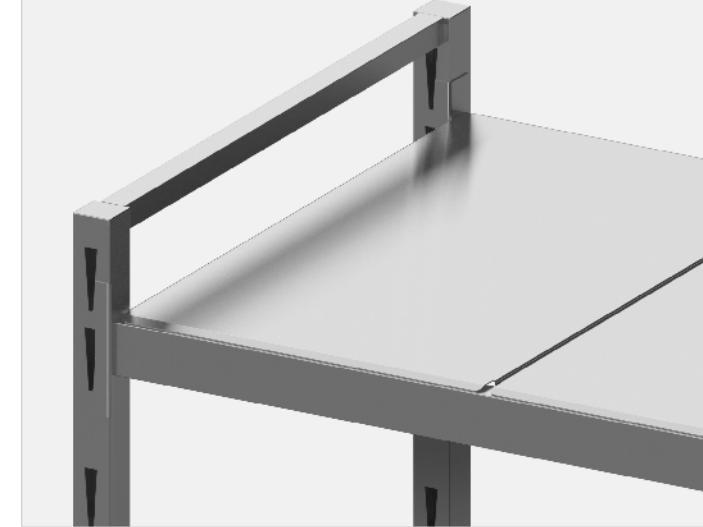


Different dimensions and configurations are available on request. Examples on page 4.50.

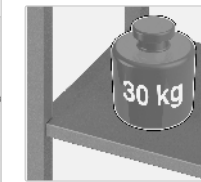
Length L, mm	Width B, mm						Legs
	400		508		600		
	Model	Price, €	Model	Price, €	Model	Price, €	
960	SRN4-96/40/180	368	SRN4-96/51/180	380	SRN4-96/60/180	401	4
1260	SRN4-126/40/180	427	SRN4-126/51/180	447	SRN4-126/60/180	474	4
1560	SRN4-156/40/180	486	SRN4-156/51/180	514	SRN4-156/60/180	547	4
1860	SRN4-186/40/180	593	SRN4-186/51/180	628	SRN4-186/60/180	667	4
2190	SRN4-219/40/180	676	SRN4-219/51/180	708	SRN4-219/60/180	740	6
2490	SRN4-249/40/180	735	SRN4-249/51/180	775	SRN4-249/60/180	814	6
2790	SRN4-279/40/180	794	SRN4-279/51/180	840	SRN4-279/60/180	887	6
3090	SRN4-309/40/180	854	SRN4-309/51/180	907	SRN4-309/60/180	961	6
3390	SRN4-339/40/180	913	SRN4-339/51/180	974	SRN4-339/60/180	1035	6
3690	SRN4-369/40/180	972	SRN4-369/51/180	1041	SRN4-369/60/180	1110	6

STANDARD FEATURES

EASY TO ASSEMBLE

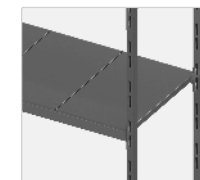


Adjustable hard plastic feet
(amplitude 30 mm +20/-10)



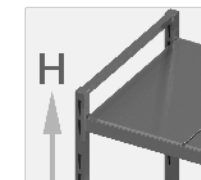
Legs made of stainless steel tube 30 x 30 mm
Max loading 30 kg/shelf (uniform layout)

OPTIONAL FEATURES



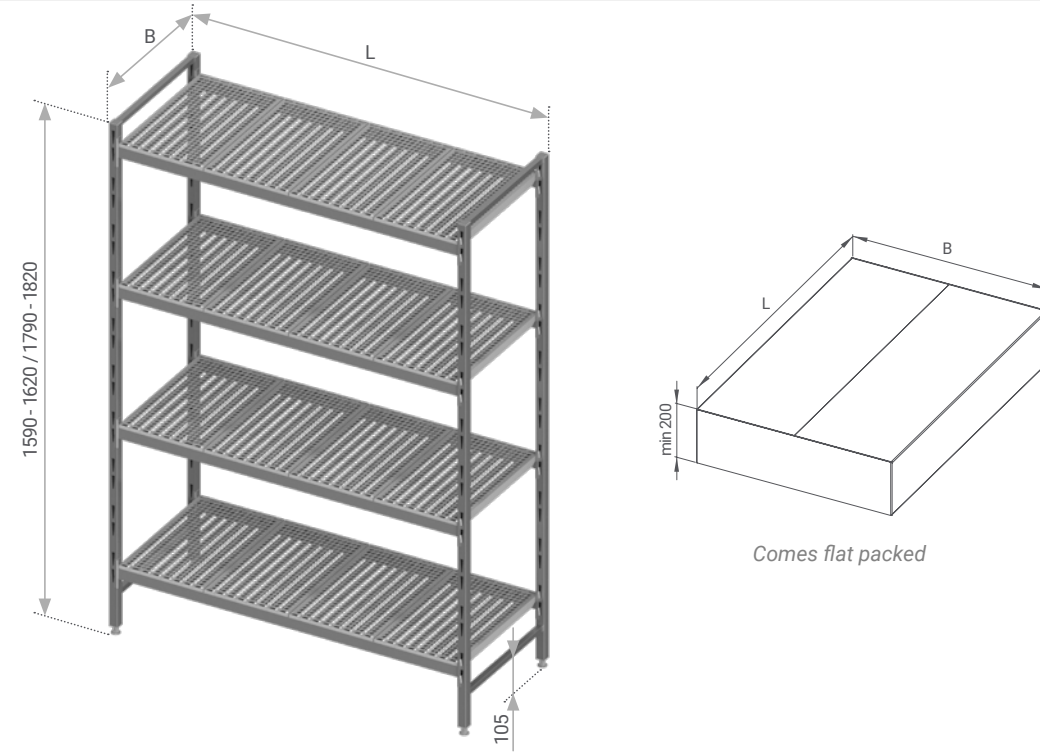
Additional shelf

Code: SRN5
Price/shelf: +18%



Lower shelving unit (height 1600 mm)

Code: H=1600
Price: Free of charge

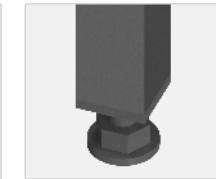
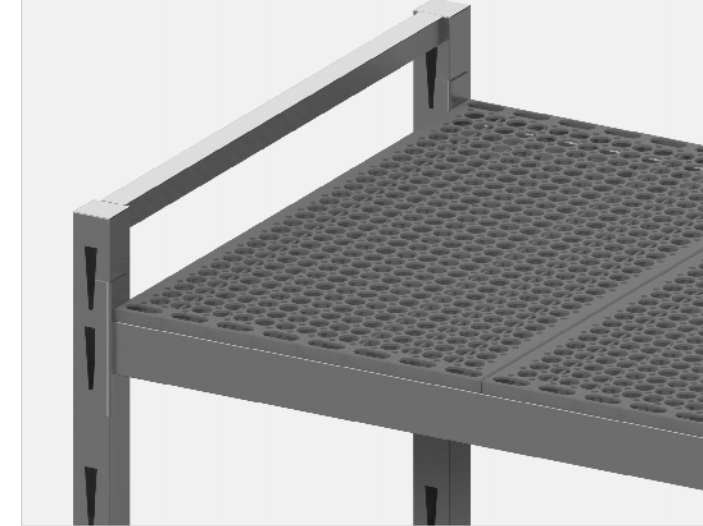


Information icon Different dimensions and configurations are available on request. Examples on page 4.50.

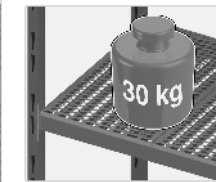
Length L, mm	Width B, mm		Legs
	508		
	Model	Price, €	
960	SRM4-96/51/180	277	4
1260	SRM4-126/51/180	306	4
1560	SRM4-156/51/180	334	4
1860	SRM4-186/51/180	363	4
2190	SRM4-219/51/180	462	6
2490	SRM4-249/51/180	491	6
2790	SRM4-279/51/180	520	6
3090	SRM4-309/51/180	577	6
3390	SRM4-339/51/180	606	6
3690	SRM4-369/51/180	634	6

STANDARD FEATURES

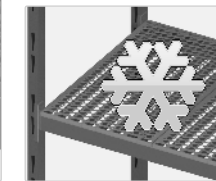
EASY TO ASSEMBLE



Adjustable hard plastic feet (amplitude 30 mm +20/-10)



Legs made of stainless steel tube 30 x 30 mm
Max loading 30 kg/shelf (uniform layout)



Suitable for use in cold rooms (-30 ... 0 °C) (with A-MSL-M shelves)



Plastic shelf (297 x 497 mm)

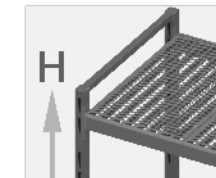
Choose:
A-MSL-M (blue) for 0 ... +30 °C or
A-MSL-Z (green) for -30 ... 0 °C

OPTIONAL FEATURES



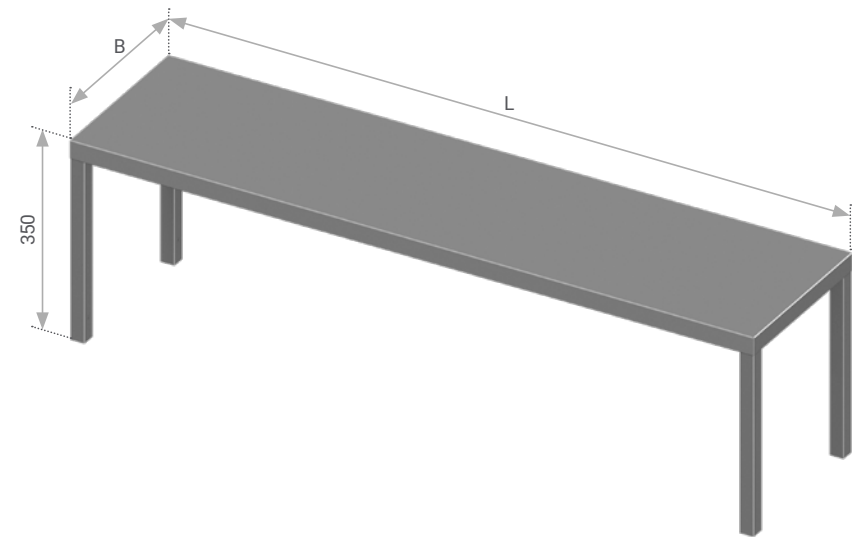
Additional shelf

Code: SRM5
Price/shelf: +18%

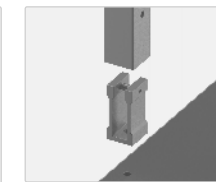


Lower shelving unit (height 1600 mm)

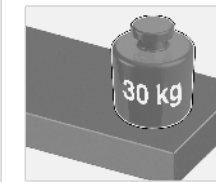
Code: H=1600
Price: Free of charge



STANDARD FEATURES



Easy to assemble. Suitable for all kinds of tables

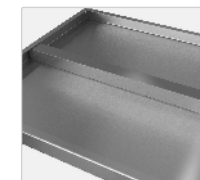


Max loading 30 kg/shelf (uniform layout)

Information icon Different dimensions and configurations are available on request. Examples on page 4.50.

Length L, mm	Width B, mm				Legs
	300		400		
	Model	Price, €	Model	Price, €	
800	LPL1-80/30/35	108	LPL1-80/40/35	114	4
900	LPL1-90/30/35	112	LPL1-90/40/35	118	4
1000	LPL1-100/30/35	115	LPL1-100/40/35	123	4
1100	LPL1-110/30/35	119	LPL1-110/40/35	127	4
1200	LPL1-120/30/35	123	LPL1-120/40/35	131	4
1300	LPL1-130/30/35	127	LPL1-130/40/35	135	4
1400	LPL1-140/30/35	130	LPL1-140/40/35	139	4
1500	LPL1-150/30/35	134	LPL1-150/40/35	143	4
1600	LPL1-160/30/35	137	LPL1-160/40/35	147	4
1700	LPL1-170/30/35	141	LPL1-170/40/35	151	4
1800	LPL1-180/30/35	144	LPL1-180/40/35	156	4
1900	LPL1-190/30/35	148	LPL1-190/40/35	160	4
2000	LPL1-200/30/35	151	LPL1-200/40/35	164	4
2100	LPL1-210/30/35	170	LPL1-210/40/35	183	6
2200	LPL1-220/30/35	173	LPL1-220/40/35	188	6
2300	LPL1-230/30/35	176	LPL1-230/40/35	193	6
2400	LPL1-240/30/35	179	LPL1-240/40/35	198	6
2500	LPL1-250/30/35	182	LPL1-250/40/35	202	6
2600	LPL1-260/30/35	185	LPL1-260/40/35	207	6
2700	LPL1-270/30/35	188	LPL1-270/40/35	211	6
2800	LPL1-280/30/35	192	LPL1-280/40/35	216	6
2900	LPL1-290/30/35	195	LPL1-290/40/35	220	6

OPTIONAL FEATURES



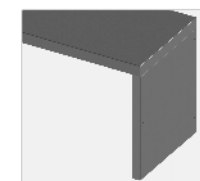
Reinforcement profile

Code: V-N-30x30
Price: +20%



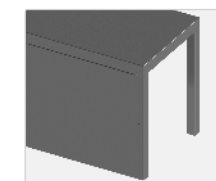
Customised shelf height

Code: Z-HEIGHT
Price: 30 €



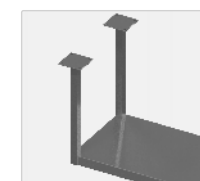
Side panel

Code: A-LP1U-K (left)
A-LP1U-D (right)
Price/pc: 18 €



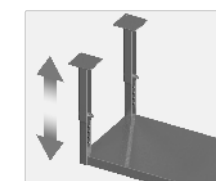
Rear panel

Code: A-LP1U-G
Price: +26%
Note: 2 parts from 2100 mm



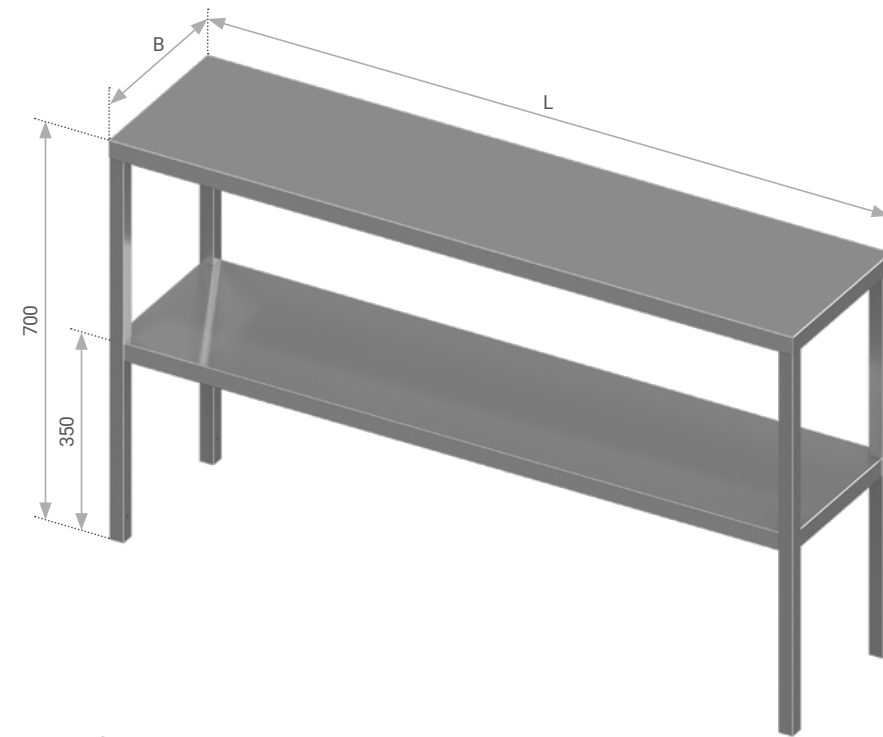
Ceiling mounting

Code: Z-CEILING
Price: Ask for price



Ceiling mounting with adjustable height (amplitude 250 mm +250/-0)

Code: Z-ADJUSTABLE
Price: Ask for price

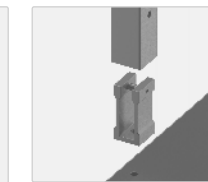
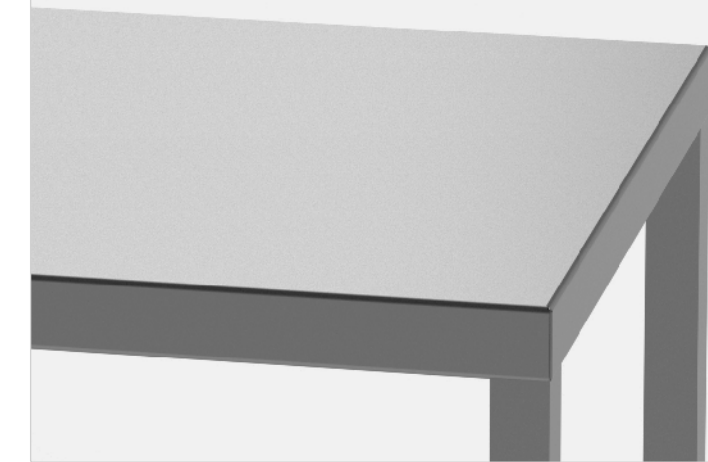


Information icon Different dimensions and configurations are available on request. Examples on page 4.50.

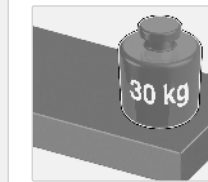
Length L, mm	Width B, mm				Legs
	300		400		
	Model	Price, €	Model	Price, €	
800	LPL2-80/30/70	159	LPL2-80/40/70	169	4
900	LPL2-90/30/70	164	LPL2-90/40/70	175	4
1000	LPL2-100/30/70	168	LPL2-100/40/70	181	4
1100	LPL2-110/30/70	173	LPL2-110/40/70	187	4
1200	LPL2-120/30/70	177	LPL2-120/40/70	194	4
1300	LPL2-130/30/70	182	LPL2-130/40/70	200	4
1400	LPL2-140/30/70	186	LPL2-140/40/70	206	4
1500	LPL2-150/30/70	192	LPL2-150/40/70	212	4
1600	LPL2-160/30/70	196	LPL2-160/40/70	218	4
1700	LPL2-170/30/70	201	LPL2-170/40/70	225	4
1800	LPL2-180/30/70	205	LPL2-180/40/70	231	4
1900	LPL2-190/30/70	210	LPL2-190/40/70	237	4
2000	LPL2-200/30/70	214	LPL2-200/40/70	243	4
2100	LPL2-210/30/70	248	LPL2-210/40/70	274	6
2200	LPL2-220/30/70	253	LPL2-220/40/70	280	6
2300	LPL2-230/30/70	259	LPL2-230/40/70	286	6
2400	LPL2-240/30/70	264	LPL2-240/40/70	293	6
2500	LPL2-250/30/70	269	LPL2-250/40/70	299	6
2600	LPL2-260/30/70	274	LPL2-260/40/70	305	6
2700	LPL2-270/30/70	279	LPL2-270/40/70	311	6
2800	LPL2-280/30/70	284	LPL2-280/40/70	317	6
2900	LPL2-290/30/70	289	LPL2-290/40/70	323	6

STANDARD FEATURES

HYGIENIC WELDING

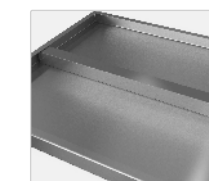


Easy to assemble. Suitable for all kinds of tables



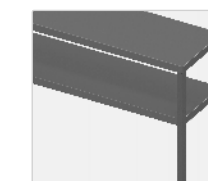
Max loading 30 kg/shelf (uniform layout)

OPTIONAL FEATURES



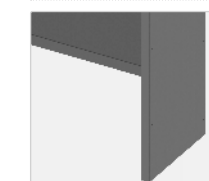
Reinforcement profile

Code: V-N-30x30
Price: +20%



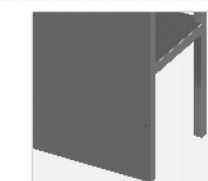
Customised layout of shelves

Code: A-L-PE
Price: 30 €



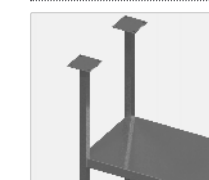
Side panel

Code: A-LP2U-K (left)
A-LP2U-D (right)
Price/pc: 23 €



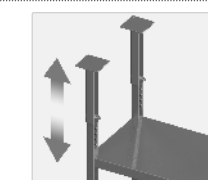
Rear panel

Code: A-LP2U-G
Price: +29%
Note: 2 parts from 2100 mm



Ceiling mounting

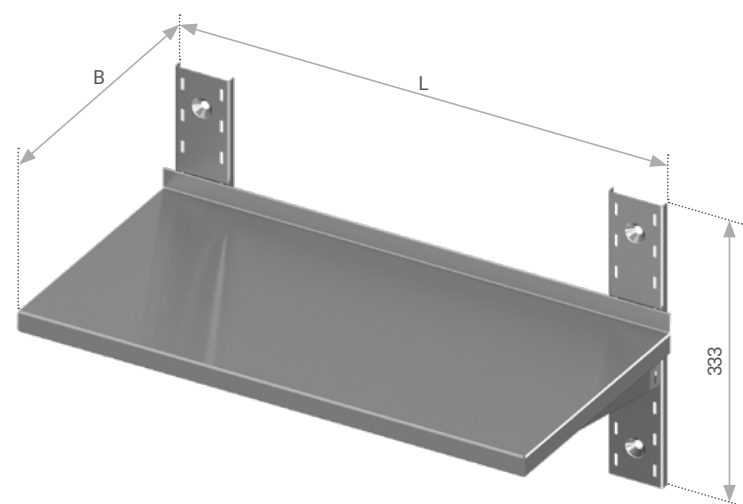
Code: Z-CEILING
Price: Ask for price



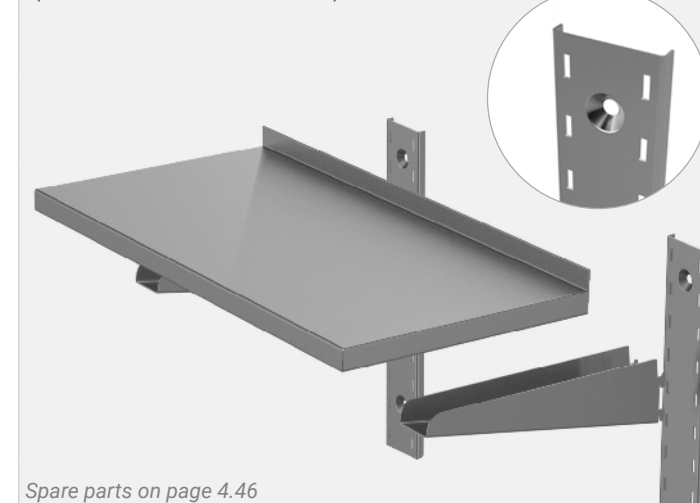
Ceiling mounting with adjustable height (amplitude 250 mm +250/-0)

Code: Z-ADJUSTABLE
Price: Ask for price

STANDARD FEATURES



EASY TO ASSEMBLE
(bracket thickness 10 mm)



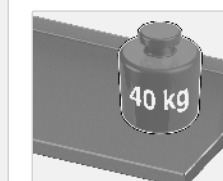
Spare parts on page 4.46



Easy to change height of the shelf



Heavy duty double bracket



Max loading 40 kg/shelf (uniform layout)

Information icon Different dimensions and configurations are available on request. Examples on page 4.50.

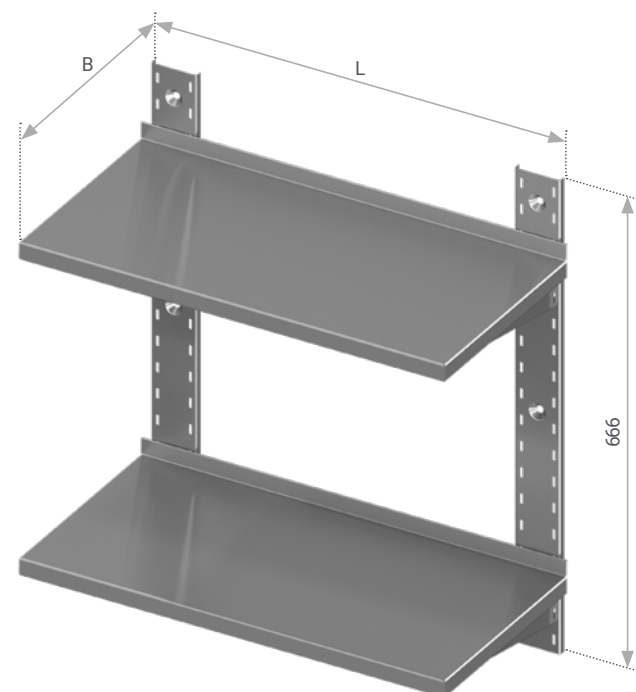
Length L, mm	Width B, mm						Brackets
	300		400		500		
	Model	Price, €	Model	Price, €	Model	Price, €	
500	LSL1-50/30/33	87	LSL1-50/40/33	93	LSL1-50/50/33	99	2
600	LSL1-60/30/33	89	LSL1-60/40/33	96	LSL1-60/50/33	103	2
700	LSL1-70/30/33	91	LSL1-70/40/33	99	LSL1-70/50/33	107	2
800	LSL1-80/30/33	93	LSL1-80/40/33	101	LSL1-80/50/33	109	2
900	LSL1-90/30/33	96	LSL1-90/40/33	104	LSL1-90/50/33	112	2
1000	LSL1-100/30/33	98	LSL1-100/40/33	107	LSL1-100/50/33	116	2
1100	LSL1-110/30/33	100	LSL1-110/40/33	110	LSL1-110/50/33	121	2
1200	LSL1-120/30/33	102	LSL1-120/40/33	112	LSL1-120/50/33	123	2
1300	LSL1-130/30/33	104	LSL1-130/40/33	115	LSL1-130/50/33	127	2
1400	LSL1-140/30/33	107	LSL1-140/40/33	118	LSL1-140/50/33	130	2
1500	LSL1-150/30/33	109	LSL1-150/40/33	121	LSL1-150/50/33	132	2
1600	LSL1-160/30/33	134	LSL1-160/40/33	148	LSL1-160/50/33	163	3
1700	LSL1-170/30/33	136	LSL1-170/40/33	151	LSL1-170/50/33	167	3
1800	LSL1-180/30/33	138	LSL1-180/40/33	153	LSL1-180/50/33	169	3
1900	LSL1-190/30/33	141	LSL1-190/40/33	157	LSL1-190/50/33	172	3
2000	LSL1-200/30/33	143	LSL1-200/40/33	159	LSL1-200/50/33	174	3
2100	LSL1-210/30/33	145	LSL1-210/40/33	162	LSL1-210/50/33	178	3
2200	LSL1-220/30/33	147	LSL1-220/40/33	164	LSL1-220/50/33	180	3
2300	LSL1-230/30/33	149	LSL1-230/40/33	167	LSL1-230/50/33	184	3
2400	LSL1-240/30/33	152	LSL1-240/40/33	169	LSL1-240/50/33	185	3
2500	LSL1-250/30/33	177	LSL1-250/40/33	198	LSL1-250/50/33	218	4
2600	LSL1-260/30/33	179	LSL1-260/40/33	201	LSL1-260/50/33	222	4
2700	LSL1-270/30/33	181	LSL1-270/40/33	203	LSL1-270/50/33	225	4
2800	LSL1-280/30/33	183	LSL1-280/40/33	206	LSL1-280/50/33	229	4
2900	LSL1-290/30/33	185	LSL1-290/40/33	208	LSL1-290/50/33	231	4

OPTIONAL FEATURES



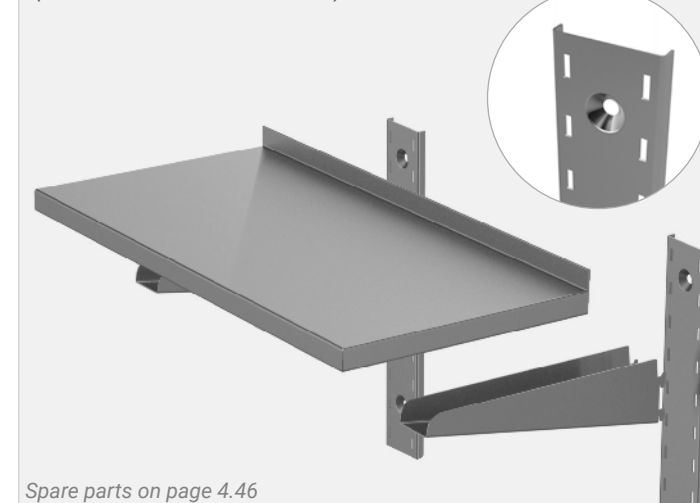
Wall brackets 30 mm thick (2 pcs.)

Code: LSL-00.03
Price: 32 €



STANDARD FEATURES

EASY TO ASSEMBLE
(bracket thickness 10 mm)



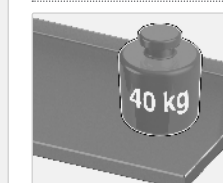
Spare parts on page 4.46



Easy to change height of the shelf



Heavy duty double bracket



Max loading 40 kg/shelf (uniform layout)

Information icon Different dimensions and configurations are available on request. Examples on page 4.50.

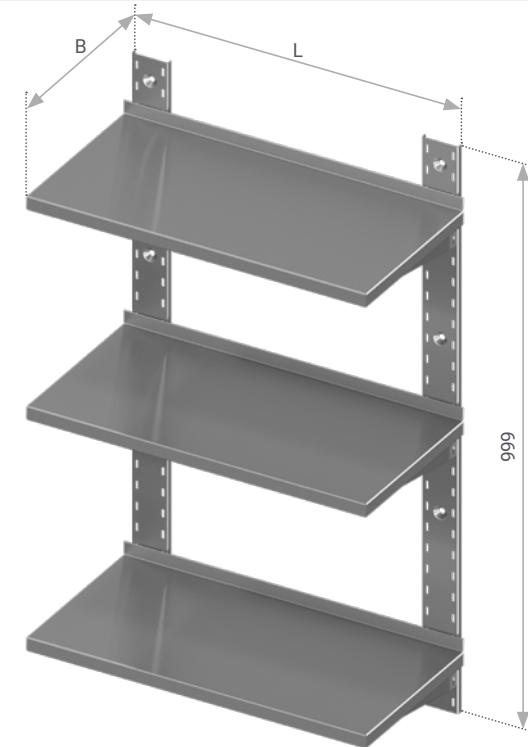
Length L, mm	Width B, mm						Brackets
	300		400		500		
	Model	Price, €	Model	Price, €	Model	Price, €	
500	LSL2-50/30/66	144	LSL2-50/40/66	158	LSL2-50/50/66	172	2
600	LSL2-60/30/66	150	LSL2-60/40/66	164	LSL2-60/50/66	177	2
700	LSL2-70/30/66	156	LSL2-70/40/66	170	LSL2-70/50/66	184	2
800	LSL2-80/30/66	160	LSL2-80/40/66	175	LSL2-80/50/66	191	2
900	LSL2-90/30/66	165	LSL2-90/40/66	181	LSL2-90/50/66	198	2
1000	LSL2-100/30/66	169	LSL2-100/40/66	186	LSL2-100/50/66	204	2
1100	LSL2-110/30/66	174	LSL2-110/40/66	193	LSL2-110/50/66	211	2
1200	LSL2-120/30/66	178	LSL2-120/40/66	198	LSL2-120/50/66	217	2
1300	LSL2-130/30/66	183	LSL2-130/40/66	204	LSL2-130/50/66	225	2
1400	LSL2-140/30/66	187	LSL2-140/40/66	209	LSL2-140/50/66	231	2
1500	LSL2-150/30/66	193	LSL2-150/40/66	215	LSL2-150/50/66	238	2
1600	LSL2-160/30/66	230	LSL2-160/40/66	258	LSL2-160/50/66	285	3
1700	LSL2-170/30/66	234	LSL2-170/40/66	263	LSL2-170/50/66	291	3
1800	LSL2-180/30/66	238	LSL2-180/40/66	268	LSL2-180/50/66	298	3
1900	LSL2-190/30/66	243	LSL2-190/40/66	274	LSL2-190/50/66	305	3
2000	LSL2-200/30/66	247	LSL2-200/40/66	279	LSL2-200/50/66	311	3
2100	LSL2-210/30/66	251	LSL2-210/40/66	284	LSL2-210/50/66	317	3
2200	LSL2-220/30/66	255	LSL2-220/40/66	289	LSL2-220/50/66	323	3
2300	LSL2-230/30/66	260	LSL2-230/40/66	295	LSL2-230/50/66	330	3
2400	LSL2-240/30/66	264	LSL2-240/40/66	301	LSL2-240/50/66	338	3
2500	LSL2-250/30/66	305	LSL2-250/40/66	345	LSL2-250/50/66	385	4
2600	LSL2-260/30/66	309	LSL2-260/40/66	351	LSL2-260/50/66	393	4
2700	LSL2-270/30/66	313	LSL2-270/40/66	357	LSL2-270/50/66	402	4
2800	LSL2-280/30/66	317	LSL2-280/40/66	364	LSL2-280/50/66	410	4
2900	LSL2-290/30/66	321	LSL2-290/40/66	370	LSL2-290/50/66	418	4

OPTIONAL FEATURES



Wall brackets 30 mm thick (2 pcs.)

Code: LSL-00.03
Price: 40 €

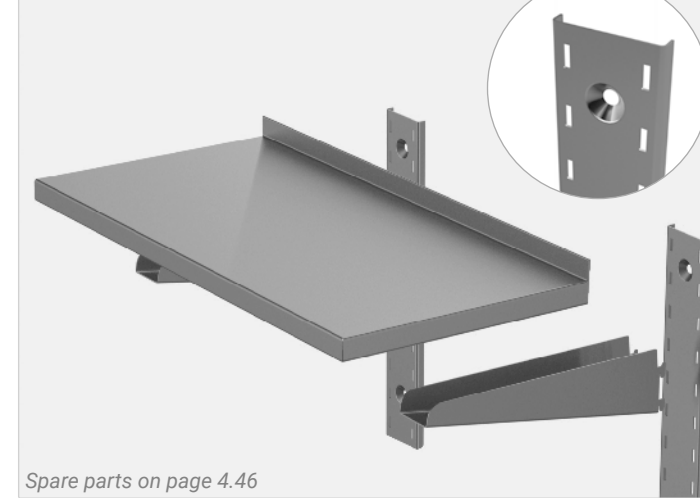


Information icon Different dimensions and configurations are available on request. Examples on page 4.50.

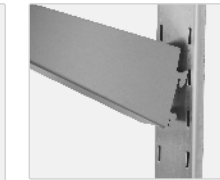
Length L, mm	Width B, mm						Brackets
	300		400		500		
	Model	Price, €	Model	Price, €	Model	Price, €	
500	LSL3-50/30/99	206	LSL3-50/40/99	223	LSL3-50/50/99	240	2
600	LSL3-60/30/99	212	LSL3-60/40/99	233	LSL3-60/50/99	253	2
700	LSL3-70/30/99	218	LSL3-70/40/99	241	LSL3-70/50/99	264	2
800	LSL3-80/30/99	225	LSL3-80/40/99	249	LSL3-80/50/99	274	2
900	LSL3-90/30/99	232	LSL3-90/40/99	258	LSL3-90/50/99	283	2
1000	LSL3-100/30/99	238	LSL3-100/40/99	266	LSL3-100/50/99	294	2
1100	LSL3-110/30/99	244	LSL3-110/40/99	274	LSL3-110/50/99	304	2
1200	LSL3-120/30/99	250	LSL3-120/40/99	282	LSL3-120/50/99	314	2
1300	LSL3-130/30/99	256	LSL3-130/40/99	290	LSL3-130/50/99	324	2
1400	LSL3-140/30/99	264	LSL3-140/40/99	299	LSL3-140/50/99	334	2
1500	LSL3-150/30/99	270	LSL3-150/40/99	307	LSL3-150/50/99	344	2
1600	LSL3-160/30/99	325	LSL3-160/40/99	367	LSL3-160/50/99	408	3
1700	LSL3-170/30/99	332	LSL3-170/40/99	375	LSL3-170/50/99	418	3
1800	LSL3-180/30/99	338	LSL3-180/40/99	383	LSL3-180/50/99	428	3
1900	LSL3-190/30/99	345	LSL3-190/40/99	391	LSL3-190/50/99	438	3
2000	LSL3-200/30/99	351	LSL3-200/40/99	400	LSL3-200/50/99	448	3
2100	LSL3-210/30/99	357	LSL3-210/40/99	408	LSL3-210/50/99	458	3
2200	LSL3-220/30/99	364	LSL3-220/40/99	416	LSL3-220/50/99	469	3
2300	LSL3-230/30/99	370	LSL3-230/40/99	424	LSL3-230/50/99	479	3
2400	LSL3-240/30/99	377	LSL3-240/40/99	433	LSL3-240/50/99	488	3
2500	LSL3-250/30/99	432	LSL3-250/40/99	493	LSL3-250/50/99	555	4
2600	LSL3-260/30/99	438	LSL3-260/40/99	502	LSL3-260/50/99	565	4
2700	LSL3-270/30/99	444	LSL3-270/40/99	510	LSL3-270/50/99	576	4
2800	LSL3-280/30/99	451	LSL3-280/40/99	518	LSL3-280/50/99	585	4
2900	LSL3-290/30/99	457	LSL3-290/40/99	526	LSL3-290/50/99	595	4

STANDARD FEATURES

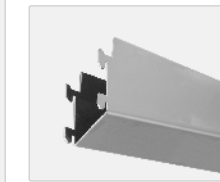
EASY TO ASSEMBLE
(bracket thickness 10 mm)



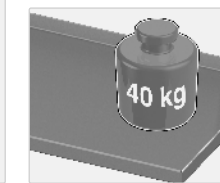
Spare parts on page 4.46



Easy to change height of the shelf



Heavy duty double bracket



Max loading 40 kg/shelf (uniform layout)

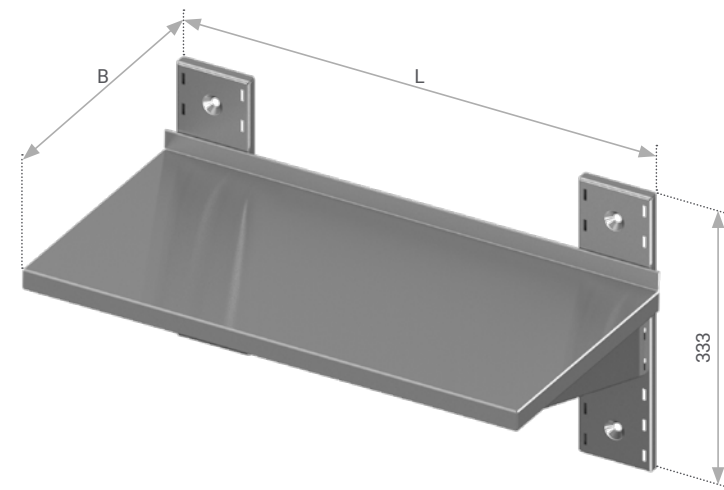
OPTIONAL FEATURES



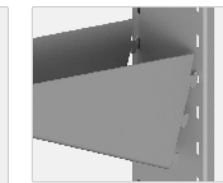
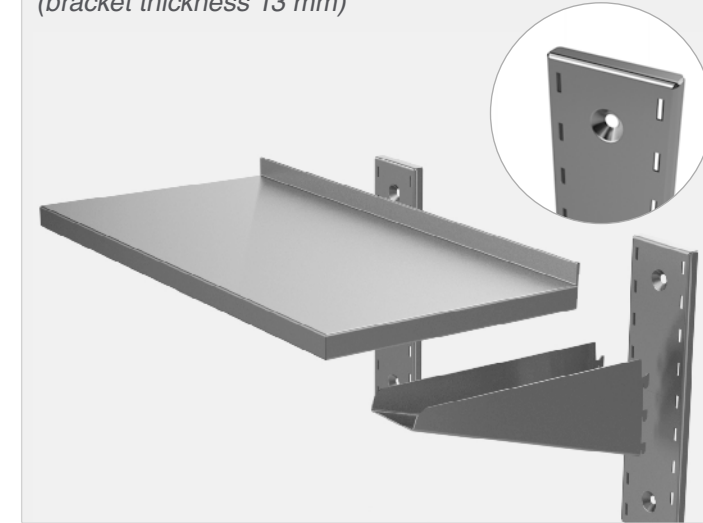
Wall brackets 30 mm thick (2 pcs.)

Code: LSL-00.03
Price: 48 €

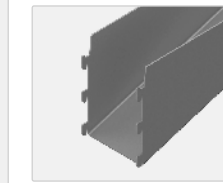
STANDARD FEATURES



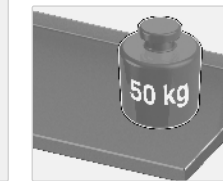
EASY TO ASSEMBLE
(bracket thickness 13 mm)



Easy to change height of the shelf



Heavy duty double bracket



Max loading 50 kg/shelf (uniform layout)

Information icon Different dimensions and configurations are available on request. Examples on page 4.50.

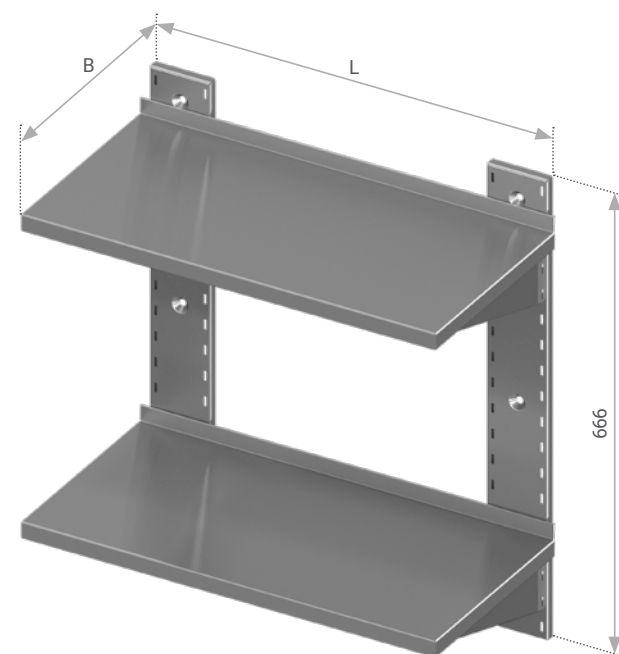
Length L, mm	Width B, mm						Brackets
	300		400		500		
	Model	Price, €	Model	Price, €	Model	Price, €	
400	LSI1-40/30/33	94	LSI1-40/40/33	104	LSI1-40/50/33	114	2
500	LSI1-50/30/33	98	LSI1-50/40/33	108	LSI1-50/50/33	118	2
600	LSI1-60/30/33	102	LSI1-60/40/33	112	LSI1-60/50/33	122	2
700	LSI1-70/30/33	106	LSI1-70/40/33	116	LSI1-70/50/33	126	2
800	LSI1-80/30/33	111	LSI1-80/40/33	121	LSI1-80/50/33	131	2
900	LSI1-90/30/33	115	LSI1-90/40/33	125	LSI1-90/50/33	135	2
1000	LSI1-100/30/33	119	LSI1-100/40/33	129	LSI1-100/50/33	139	2
1100	LSI1-110/30/33	123	LSI1-110/40/33	133	LSI1-110/50/33	143	2
1200	LSI1-120/30/33	127	LSI1-120/40/33	137	LSI1-120/50/33	147	2
1300	LSI1-130/30/33	131	LSI1-130/40/33	141	LSI1-130/50/33	151	2
1400	LSI1-140/30/33	135	LSI1-140/40/33	145	LSI1-140/50/33	155	2
1500	LSI1-150/30/33	139	LSI1-150/40/33	149	LSI1-150/50/33	159	2
1600	LSI1-160/30/33	160	LSI1-160/40/33	170	LSI1-160/50/33	180	3
1700	LSI1-170/30/33	164	LSI1-170/40/33	174	LSI1-170/50/33	184	3
1800	LSI1-180/30/33	168	LSI1-180/40/33	178	LSI1-180/50/33	188	3
1900	LSI1-190/30/33	172	LSI1-190/40/33	182	LSI1-190/50/33	192	3
2000	LSI1-200/30/33	176	LSI1-200/40/33	186	LSI1-200/50/33	196	3
2100	LSI1-210/30/33	180	LSI1-210/40/33	190	LSI1-210/50/33	200	3
2200	LSI1-220/30/33	184	LSI1-220/40/33	194	LSI1-220/50/33	204	3
2300	LSI1-230/30/33	188	LSI1-230/40/33	198	LSI1-230/50/33	208	3
2400	LSI1-240/30/33	192	LSI1-240/40/33	202	LSI1-240/50/33	212	3
2500	LSI1-250/30/33	217	LSI1-250/40/33	227	LSI1-250/50/33	237	4
2600	LSI1-260/30/33	221	LSI1-260/40/33	231	LSI1-260/50/33	241	4
2700	LSI1-270/30/33	225	LSI1-270/40/33	235	LSI1-270/50/33	245	4
2800	LSI1-280/30/33	229	LSI1-280/40/33	239	LSI1-280/50/33	249	4
2900	LSI1-290/30/33	233	LSI1-290/40/33	243	LSI1-290/50/33	253	4

OPTIONAL FEATURES

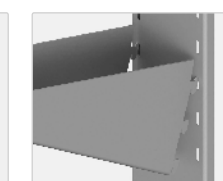
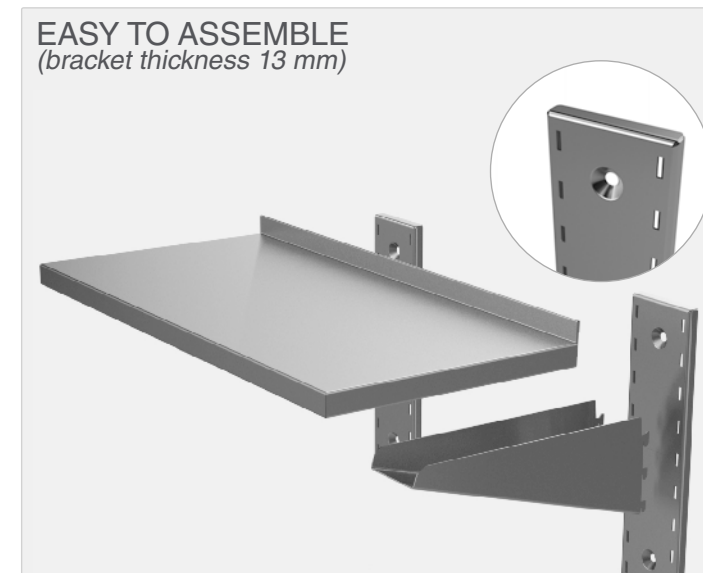


Wall brackets 30 mm thick (2 pcs.)

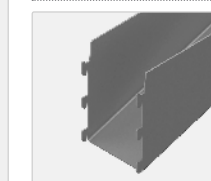
Code: LSI-00.03
Price: 35 €



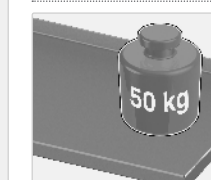
STANDARD FEATURES



Easy to change height of the shelf



Heavy duty double bracket



Max loading 50 kg/shelf (uniform layout)

Information icon Different dimensions and configurations are available on request. Examples on page 4.50.

Length L, mm	Width B, mm						Brackets
	300		400		500		
	Model	Price, €	Model	Price, €	Model	Price, €	
400	LSI2-40/30/66	146	LSI2-40/40/66	166	LSI2-40/50/66	186	2
500	LSI2-50/30/66	155	LSI2-50/40/66	173	LSI2-50/50/66	191	2
600	LSI2-60/30/66	164	LSI2-60/40/66	180	LSI2-60/50/66	196	2
700	LSI2-70/30/66	171	LSI2-70/40/66	187	LSI2-70/50/66	204	2
800	LSI2-80/30/66	177	LSI2-80/40/66	195	LSI2-80/50/66	212	2
900	LSI2-90/30/66	184	LSI2-90/40/66	202	LSI2-90/50/66	220	2
1000	LSI2-100/30/66	190	LSI2-100/40/66	208	LSI2-100/50/66	226	2
1100	LSI2-110/30/66	197	LSI2-110/40/66	215	LSI2-110/50/66	234	2
1200	LSI2-120/30/66	203	LSI2-120/40/66	222	LSI2-120/50/66	242	2
1300	LSI2-130/30/66	210	LSI2-130/40/66	230	LSI2-130/50/66	249	2
1400	LSI2-140/30/66	215	LSI2-140/40/66	236	LSI2-140/50/66	256	2
1500	LSI2-150/30/66	222	LSI2-150/40/66	244	LSI2-150/50/66	265	2
1600	LSI2-160/30/66	256	LSI2-160/40/66	279	LSI2-160/50/66	303	3
1700	LSI2-170/30/66	262	LSI2-170/40/66	285	LSI2-170/50/66	309	3
1800	LSI2-180/30/66	268	LSI2-180/40/66	292	LSI2-180/50/66	317	3
1900	LSI2-190/30/66	274	LSI2-190/40/66	299	LSI2-190/50/66	325	3
2000	LSI2-200/30/66	280	LSI2-200/40/66	307	LSI2-200/50/66	333	3
2100	LSI2-210/30/66	286	LSI2-210/40/66	313	LSI2-210/50/66	339	3
2200	LSI2-220/30/66	292	LSI2-220/40/66	320	LSI2-220/50/66	347	3
2300	LSI2-230/30/66	298	LSI2-230/40/66	326	LSI2-230/50/66	353	3
2400	LSI2-240/30/66	303	LSI2-240/40/66	334	LSI2-240/50/66	364	3
2500	LSI2-250/30/66	345	LSI2-250/40/66	374	LSI2-250/50/66	404	4
2600	LSI2-260/30/66	351	LSI2-260/40/66	381	LSI2-260/50/66	412	4
2700	LSI2-270/30/66	357	LSI2-270/40/66	390	LSI2-270/50/66	422	4
2800	LSI2-280/30/66	363	LSI2-280/40/66	397	LSI2-280/50/66	430	4
2900	LSI2-290/30/66	369	LSI2-290/40/66	405	LSI2-290/50/66	440	4

OPTIONAL FEATURES



Wall brackets 30 mm thick (2 pcs.)

Code: LSI-00.03
Price: 46 €

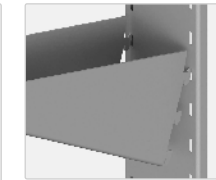
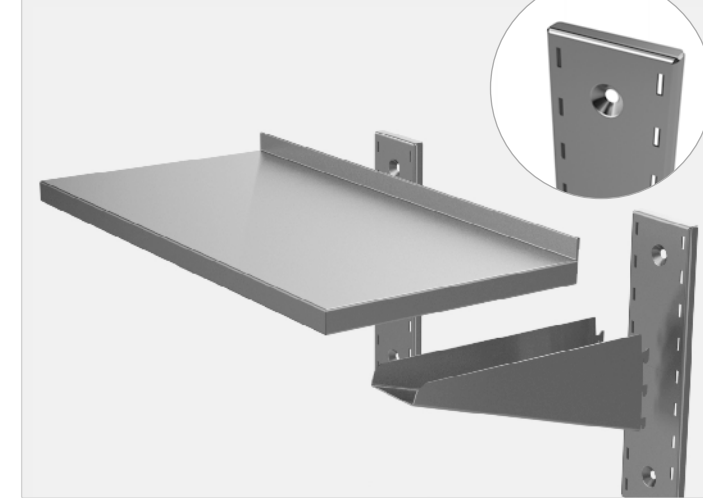


Information icon Different dimensions and configurations are available on request. Examples on page 4.50.

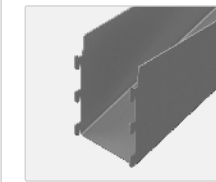
Length L, mm	Width B, mm						Brackets
	300		400		500		
	Model	Price, €	Model	Price, €	Model	Price, €	
400	LSI3-40/30/99	208	LSI3-40/40/99	227	LSI3-40/50/99	245	2
500	LSI3-50/30/99	217	LSI3-50/40/99	238	LSI3-50/50/99	259	2
600	LSI3-60/30/99	226	LSI3-60/40/99	249	LSI3-60/50/99	273	2
700	LSI3-70/30/99	234	LSI3-70/40/99	259	LSI3-70/50/99	283	2
800	LSI3-80/30/99	242	LSI3-80/40/99	269	LSI3-80/50/99	295	2
900	LSI3-90/30/99	251	LSI3-90/40/99	278	LSI3-90/50/99	306	2
1000	LSI3-100/30/99	259	LSI3-100/40/99	287	LSI3-100/50/99	316	2
1100	LSI3-110/30/99	267	LSI3-110/40/99	297	LSI3-110/50/99	326	2
1200	LSI3-120/30/99	275	LSI3-120/40/99	307	LSI3-120/50/99	339	2
1300	LSI3-130/30/99	283	LSI3-130/40/99	316	LSI3-130/50/99	349	2
1400	LSI3-140/30/99	292	LSI3-140/40/99	325	LSI3-140/50/99	359	2
1500	LSI3-150/30/99	300	LSI3-150/40/99	335	LSI3-150/50/99	371	2
1600	LSI3-160/30/99	352	LSI3-160/40/99	388	LSI3-160/50/99	425	3
1700	LSI3-170/30/99	360	LSI3-170/40/99	398	LSI3-170/50/99	435	3
1800	LSI3-180/30/99	368	LSI3-180/40/99	408	LSI3-180/50/99	448	3
1900	LSI3-190/30/99	376	LSI3-190/40/99	417	LSI3-190/50/99	458	3
2000	LSI3-200/30/99	384	LSI3-200/40/99	427	LSI3-200/50/99	470	3
2100	LSI3-210/30/99	392	LSI3-210/40/99	436	LSI3-210/50/99	480	3
2200	LSI3-220/30/99	400	LSI3-220/40/99	446	LSI3-220/50/99	492	3
2300	LSI3-230/30/99	408	LSI3-230/40/99	456	LSI3-230/50/99	503	3
2400	LSI3-240/30/99	417	LSI3-240/40/99	466	LSI3-240/50/99	515	3
2500	LSI3-250/30/99	471	LSI3-250/40/99	523	LSI3-250/50/99	574	4
2600	LSI3-260/30/99	480	LSI3-260/40/99	532	LSI3-260/50/99	584	4
2700	LSI3-270/30/99	488	LSI3-270/40/99	542	LSI3-270/50/99	596	4
2800	LSI3-280/30/99	497	LSI3-280/40/99	551	LSI3-280/50/99	605	4
2900	LSI3-290/30/99	505	LSI3-290/40/99	561	LSI3-290/50/99	618	4

STANDARD FEATURES

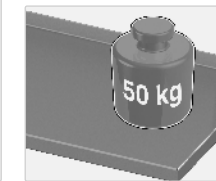
EASY TO ASSEMBLE
(bracket thickness 13 mm)



Easy to change height of the shelf



Heavy duty double bracket



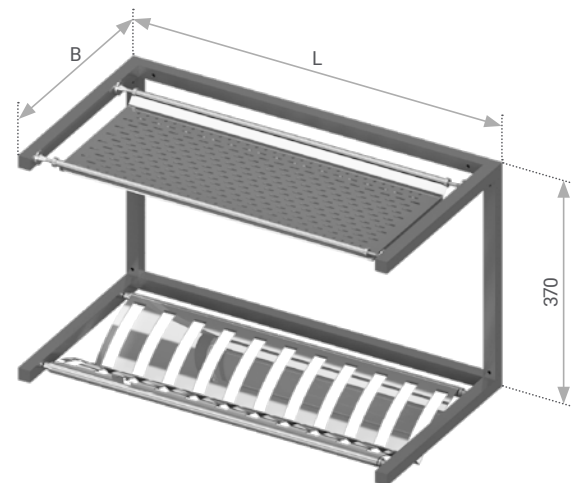
Max loading 50 kg/shelf (uniform layout)

OPTIONAL FEATURES



Wall brackets 30 mm thick (2 pcs.)

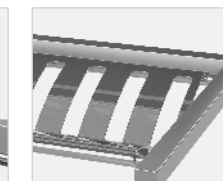
Code: LSI-00.03
Price: 57 €



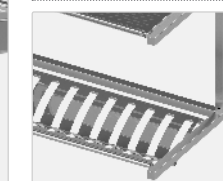
i Different dimensions and configurations are available on request. Examples on page 4.50.

Length L, mm	Width B, mm		Quantity of plates	Max diameter of plates, mm
	330			
	Model	Price, €		
610	LSD2-61/33/37	145	20	300
810	LSD2-81/33/37	150	28	300
1200	LSD2-120/33/37	226	40	300
1400	LSD2-140/33/37	231	48	300
1600	LSD2-160/33/37	236	56	300
1990	LSD2-199/33/37	308	68	300
2190	LSD2-219/33/37	313	76	300
2390	LSD2-239/33/37	321	84	300

STANDARD FEATURES

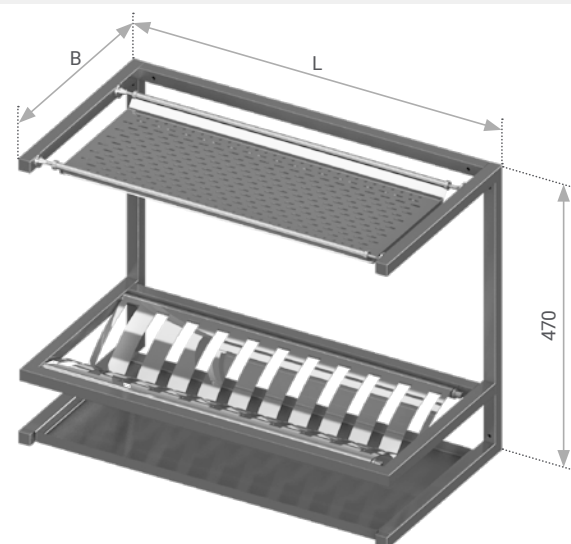


No sharp edges



Holders made of stainless steel tube 20 x 20 mm

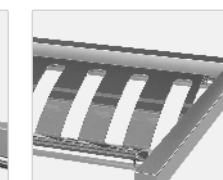
DISH DRYING WALL SHELF DOUBLE WITH DRIP TRAY



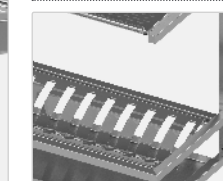
i Different dimensions and configurations are available on request. Examples on page 4.50.

Length L, mm	Width B, mm		Quantity of plates	Max diameter of plates, mm
	330			
	Model	Price, €		
610	LSD3-61/33/47	183	20	300
810	LSD3-81/33/47	193	28	300
1200	LSD3-120/33/47	276	40	300
1400	LSD3-140/33/47	284	48	300
1600	LSD3-160/33/47	293	56	300
1990	LSD3-199/33/47	372	68	300
2190	LSD3-219/33/47	380	76	300
2390	LSD3-239/33/47	392	84	300

STANDARD FEATURES



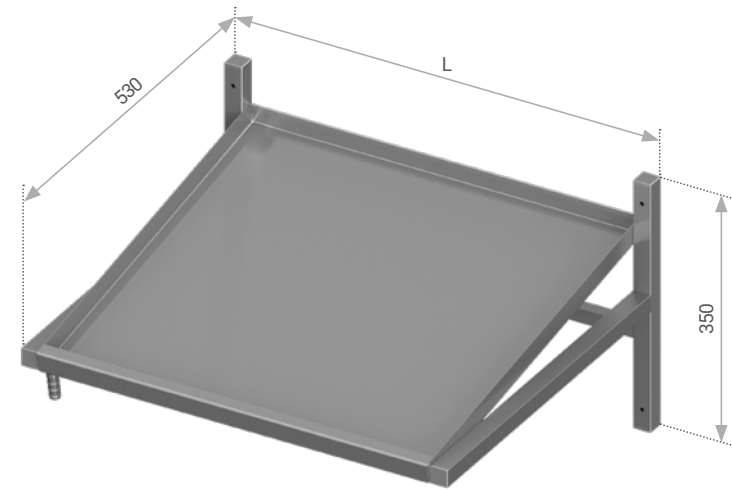
No sharp edges



Holders made of stainless steel tube 20 x 20 mm



Drip tray for lower shelf

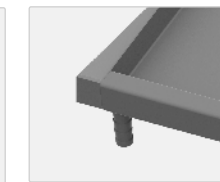
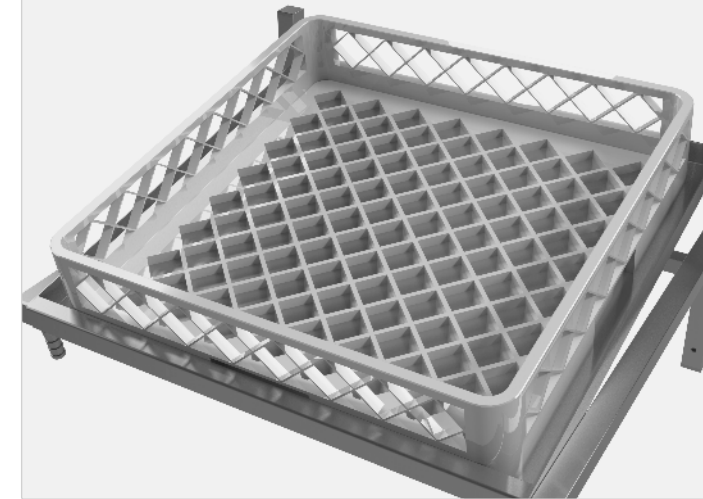


Information icon Different dimensions and configurations are available on request. Examples on page 4.50.

Length L, mm	Width B, mm		Quantity of baskets	Dimensions of basket, mm
	530			
	Model	Price, €		
600	LSB1-60/53/35	148	1	500 x 500
1100	LSB1-110/53/35	188	2	500 x 500
1600	LSB1-160/53/35	228	3	500 x 500
2100	LSB1-210/53/35	267	4	500 x 500

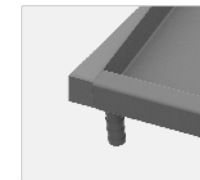
STANDARD FEATURES

DESIGNED FOR BASKETS
(500 x 500 mm)



Water outlet (Ø 16 mm)

OPTIONAL FEATURES

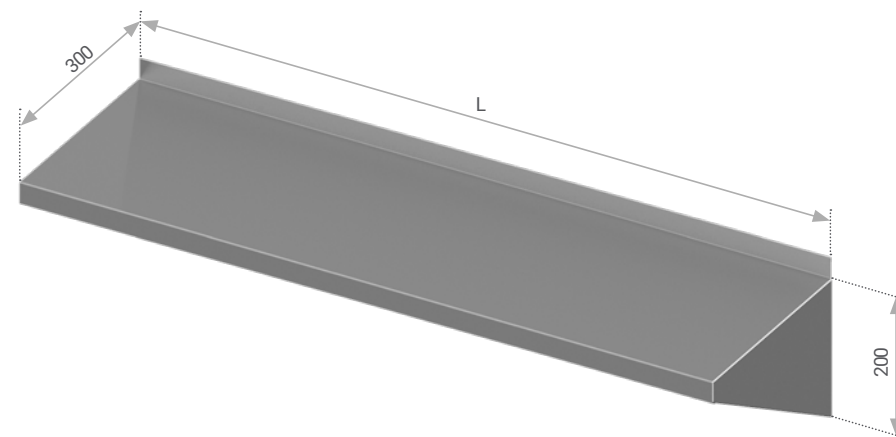


Water outlet on left or right side

Code: Y-SIV-K (left)
Y-SIV-D (right)
Price: Free of charge

FOLDED WALL SHELF SINGLE

NEW

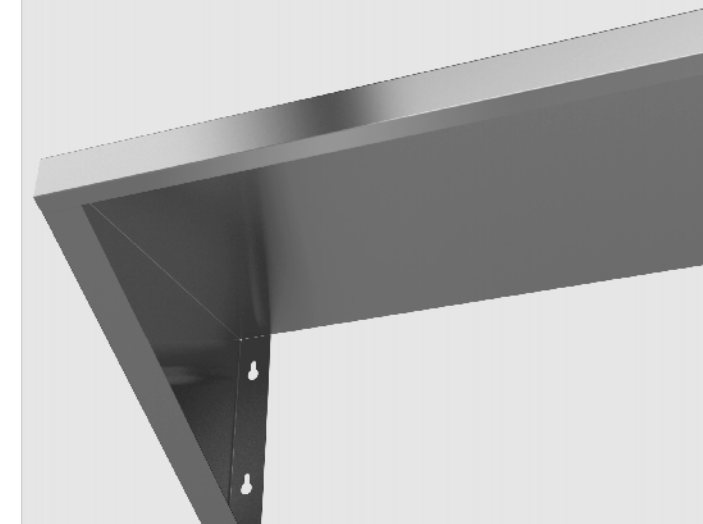


Information icon Different dimensions and configurations are available on request. Examples on page 4.50.

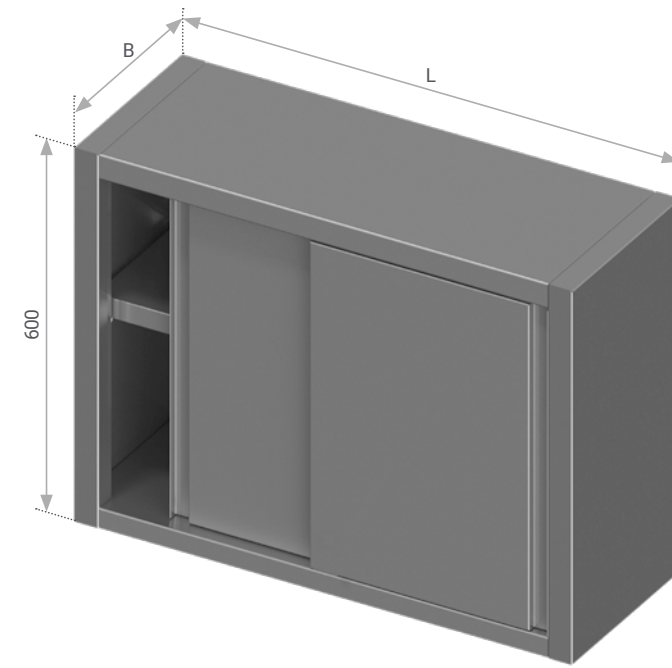
Length L, mm	Width B, mm		Fittings
	300		
	Model	Price, €	
600	LSV1-60/30/20	55	2
700	LSV1-70/30/20	61	2
800	LSV1-80/30/20	66	2
900	LSV1-90/30/20	71	2
1000	LSV1-100/30/20	76	2

STANDARD FEATURES

FOLDED SHELF CONSTRUCTION

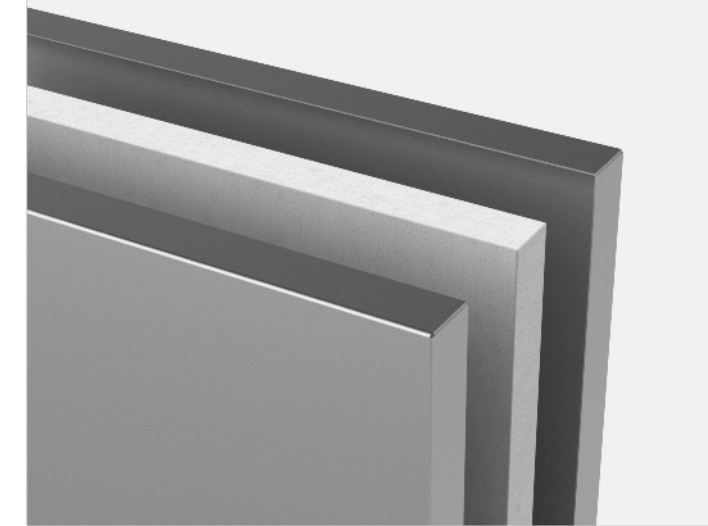


Max loading 30 kg/shelf (uniform layout)



STANDARD FEATURES

TRIPLE LAYER SOUNDPROOF DOORS



Easy to change height of the shelf



Wall fastener

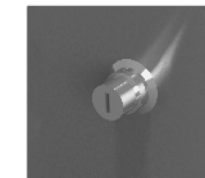


Flat bottom design
Easy to clean flat shelf

Information icon Different dimensions and configurations are available on request. Examples on page 4.50.

Length L, mm	Width B, mm				Doors
	300		400		
	Model	Price, €	Model	Price, €	
800	CKS2-80/30/60	393	CKS2-80/40/60	411	2
900	CKS2-90/30/60	412	CKS2-90/40/60	432	2
1000	CKS2-100/30/60	430	CKS2-100/40/60	451	2
1100	CKS2-110/30/60	448	CKS2-110/40/60	472	2
1200	CKS2-120/30/60	466	CKS2-120/40/60	492	2
1300	CKS2-130/30/60	513	CKS2-130/40/60	543	2
1400	CKS2-140/30/60	531	CKS2-140/40/60	563	2
1500	CKS2-150/30/60	549	CKS2-150/40/60	583	2
1600	CKS2-160/30/60	568	CKS2-160/40/60	604	2
1700	CKS2-170/30/60	585	CKS2-170/40/60	623	2
1800	CKS2-180/30/60	604	CKS2-180/40/60	644	2
1900	CKS2-190/30/60	621	CKS2-190/40/60	663	2
2000	CKS2-200/30/60	640	CKS2-200/40/60	684	2

OPTIONAL FEATURES



Lock

Code:
Price/pc:

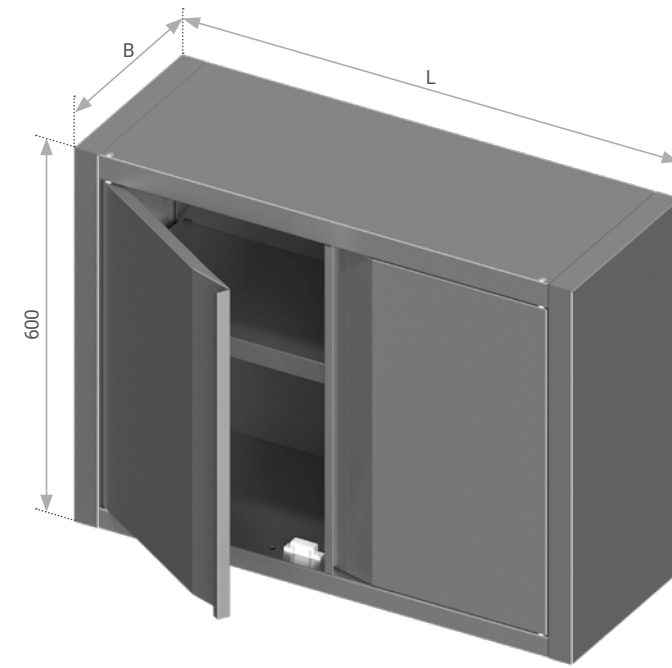
A-CK-FUDS
42 €



Additional shelf

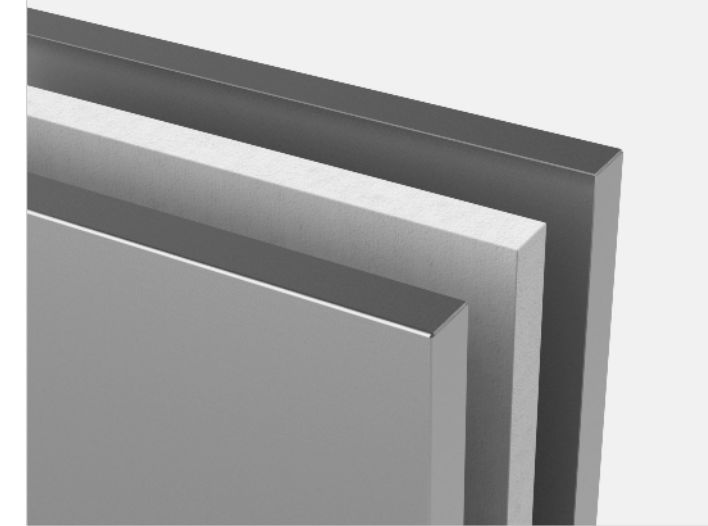
Code:
Price:

A-C-LP
+10%



STANDARD FEATURES

TRIPLE LAYER SOUNDPROOF DOORS



Easy to change height of the shelf



Wall fastener

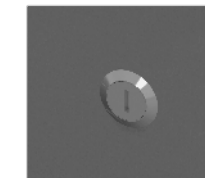


Flat bottom design
Easy to clean flat shelf

Information icon Different dimensions and configurations are available on request. Examples on page 4.50.

Length L, mm	Width B, mm				Doors
	300		400		
	Model	Price, €	Model	Price, €	
600	CKV2-60/30/60	357	CKV2-60/40/60	371	1
700	CKV2-70/30/60	376	CKV2-70/40/60	391	1
800	CKV2-80/30/60	393	CKV2-80/40/60	411	2
900	CKV2-90/30/60	412	CKV2-90/40/60	432	2
1000	CKV2-100/30/60	430	CKV2-100/40/60	452	2
1100	CKV2-110/30/60	448	CKV2-110/40/60	473	2
1200	CKV2-120/30/60	466	CKV2-120/40/60	492	2
1300	CKV2-130/30/60	513	CKV2-130/40/60	543	2
1400	CKV2-140/30/60	531	CKV2-140/40/60	563	3
1500	CKV2-150/30/60	549	CKV2-150/40/60	583	3
1600	CKV2-160/30/60	568	CKV2-160/40/60	604	3
1700	CKV2-170/30/60	585	CKV2-170/40/60	623	3
1800	CKV2-180/30/60	604	CKV2-180/40/60	644	3
1900	CKV2-190/30/60	621	CKV2-190/40/60	663	3
2000	CKV2-200/30/60	655	CKV2-200/40/60	696	4

OPTIONAL FEATURES



Lock

Code: A-C-FUDV
Price/pc: 42 €



Additional shelf

Code: A-C-LP
Price: +10%

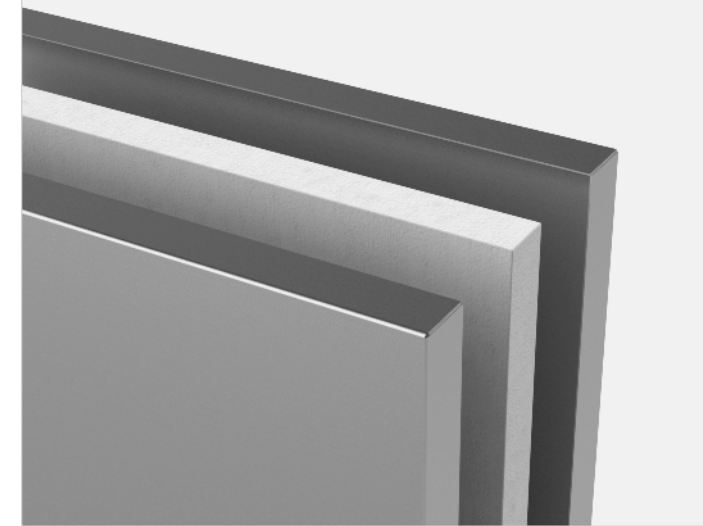


Information icon Different dimensions and configurations are available on request. Examples on page 4.50.

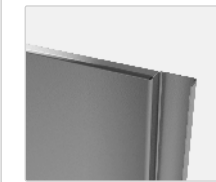
Length L, mm	Width B, mm				Doors	Shelves
	600		700			
	Model	Price, €	Model	Price, €		
800	CPS4-80/60/200	1061	CPS4-80/70/200	1105	2	4
900	CPS4-90/60/200	1127	CPS4-90/70/200	1172	2	4
1000	CPS4-100/60/200	1168	CPS4-100/70/200	1215	2	4
1100	CPS4-110/60/200	1208	CPS4-110/70/200	1259	2	4
1200	CPS4-120/60/200	1249	CPS4-120/70/200	1302	2	4
1300	CPS4-130/60/200	1291	CPS4-130/70/200	1345	2	4
1400	CPS4-140/60/200	1332	CPS4-140/70/200	1388	2	4
1500	CPS4-150/60/200	1352	CPS4-150/70/200	1432	2	4
1600	CPS4-160/60/200	1399	CPS4-160/70/200	1480	2	4
1700	CPS4-170/60/200	1445	CPS4-170/70/200	1529	2	4

STANDARD FEATURES

TRIPLE LAYER SOUNDPROOF DOORS



Easy to change height of the shelf

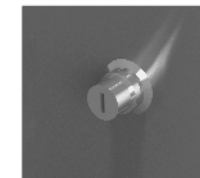


Integrated hygienic door handles



Adjustable stainless steel feet
(amplitude 65 mm +50/-15)

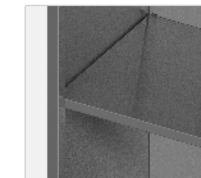
OPTIONAL FEATURES



Lock

Code:
Price/pc:

A-CP-FUDS
42 €



Additional shelf

Code: A-C-LP
Price: +6%

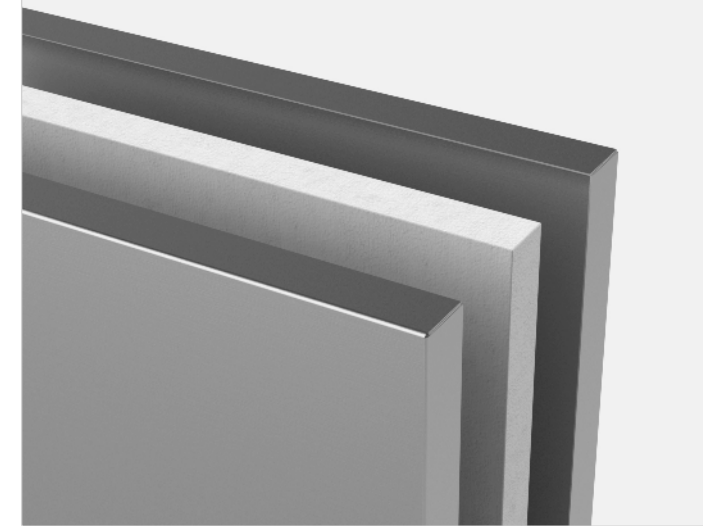


Information icon Different dimensions and configurations are available on request. Examples on page 4.50.

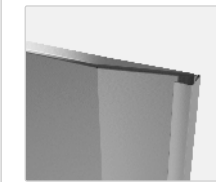
Length L, mm	Width B, mm				Doors	Shelves
	600		700			
	Model	Price, €	Model	Price, €		
500	CPV4-50/60/200	829	CPV4-50/70/200	866	1	4
600	CPV4-60/60/200	874	CPV4-60/70/200	908	1	4
700	CPV4-70/60/200	911	CPV4-70/70/200	952	1	4
800	CPV4-80/60/200	1030	CPV4-80/70/200	1074	2	4
900	CPV4-90/60/200	1096	CPV4-90/70/200	1141	2	4
1000	CPV4-100/60/200	1137	CPV4-100/70/200	1185	2	4
1100	CPV4-110/60/200	1177	CPV4-110/70/200	1228	2	4
1200	CPV4-120/60/200	1218	CPV4-120/70/200	1271	2	4

STANDARD FEATURES

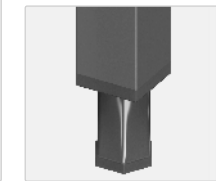
TRIPLE LAYER SOUNDPROOF DOORS



Easy to change height of the shelf

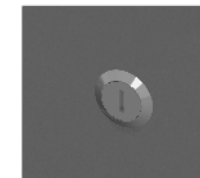


Integrated hygienic door handles



Adjustable stainless steel feet (amplitude 65 mm +50/-15)

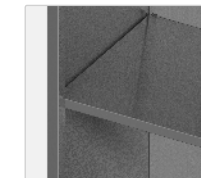
OPTIONAL FEATURES



Lock

Code:
Price/pc:

A-CP-FUDA
82 €



Additional shelf

Code: A-C-LP
Price: +6%

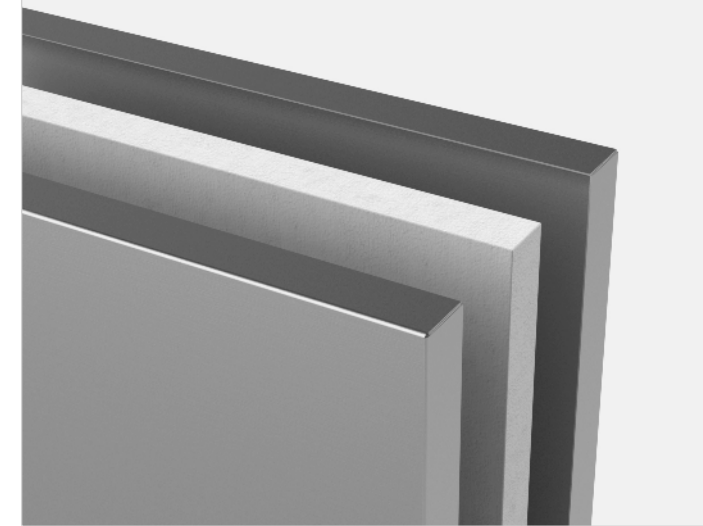


Information icon Different dimensions and configurations are available on request. Examples on page 4.50.

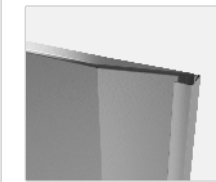
Length L, mm	Width B, mm				Doors
	400		500		
	Model	Price, €	Model	Price, €	
800	CCV4-80/40/200	850	CCV4-80/50/200	891	2
1000	CCV4-100/40/200	903	CCV4-100/50/200	951	2

STANDARD FEATURES

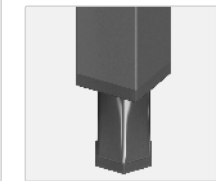
TRIPLE LAYER SOUNDPROOF DOORS



Easy to change height of the shelf

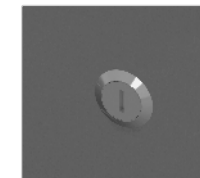


Integrated hygienic door handles



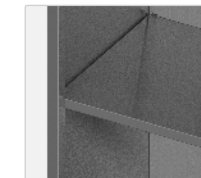
Adjustable stainless steel feet (amplitude 65 mm +50/-15)

OPTIONAL FEATURES



Lock

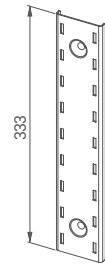
Code: A-CP-FUDA
Price/pc: 82 €



Additional shelf

Code: A-C-LP
Price: +3%

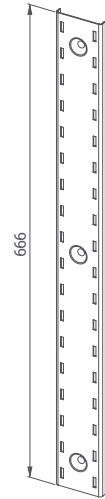
🔗 SPARE PARTS FOR LSL MODELS



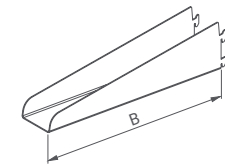
Wall bracket 10 mm thick (for LSL1)
 Code: LSL-00.01
 Price/pc: 20 €



Wall bracket 10 mm thick (for LSL3)
 Code: LSL-00.01
 Price/pc: 27 €



Wall bracket 10 mm thick (for LSL2)
 Code: LSL-00.01
 Price/pc: 23 €



Under shelf bracket
 Code: LSL-00.02
 Price/pc: 18 €

i NOVAMETA STANDARD TERMS

Applicability

These Standard Terms ("Terms") apply to all products supplied directly by Novameta to its distributors.

Validity of quotations

Quotations are valid for 90 days unless otherwise explicitly stated in the individual quotation. Not responsible for misprints.

Delivery terms

Provided in the proforma invoice.

In case of ex-works (INCOTERMS 2010) Novameta shall not be liable for delays and the distributor shall not be permitted to terminate the purchase due to delays unless agreed to in writing.

Payment terms

Provided in the proforma invoice.

If a higher credit limit is necessary, security is mandatory. Novameta may reduce a credit limit at any time if considered appropriate by Novameta.

Storage terms

Provided in the proforma invoice.

Retention of Title

Novameta shall retain title in all products and components sold to the distributor until the distributor has paid for the products in full (including transportation and packaging costs).

Warranty terms

Novameta provides a Manufacturer's warranty for all of the equipment against defects in materials and workmanship for a period of 1 year from the date of invoicing of the defective product or component to the distributor. Manufacturer undertakes to replace all inferior parts to proper quality parts or materials. In case of a fault, a properly filled claim is required and must contain all essential information relative to the fault. Faulty parts shall be returned to Manufacturer for further inspection.

Extended warranty

The extended warranty is solely applicable to certain equipment (indicated in the price list). The extended warranty costs extra of the item's list price. Standard warranty terms apply.

Warranty exclusions and limitations of liability

The warranty in these Terms shall be the distributor's exclusive remedy for defective products and components towards Novameta. Novameta shall not be liable for any costs, expenses, losses or claims (whether direct, indirect, consequential or otherwise) relating to defective products or components unless otherwise explicitly stated herein or agreed in writing. Any expenses in connection with the installation or costs of making adjustments (including service procedures, travel time costs) on the equipment to comply with the supply at the point of installation are not covered by this warranty.

The producer does not take any responsibility for damages that occur due to ignorance of cautions, improper maintenance or mechanical damages of the unit, including those, caused during the delivery. This warranty is not effective if damage occurs from improper installation, misuse; incorrect voltage supply, wear and tear from normal usage, accidental breakage, damage or if the equipment is operated contrary to the user instructions. The warranty does not cover if the damage occurs due to natural disasters; fire, if repair service was made by unauthorized person.

In case of a failure not covered by the warranty, we provide a possibility to purchase spare parts.

i NOVAMETA STANDARD TERMS

Procedure for repair or replacement under the warranty

The distributor shall, at its own costs, make all reasonable attempts to repair any defective component or product.

If such repair is not possible for the distributor, the distributor shall contact Novameta in writing immediately (within 3 working days) upon suspicion of any defects that may be covered by the warranty. If Novameta is not contacted immediately (within 3 working days) in such cases, the distributor shall have no remedies.

Distributor's contact shall include specific information as to the suspected defect the relevant order number and a copy of the relevant invoice.

After timely receipt of the above, Novameta will decide if there is a defect, whether the claim is covered by the warranty, and whether the product or component is to be replaced.

In cases where Novameta decides to replace defective products or components with new ones, the distributor will be billed the full amount for the goods when they are sent. This amount will then be credited when the defective product or components is returned to Novameta and it is established that the defective product or component is covered by the warranty.

With regard to the transport of products and components, Novameta will pay the freight of new or repaired products and components, while the distributor will pay the freight for defective goods that are returned (and any other costs related to the return of the goods). The warranty does not cover expenses of the service procedures performed. Novameta does not provide service.

Unless otherwise agreed in writing, the defective product or component should always be returned to Novameta: Draugystės g. 15D, LT-51227 Kaunas, Lithuania.

Cancellations

If an order cancellation request is made after confirmation of drawing and proforma invoice, adjustments are not possible and production cannot be stopped. In case of cancellation product will be charged in full.

Shipping and packing

Novameta will pack products for shipment in Novameta standard packaging. If the distributor has other requirements as to packing, the distributor shall contact Novameta to make special arrangements.

Delivery recommendations

Upon receipt, inspect units immediately for any shipping damage and notify carrier immediately if damage is found. It must be reported immediately (upon delivery) in writing in the CMR. Otherwise neither the Manufacturer nor the carrier can take responsibility for transport damage. All items are thoroughly inspected and carefully packed before leaving our factory, thus Novameta cannot accept responsibility for any shipping damage, however Novameta will assist in filing a claim.

Liability and Product liability

Novameta shall only be liable for defects and product liability to the extent set out herein (see particularly warranty terms). In addition to the aforesaid all liability is capped at the invoiced price of the defective product. All other liability is hereby excluded.

Choice of law and Venue

These Terms and the cooperation between Novameta and its distributors, including any disputes relating thereto, shall be governed by Lithuanian law.

Any disputes shall be settled before the Lithuanian courts, which shall have exclusive jurisdiction.

Company No. 235886490, VAT Reg. No. LT 358864917

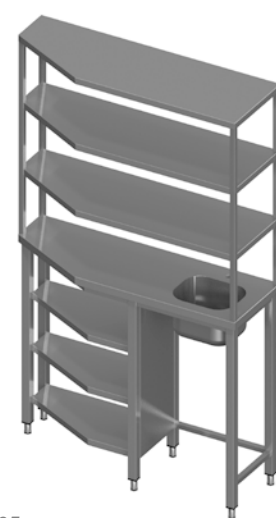
Reg. No. 048959, Centre of Registers

IBAN: LT227300010071982293, Swedbank, AB

REFERENCES

COMPANY CANTEENS

- Booking.com Headquarters*
Amsterdam, Netherlands
- Novo Nordisk Pharmaceutical Company*
Bagsvaerd, Denmark
- Google Office*
Copenhagen, Denmark
- Michael Kors Distribution Centre*
Venlo, Netherlands
- Samsung Electronics Benelux Office*
Amsterdam, Netherlands
- Nordea Bank Headquarters*
Oslo, Norway
- ING Bank Office*
Amsterdam, Netherlands
- Rabobank Bank*
Eindhoven, Netherlands
- KLM Catering Services Office*
Amsterdam, Netherlands



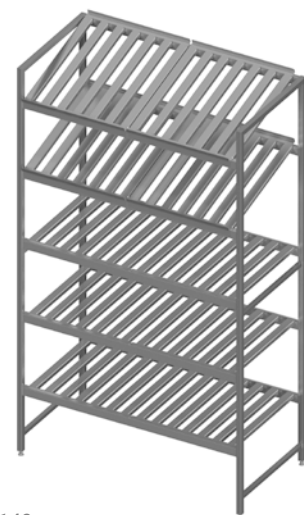
ZD16-1185



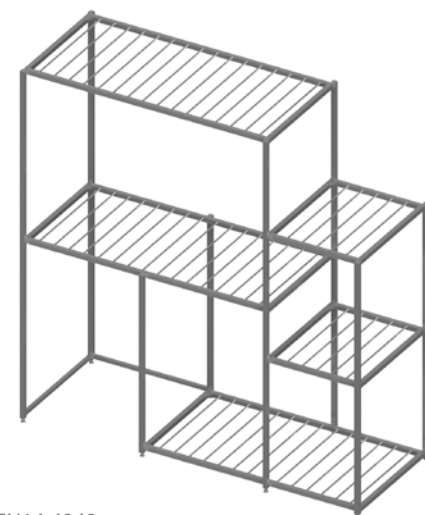
ZU14-4014

EDUCATIONAL INSTITUTIONS

- University of Wolverhampton*
Wolverhampton, United Kingdom
- Copenhagen International School*
Copenhagen, Denmark
- Farmen Barnehage Kindergarten*
Levanger, Norway



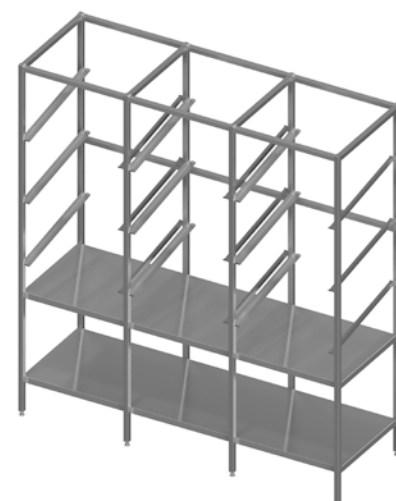
ZA16-4140



ZN14-4042

HOTELS

- Ramada Resort Hadera Beach Hotel*
Hadera, Israel
- Hilton Slussen Hotel*
Stockholm, Sweden
- Kempinski Hotel Cathedral Square*
Vilnius, Lithuania
- Thon Hotel Chain*
Norway
- Tallink City Hotel*
Tallinn, Estonia



ZF15-4004



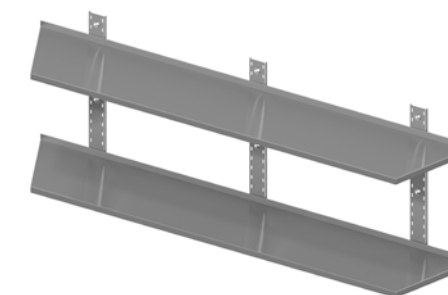
ZD16-4029

LEISURE AND LARGE VENUES

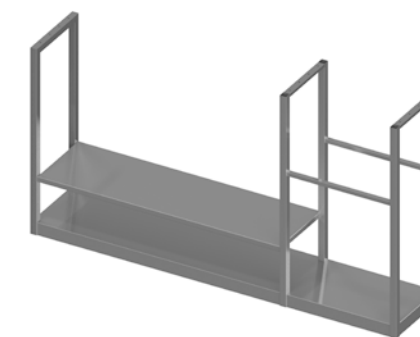
- Royal Theatre Carre*
Amsterdam, Netherlands
- LEGOLAND Amusement Park*
Billund, Denmark
- The Well Spa Centre*
Oslo, Norway



ZA16-4020



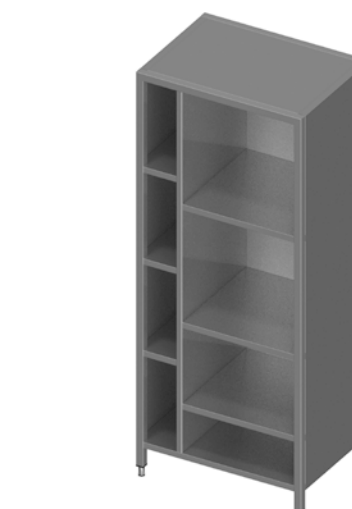
ZE17-4020



ZQ14-4016



ZW15-4006



ZE17-4003



ZD17-1018

REFERENCES

RESTAURANTS AND BARS

- TGI Fridays Bar & Restaurant*
Sweden
- Chateau Motel Nightclub*
Copenhagen, Denmark
- Happy Italy Restaurants*
Netherlands
- Milu Bar & Restaurant*
The Hague, Netherlands
- Easy Wine Bar*
Riga, Latvia
- Flammen Restaurants*
Denmark
- Bierhuis Restaurant*
Uppsala, Sweden
- Hotcha Restaurant*
Liverpool, United Kingdom

GOVERNMENT & PUBLIC SERVICES

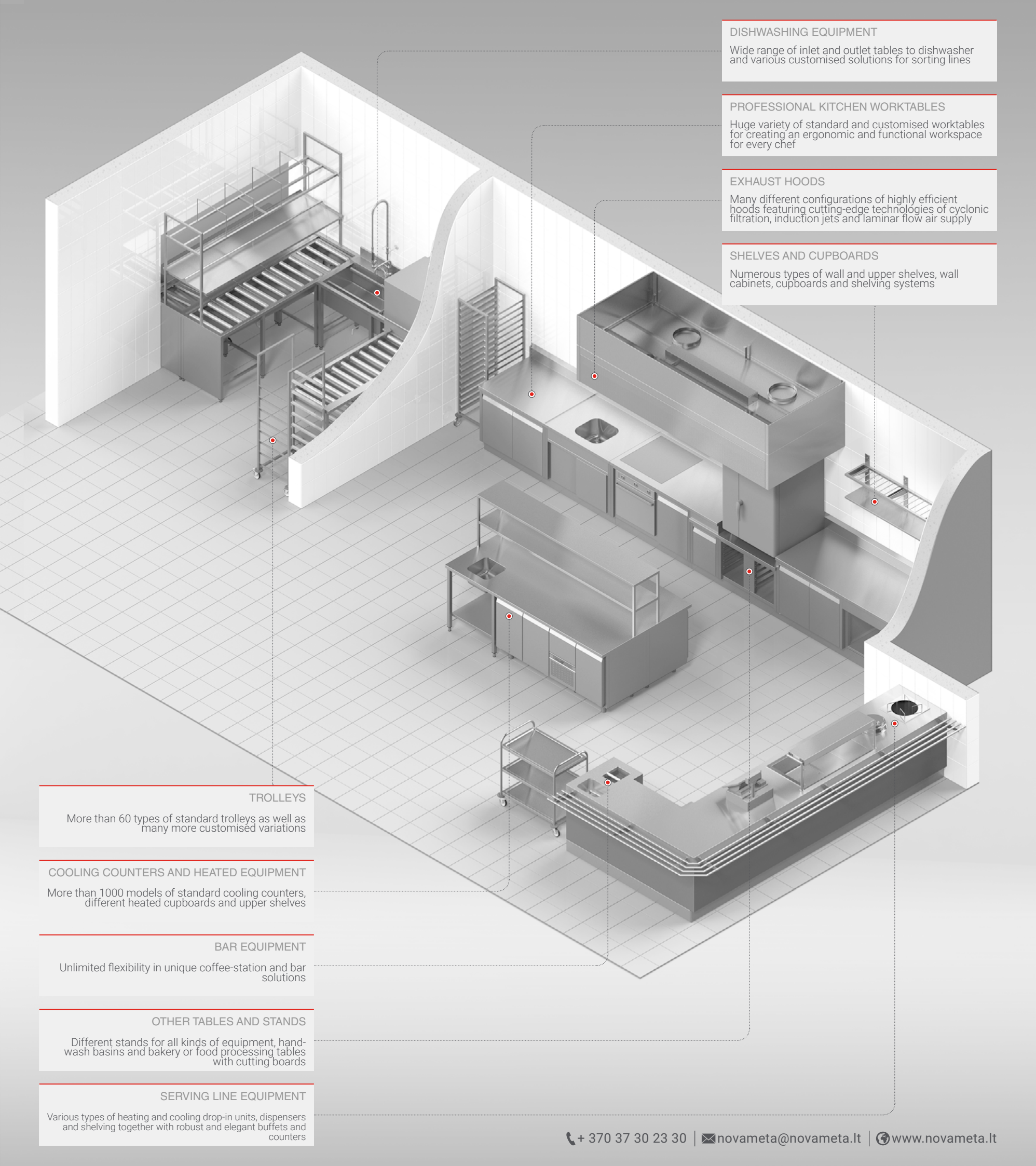
- Ministry of Economic Affairs*
The Hague, Netherlands
- Embassy of Hungary*
Stockholm, Sweden
- Statsfængslet Nordfalster Prison*
Nordfalster, Denmark

HEALTHCARE

- Mare Klinikum Medical Diagnostic Centre*
Kiel, Germany
- Wexham Park Hospital*
Slough, United Kingdom
- Zaans Medical Centre*
Zaandam, Netherlands
- Rikshospitalet Hospital*
Oslo, Norway
- Syrenparken Psychiatric Hospital*
Børkop, Denmark

SHOPS AND SUPERMARKETS

- ICA Supermarkets*
Sweden
- IKEA Stores*
Netherlands, Lithuania
- Coop Supermarkets*
Norway
- Hema Supermarkets*
Netherlands



DISHWASHING EQUIPMENT

Wide range of inlet and outlet tables to dishwasher and various customised solutions for sorting lines

PROFESSIONAL KITCHEN WORKTABLES

Huge variety of standard and customised worktables for creating an ergonomic and functional workspace for every chef

EXHAUST HOODS

Many different configurations of highly efficient hoods featuring cutting-edge technologies of cyclonic filtration, induction jets and laminar flow air supply

SHELVES AND CUPBOARDS

Numerous types of wall and upper shelves, wall cabinets, cupboards and shelving systems

TROLLEYS

More than 60 types of standard trolleys as well as many more customised variations

COOLING COUNTERS AND HEATED EQUIPMENT

More than 1000 models of standard cooling counters, different heated cupboards and upper shelves

BAR EQUIPMENT

Unlimited flexibility in unique coffee-station and bar solutions

OTHER TABLES AND STANDS

Different stands for all kinds of equipment, hand-wash basins and bakery or food processing tables with cutting boards

SERVING LINE EQUIPMENT

Various types of heating and cooling drop-in units, dispensers and shelving together with robust and elegant buffets and counters