



## PRICE LIST 2017

1. PROFESSIONAL KITCHEN WORKTABLES
2. OTHER TABLES AND STANDS
- 3. DISHWASHING EQUIPMENT**
4. SHELVES AND CUPBOARDS
5. TROLLEYS
6. EXHAUST HOODS
7. BAR EQUIPMENT
8. SERVING LINE EQUIPMENT
9. COOLING COUNTERS AND HEATED EQUIPMENT
10. MODULAR TABLES

## YOUR RELIABLE PARTNER

**Novameta** is the largest and most advanced manufacturer of stainless steel commercial kitchen equipment in Baltic and Scandinavian countries. Extensive 16-year experience, attention to details along with an innovative mindset are the key factors which have enabled **Novameta** to establish trust in 18 markets throughout Europe.

A wide range of hot, cold and neutral standard equipment, precisely engineered and crafted non-standard products combined with a short, typically 2-4 week lead time is what makes us stand out of the crowd. What is more, our experienced team is all set to provide professional support and technical advice, enabling our clients to turn their ideas to tailor made turnkey solutions.

All of our products are marketed through a professional network of distributors throughout Europe. We are proud to provide an all-round assistance to our dealers, helping them to excel in the things they do best - planning, taking care of supply, installation and service to fulfil the needs of catering, bakery and retail industries.

Our main objectives are to maintain solid positions in Europe through sustaining partnership relationships with our clients, whilst at the same time expanding into new markets worldwide. Experienced and ambitious sales team, application of up-to-date 3D CAD software in our in-house design department, employment of latest production technologies and LEAN quality management based on ISO 9001:2000 standard, have determined the rapid expansion of our sales markets and therefore the consequent quick growth of the company.

Currently, over 165 employees work in the enterprise and the production area covers 5000 m<sup>2</sup>. **Novameta** manufactures over 180 different items every day, more than 1000 projects yearly!



### Novameta

📍 Draugystės g. 15D, LT-51227 Kaunas, Lithuania  
 ☎ +370 37 30 23 30  
 ✉ novameta@novameta.lt  
 🌐 www.novameta.lt

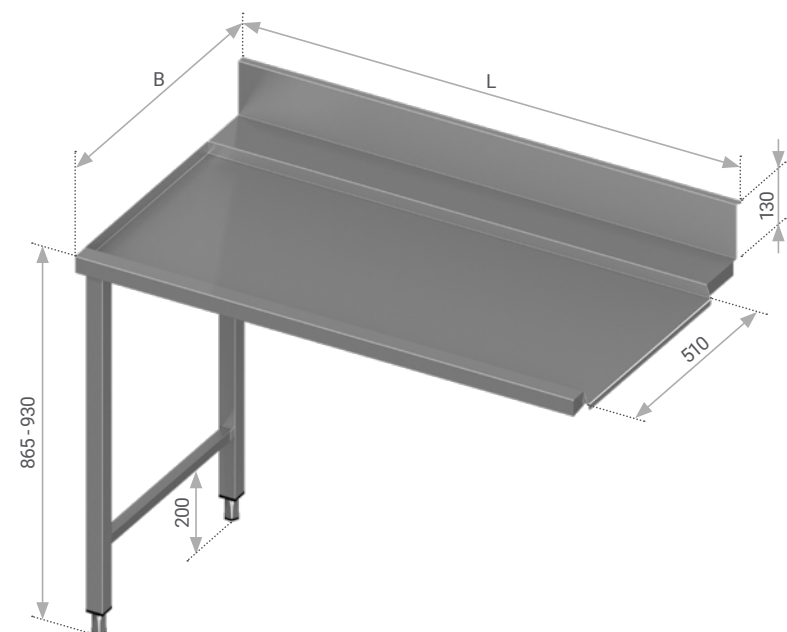
### Novameta UK

📍 1210 Parkview, Arlington Business Park, Theale, Reading, Berkshire RG7 4TY, UK  
 ☎ +44 118 965 4098  
 📞 +44 791 874 0027  
 ✉ sales@novameta.co.uk  
 🌐 www.novameta.co.uk

© 2017 Novameta. All rights reserved.

Novameta respects the intellectual property rights of others and expects its clients and the users of its services to do the same. All information in this publication is property of Novameta and you do not have right to disclose it to any third party without permission. Technical specifications and prices are subject to change.

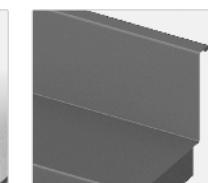
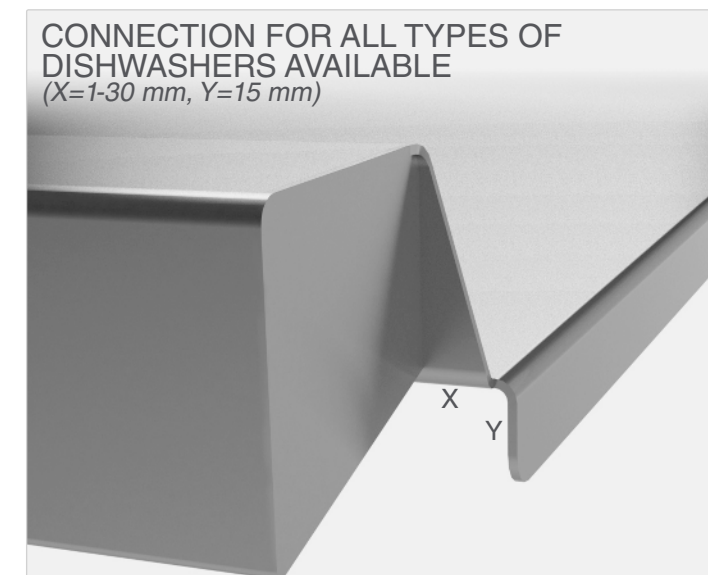
## CONTENTS



**i** More accessories on page 3.42. Different dimensions and configurations are available on request. Examples on page 3.46.

Length L, mm	Width B, mm					
	600		700		800	
	Model	Price, €	Model	Price, €	Model	Price, €
600	PX0-VR0-60/60/90	212	PX0-VR0-60/70/90	219	PX0-VR0-60/80/90	227
700	PX0-VR0-70/60/90	222	PX0-VR0-70/70/90	230	PX0-VR0-70/80/90	238
800	PX0-VR0-80/60/90	231	PX0-VR0-80/70/90	239	PX0-VR0-80/80/90	248
900	PX0-VR0-90/60/90	240	PX0-VR0-90/70/90	250	PX0-VR0-90/80/90	259
1000	PX0-VR0-100/60/90	252	PX0-VR0-100/70/90	263	PX0-VR0-100/80/90	273
1100	PX0-VR0-110/60/90	263	PX0-VR0-110/70/90	273	PX0-VR0-110/80/90	284
1200	PX0-VR0-120/60/90	272	PX0-VR0-120/70/90	284	PX0-VR0-120/80/90	295
1300	PX0-VR0-130/60/90	282	PX0-VR0-130/70/90	294	PX0-VR0-130/80/90	306
1400	PX0-VR0-140/60/90	293	PX0-VR0-140/70/90	306	PX0-VR0-140/80/90	318
1500	PX0-VR0-150/60/90	302	PX0-VR0-150/70/90	316	PX0-VR0-150/80/90	330
1600	PX0-VR0-160/60/90	313	PX0-VR0-160/70/90	327	PX0-VR0-160/80/90	340
1700	PX0-VR0-170/60/90	323	PX0-VR0-170/70/90	337	PX0-VR0-170/80/90	351
1800	PX0-VR0-180/60/90	334	PX0-VR0-180/70/90	348	PX0-VR0-180/80/90	361
1900	PX0-VR0-190/60/90	344	PX0-VR0-190/70/90	358	PX0-VR0-190/80/90	372
2000	PX0-VR0-200/60/90	355	PX0-VR0-200/70/90	369	PX0-VR0-200/80/90	382

**STANDARD FEATURES**

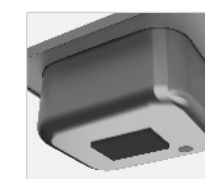


With or without upstand (all options on page 3.42)



Adjustable stainless steel feet (amplitude 65 mm +30/-35)

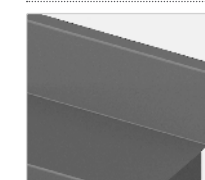
**OPTIONAL FEATURES**



**Sinks with noise dampening pads**  
All options on page 3.42 and 3.43

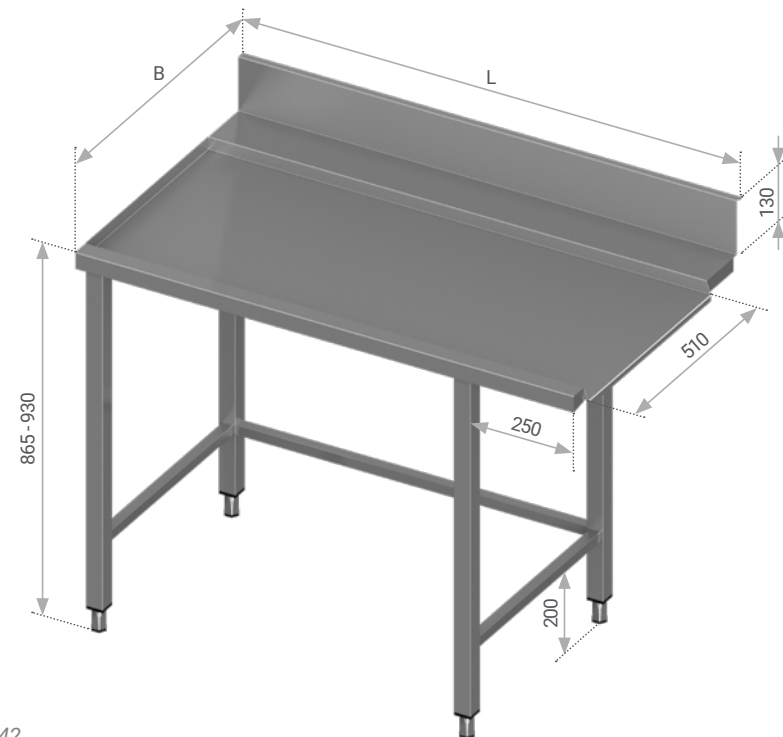


**Plumbing sets**  
All options on page 3.43



**Customised upstand (height: 40 - 120 mm)**  
Code: A-PXB-A  
Price: 35 €

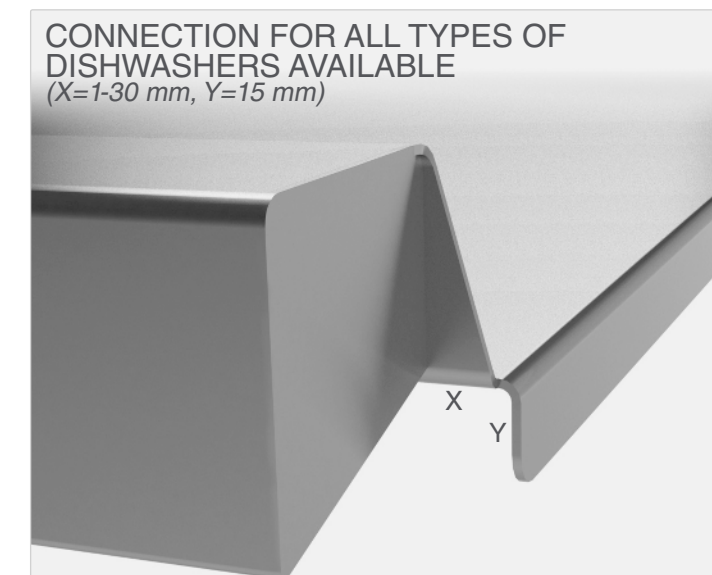




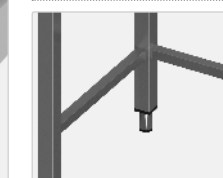
**i** More accessories on page 3.42.  
Different dimensions and configurations are available on request. Examples on page 3.46.

Length L, mm	Width B, mm					
	600		700		800	
	Model	Price, €	Model	Price, €	Model	Price, €
600	PX0-PR0-60/60/90	238	PX0-PR0-60/70/90	246	PX0-PR0-60/80/90	253
700	PX0-PR0-70/60/90	248	PX0-PR0-70/70/90	256	PX0-PR0-70/80/90	265
800	PX0-PR0-80/60/90	257	PX0-PR0-80/70/90	266	PX0-PR0-80/80/90	274
900	PX0-PR0-90/60/90	267	PX0-PR0-90/70/90	276	PX0-PR0-90/80/90	286
1000	PX0-PR0-100/60/90	278	PX0-PR0-100/70/90	289	PX0-PR0-100/80/90	299
1100	PX0-PR0-110/60/90	289	PX0-PR0-110/70/90	299	PX0-PR0-110/80/90	310
1200	PX0-PR0-120/60/90	298	PX0-PR0-120/70/90	310	PX0-PR0-120/80/90	321
1300	PX0-PR0-130/60/90	309	PX0-PR0-130/70/90	320	PX0-PR0-130/80/90	332
1400	PX0-PR0-140/60/90	319	PX0-PR0-140/70/90	332	PX0-PR0-140/80/90	344
1500	PX0-PR0-150/60/90	329	PX0-PR0-150/70/90	342	PX0-PR0-150/80/90	356
1600	PX0-PR0-160/60/90	339	PX0-PR0-160/70/90	353	PX0-PR0-160/80/90	366
1700	PX0-PR0-170/60/90	351	PX0-PR0-170/70/90	364	PX0-PR0-170/80/90	378
1800	PX0-PR0-180/60/90	360	PX0-PR0-180/70/90	375	PX0-PR0-180/80/90	390
1900	PX0-PR0-190/60/90	370	PX0-PR0-190/70/90	385	PX0-PR0-190/80/90	401
2000	PX0-PR0-200/60/90	381	PX0-PR0-200/70/90	397	PX0-PR0-200/80/90	413
2100	PX0-PR0-210/60/90	390	PX0-PR0-210/70/90	407	PX0-PR0-210/80/90	425
2200	PX0-PR0-220/60/90	400	PX0-PR0-220/70/90	418	PX0-PR0-220/80/90	436
2300	PX0-PR0-230/60/90	410	PX0-PR0-230/70/90	428	PX0-PR0-230/80/90	447
2400	PX0-PR0-240/60/90	420	PX0-PR0-240/70/90	440	PX0-PR0-240/80/90	460
2500	PX0-PR0-250/60/90	432	PX0-PR0-250/70/90	452	PX0-PR0-250/80/90	471

**STANDARD FEATURES**



With or without upstand (all options on page 3.42)

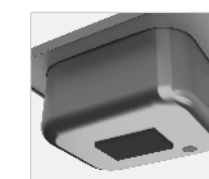


Welded frame  
Legs made of stainless steel tube 40 x 40 mm  
Frame made of stainless steel tube 25 x 25 mm



Adjustable stainless steel feet  
(amplitude 65 mm +30/-35)

**OPTIONAL FEATURES**



**Sinks with noise dampening pads**  
All options on page 3.42 and 3.43



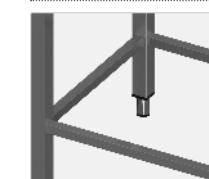
**Plumbing sets**  
All options on page 3.43



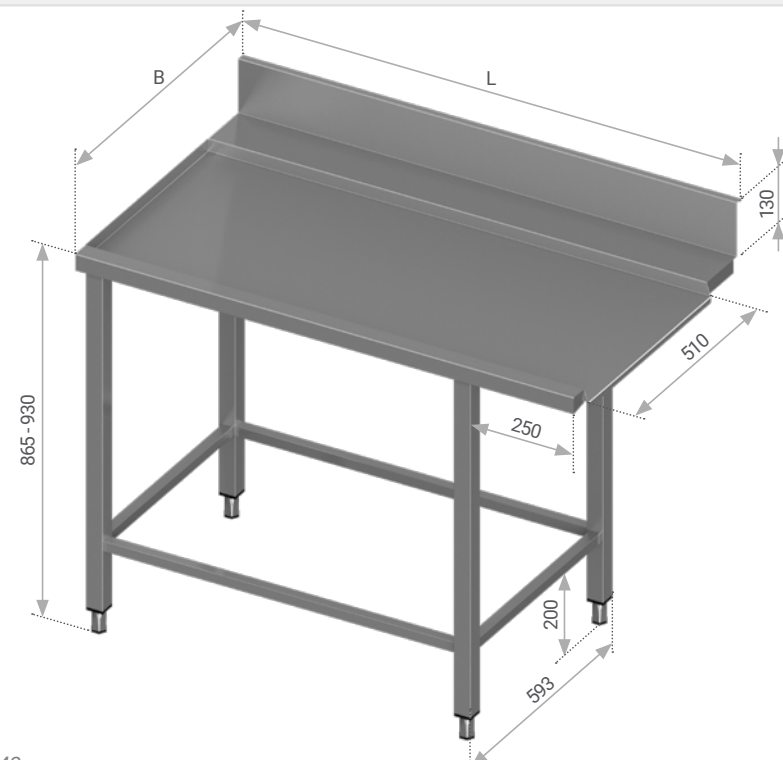
**Customised upstand (height: 40 - 120 mm)**  
Code: A-PXB-A  
Price: 35 €



**Customised legs offset (min 25 mm) (moved from left/right)**  
Code: A-PX-KAK (left)  
A-PX-KAD (right)  
Price/side: 20 €



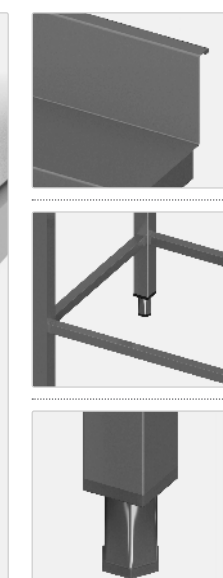
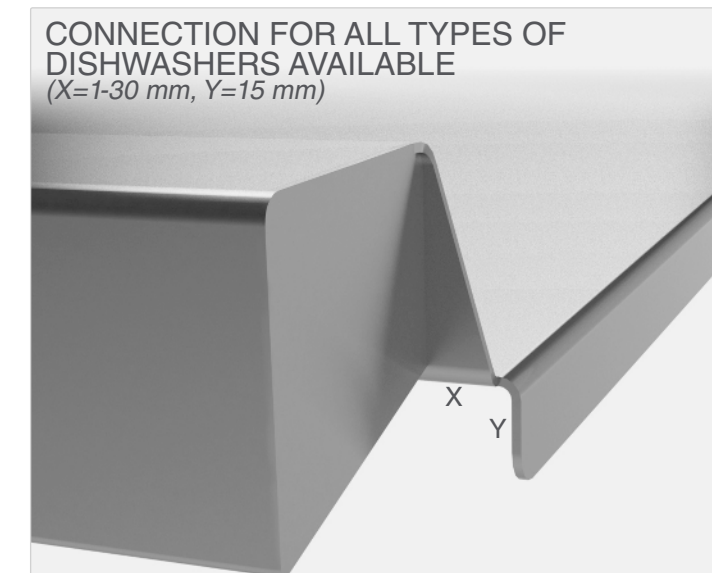
**Reinforced frame**  
Code: A-PX-RPV  
Price: 50 €  
Note: not for modular shelves



**i** More accessories on page 3.42.  
Different dimensions and configurations are available on request. Examples on page 3.46.

Length L, mm	Width B, mm					
	600		700		800	
	Model	Price, €	Model	Price, €	Model	Price, €
600	PX0-PM0-60/60/90	244	PX0-PM0-60/70/90	251	PX0-PM0-60/80/90	258
700	PX0-PM0-70/60/90	255	PX0-PM0-70/70/90	264	PX0-PM0-70/80/90	272
800	PX0-PM0-80/60/90	267	PX0-PM0-80/70/90	275	PX0-PM0-80/80/90	284
900	PX0-PM0-90/60/90	279	PX0-PM0-90/70/90	288	PX0-PM0-90/80/90	296
1000	PX0-PM0-100/60/90	289	PX0-PM0-100/70/90	299	PX0-PM0-100/80/90	310
1100	PX0-PM0-110/60/90	301	PX0-PM0-110/70/90	312	PX0-PM0-110/80/90	322
1200	PX0-PM0-120/60/90	312	PX0-PM0-120/70/90	323	PX0-PM0-120/80/90	335
1300	PX0-PM0-130/60/90	324	PX0-PM0-130/70/90	336	PX0-PM0-130/80/90	348
1400	PX0-PM0-140/60/90	335	PX0-PM0-140/70/90	348	PX0-PM0-140/80/90	360
1500	PX0-PM0-150/60/90	347	PX0-PM0-150/70/90	360	PX0-PM0-150/80/90	374
1600	PX0-PM0-160/60/90	358	PX0-PM0-160/70/90	372	PX0-PM0-160/80/90	385
1700	PX0-PM0-170/60/90	370	PX0-PM0-170/70/90	384	PX0-PM0-170/80/90	399
1800	PX0-PM0-180/60/90	381	PX0-PM0-180/70/90	396	PX0-PM0-180/80/90	411
1900	PX0-PM0-190/60/90	393	PX0-PM0-190/70/90	408	PX0-PM0-190/80/90	424
2000	PX0-PM0-200/60/90	403	PX0-PM0-200/70/90	420	PX0-PM0-200/80/90	437
2100	PX0-PM0-210/60/90	415	PX0-PM0-210/70/90	433	PX0-PM0-210/80/90	450
2200	PX0-PM0-220/60/90	426	PX0-PM0-220/70/90	444	PX0-PM0-220/80/90	462
2300	PX0-PM0-230/60/90	438	PX0-PM0-230/70/90	457	PX0-PM0-230/80/90	476
2400	PX0-PM0-240/60/90	448	PX0-PM0-240/70/90	468	PX0-PM0-240/80/90	488
2500	PX0-PM0-250/60/90	459	PX0-PM0-250/70/90	480	PX0-PM0-250/80/90	501

**STANDARD FEATURES**

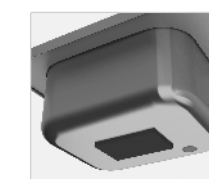


With or without upstand (all options on page 3.42)

Welded frame  
Legs made of stainless steel tube 40 x 40 mm  
Frame made of stainless steel tube 25 x 25 mm

Adjustable stainless steel feet  
(amplitude 65 mm +30/-35)

**OPTIONAL FEATURES**



**Sinks with noise dampening pads**  
All options on page 3.42 and 3.43



**Plumbing sets**  
All options on page 3.43



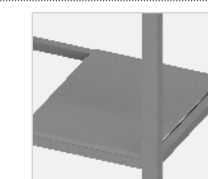
**Customised upstand (height: 40 - 120 mm)**  
Code: A-PXB-A  
Price: 35 €



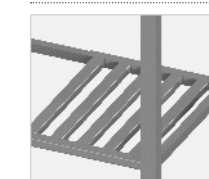
**Customised legs offset (min 25 mm) (moved from left/right)**  
Code: A-PX-KAK (left)  
A-PX-KAD (right)  
Price/side: 20 €



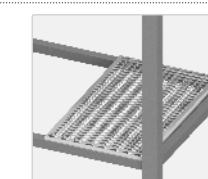
**Customised frame height (min 70 mm from floor)**  
Code: A-PXL-A  
Price: 30 €



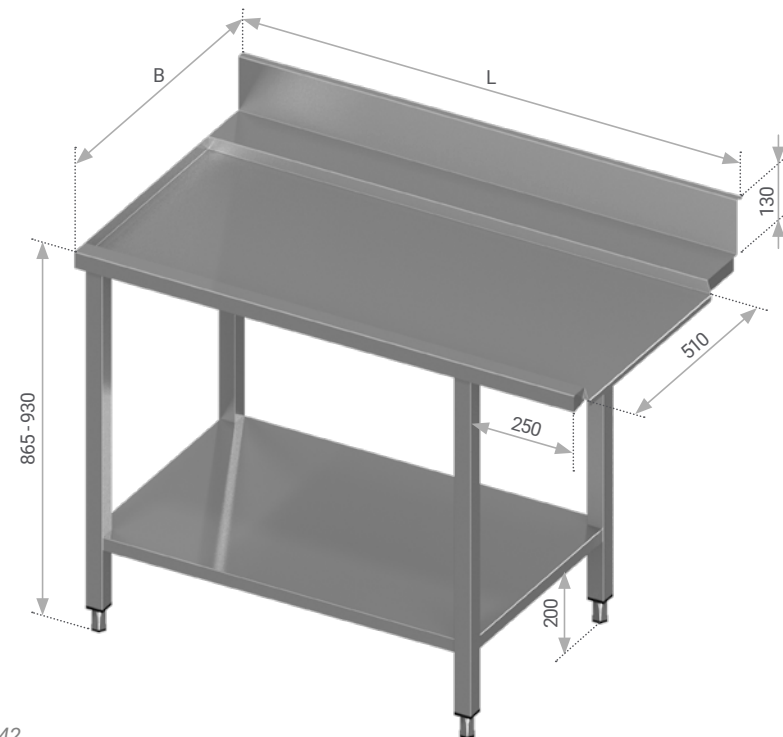
**Modular stainless steel plate shelf**  
Code: A-MSL-P  
Price: +18%



**Modular stainless steel shelf**  
Code: A-MSL-Z  
Price: +22%



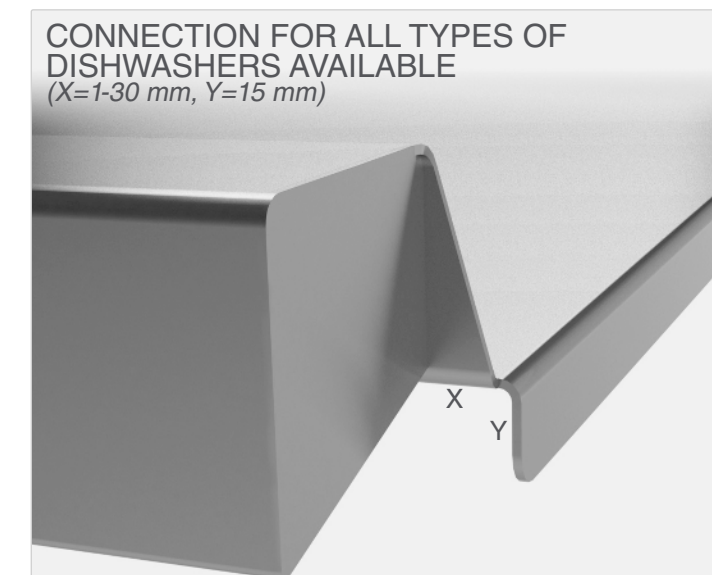
**Modular plastic shelf**  
Code: A-MSL-M  
Price: +6%



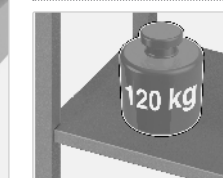
**i** More accessories on page 3.42.  
Different dimensions and configurations are available on request. Examples on page 3.46.

Length L, mm	Width B, mm					
	600		700		800	
	Model	Price, €	Model	Price, €	Model	Price, €
600	PX0-PL0-60/60/90	264	PX0-PL0-60/70/90	273	PX0-PL0-60/80/90	282
700	PX0-PL0-70/60/90	276	PX0-PL0-70/70/90	286	PX0-PL0-70/80/90	295
800	PX0-PL0-80/60/90	288	PX0-PL0-80/70/90	298	PX0-PL0-80/80/90	309
900	PX0-PL0-90/60/90	299	PX0-PL0-90/70/90	312	PX0-PL0-90/80/90	324
1000	PX0-PL0-100/60/90	317	PX0-PL0-100/70/90	330	PX0-PL0-100/80/90	342
1100	PX0-PL0-110/60/90	329	PX0-PL0-110/70/90	343	PX0-PL0-110/80/90	358
1200	PX0-PL0-120/60/90	339	PX0-PL0-120/70/90	356	PX0-PL0-120/80/90	373
1300	PX0-PL0-130/60/90	353	PX0-PL0-130/70/90	370	PX0-PL0-130/80/90	386
1400	PX0-PL0-140/60/90	365	PX0-PL0-140/70/90	383	PX0-PL0-140/80/90	401
1500	PX0-PL0-150/60/90	378	PX0-PL0-150/70/90	397	PX0-PL0-150/80/90	416
1600	PX0-PL0-160/60/90	389	PX0-PL0-160/70/90	410	PX0-PL0-160/80/90	431
1700	PX0-PL0-170/60/90	401	PX0-PL0-170/70/90	423	PX0-PL0-170/80/90	445
1800	PX0-PL0-180/60/90	415	PX0-PL0-180/70/90	437	PX0-PL0-180/80/90	459
1900	PX0-PL0-190/60/90	426	PX0-PL0-190/70/90	449	PX0-PL0-190/80/90	473
2000	PX0-PL0-200/60/90	438	PX0-PL0-200/70/90	463	PX0-PL0-200/80/90	488
2100	PX0-PL0-210/60/90	450	PX0-PL0-210/70/90	477	PX0-PL0-210/80/90	503
2200	PX0-PL0-220/60/90	464	PX0-PL0-220/70/90	490	PX0-PL0-220/80/90	517
2300	PX0-PL0-230/60/90	476	PX0-PL0-230/70/90	503	PX0-PL0-230/80/90	530
2400	PX0-PL0-240/60/90	487	PX0-PL0-240/70/90	517	PX0-PL0-240/80/90	546
2500	PX0-PL0-250/60/90	500	PX0-PL0-250/70/90	530	PX0-PL0-250/80/90	561

**STANDARD FEATURES**



With or without upstand (all options on page 3.42)

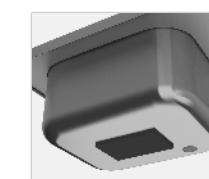


Welded frame  
Legs made of stainless steel tube 40 x 40 mm  
Max loading 120 kg/shelf (uniform layout)



Adjustable stainless steel feet  
(amplitude 65 mm +30/-35)

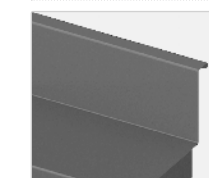
**OPTIONAL FEATURES**



**Sinks with noise dampening pads**  
All options on page 3.42 and 3.43



**Plumbing sets**  
All options on page 3.43



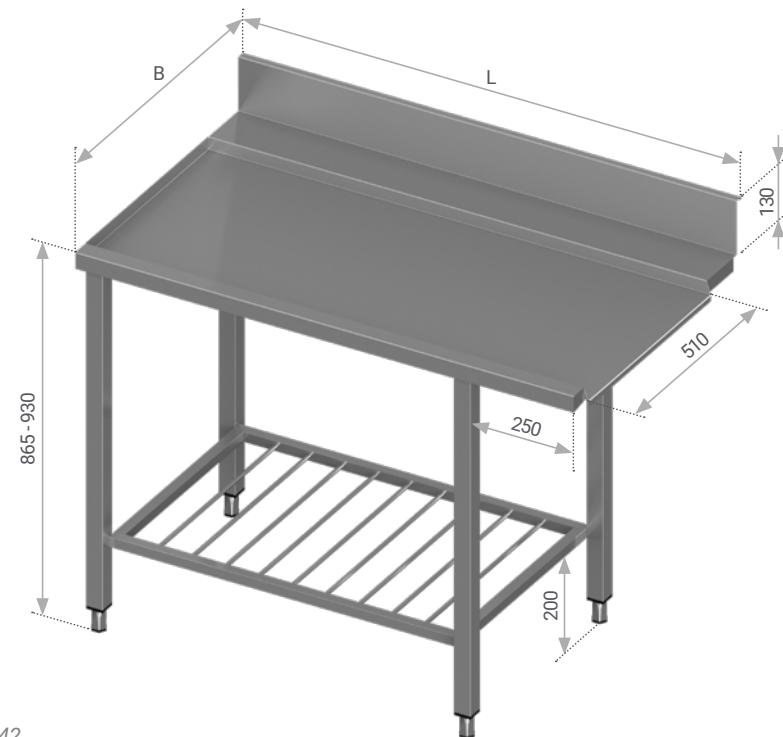
**Customised upstand (height: 40 - 120 mm)**  
Code: A-PXB-A  
Price: 35 €



**Customised legs offset (min 25 mm) (moved from left/right)**  
Code: A-PX-KAK (left)  
A-PX-KAD (right)  
Price/side: 20 €



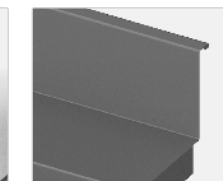
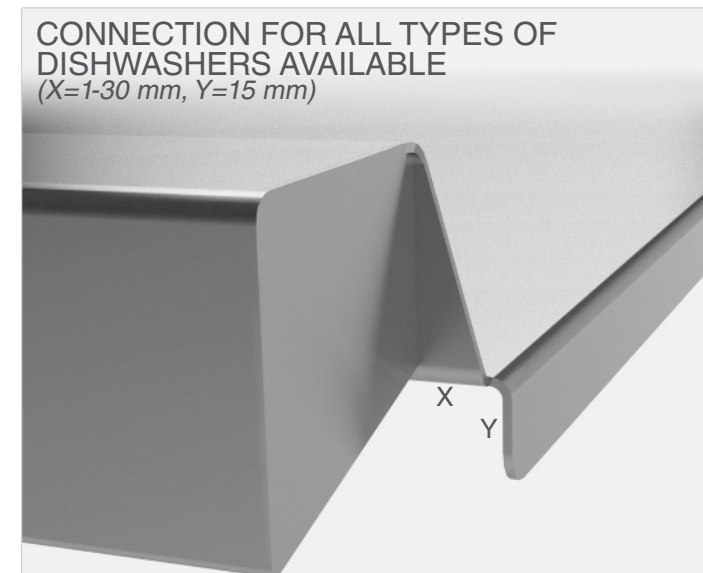
**Customised shelf height (min 70 mm from floor)**  
Code: A-PXL-A  
Price: 30 €



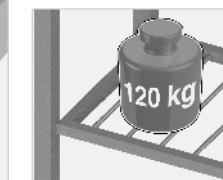
**i** More accessories on page 3.42.  
Different dimensions and configurations are available on request. Examples on page 3.46.

Length L, mm	Width B, mm					
	600		700		800	
	Model	Price, €	Model	Price, €	Model	Price, €
600	PX0-PS0-60/60/90	301	PX0-PS0-60/70/90	311	PX0-PS0-60/80/90	320
700	PX0-PS0-70/60/90	314	PX0-PS0-70/70/90	324	PX0-PS0-70/80/90	335
800	PX0-PS0-80/60/90	327	PX0-PS0-80/70/90	339	PX0-PS0-80/80/90	352
900	PX0-PS0-90/60/90	341	PX0-PS0-90/70/90	354	PX0-PS0-90/80/90	366
1000	PX0-PS0-100/60/90	357	PX0-PS0-100/70/90	372	PX0-PS0-100/80/90	386
1100	PX0-PS0-110/60/90	371	PX0-PS0-110/70/90	386	PX0-PS0-110/80/90	402
1200	PX0-PS0-120/60/90	384	PX0-PS0-120/70/90	401	PX0-PS0-120/80/90	418
1300	PX0-PS0-130/60/90	397	PX0-PS0-130/70/90	415	PX0-PS0-130/80/90	433
1400	PX0-PS0-140/60/90	411	PX0-PS0-140/70/90	429	PX0-PS0-140/80/90	448
1500	PX0-PS0-150/60/90	424	PX0-PS0-150/70/90	444	PX0-PS0-150/80/90	464
1600	PX0-PS0-160/60/90	438	PX0-PS0-160/70/90	459	PX0-PS0-160/80/90	480
1700	PX0-PS0-170/60/90	452	PX0-PS0-170/70/90	474	PX0-PS0-170/80/90	496
1800	PX0-PS0-180/60/90	464	PX0-PS0-180/70/90	488	PX0-PS0-180/80/90	512
1900	PX0-PS0-190/60/90	479	PX0-PS0-190/70/90	503	PX0-PS0-190/80/90	527
2000	PX0-PS0-200/60/90	491	PX0-PS0-200/70/90	518	PX0-PS0-200/80/90	544
2100	PX0-PS0-210/60/90	505	PX0-PS0-210/70/90	532	PX0-PS0-210/80/90	560
2200	PX0-PS0-220/60/90	518	PX0-PS0-220/70/90	546	PX0-PS0-220/80/90	574
2300	PX0-PS0-230/60/90	531	PX0-PS0-230/70/90	561	PX0-PS0-230/80/90	590
2400	PX0-PS0-240/60/90	545	PX0-PS0-240/70/90	575	PX0-PS0-240/80/90	606
2500	PX0-PS0-250/60/90	559	PX0-PS0-250/70/90	590	PX0-PS0-250/80/90	622

**STANDARD FEATURES**



With or without upstand (all options on page 3.42)

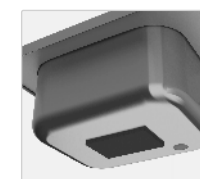


Welded frame  
Legs made of stainless steel tube 40 x 40 mm  
Max loading 120 kg/shelf (uniform layout)



Adjustable stainless steel feet  
(amplitude 65 mm +30/-35)

**OPTIONAL FEATURES**



**Sinks with noise dampening pads**  
All options on page 3.42 and 3.43



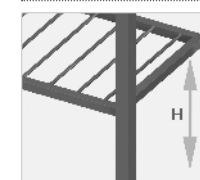
**Plumbing sets**  
All options on page 3.43



**Customised upstand (height: 40 - 120 mm)**  
Code: A-PXB-A  
Price: 35 €



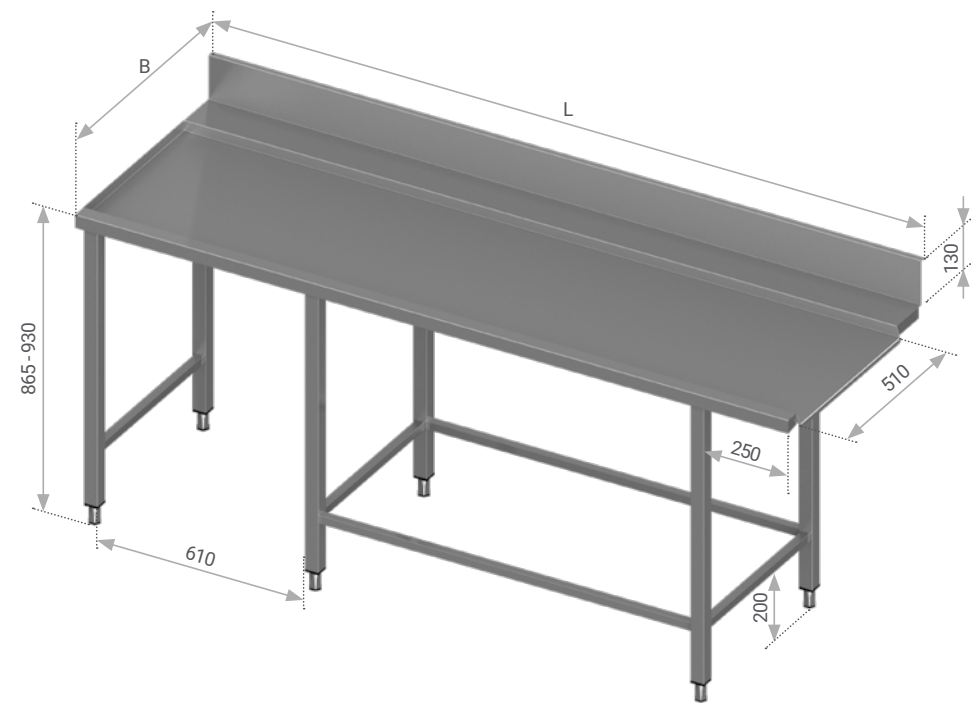
**Customised legs offset (min 25 mm) (moved from left/right)**  
Code: A-PX-KAK (left)  
A-PX-KAD (right)  
Price/side: 20 €



**Customised shelf height (min 70 mm from floor)**  
Code: A-PXL-A  
Price: 30 €



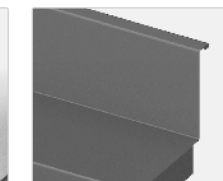
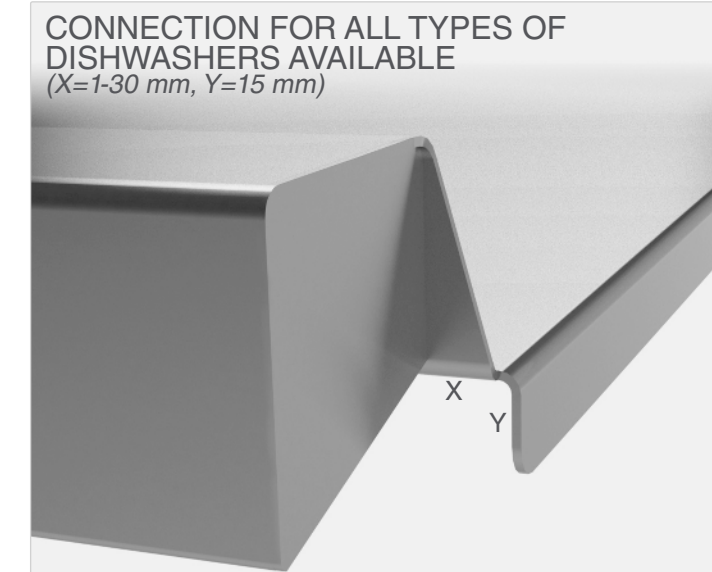
**NEW**



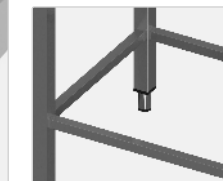
More accessories on page 3.42.  
Different dimensions and configurations are available on request. Examples on page 3.46.

Length L, mm	Width B, mm					
	600		700		800	
	Model	Price, €	Model	Price, €	Model	Price, €
1200	PX0-VM0-120/60/90	375	PX0-VM0-120/70/90	391	PX0-VM0-120/80/90	406
1300	PX0-VM0-130/60/90	387	PX0-VM0-130/70/90	404	PX0-VM0-130/80/90	421
1400	PX0-VM0-140/60/90	402	PX0-VM0-140/70/90	420	PX0-VM0-140/80/90	438
1500	PX0-VM0-150/60/90	415	PX0-VM0-150/70/90	434	PX0-VM0-150/80/90	453
1600	PX0-VM0-160/60/90	427	PX0-VM0-160/70/90	448	PX0-VM0-160/80/90	469
1700	PX0-VM0-170/60/90	441	PX0-VM0-170/70/90	462	PX0-VM0-170/80/90	483
1800	PX0-VM0-180/60/90	455	PX0-VM0-180/70/90	477	PX0-VM0-180/80/90	499
1900	PX0-VM0-190/60/90	468	PX0-VM0-190/70/90	490	PX0-VM0-190/80/90	512
2000	PX0-VM0-200/60/90	484	PX0-VM0-200/70/90	506	PX0-VM0-200/80/90	528
2100	PX0-VM0-210/60/90	495	PX0-VM0-210/70/90	520	PX0-VM0-210/80/90	545
2200	PX0-VM0-220/60/90	507	PX0-VM0-220/70/90	533	PX0-VM0-220/80/90	560
2300	PX0-VM0-230/60/90	521	PX0-VM0-230/70/90	547	PX0-VM0-230/80/90	573
2400	PX0-VM0-240/60/90	536	PX0-VM0-240/70/90	563	PX0-VM0-240/80/90	590
2500	PX0-VM0-250/60/90	550	PX0-VM0-250/70/90	579	PX0-VM0-250/80/90	607

**STANDARD FEATURES**



With or without upstand (all options on page 3.42)

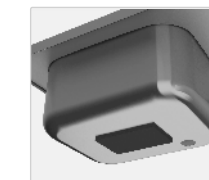


Welded frame  
Legs made of stainless steel tube 40 x 40 mm  
Frame made of stainless steel tube 25 x 25 mm



Adjustable stainless steel feet  
(amplitude 65 mm +30/-35)

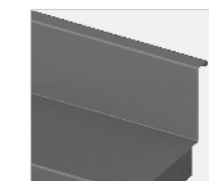
**OPTIONAL FEATURES**



**Sinks with noise dampening pads**  
All options on page 3.42 and 3.43



**Plumbing sets**  
All options on page 3.43



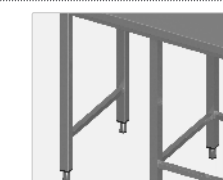
**Customised upstand (height: 40 - 120 mm)**  
Code: A-PXB-A  
Price: 35 €



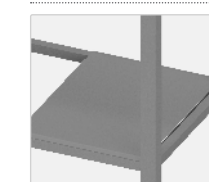
**Customised legs offset (min 25 mm) (moved from left/right)**  
Code: A-PX-KAK (left)  
A-PX-KAD (right)  
Price/side: 20 €



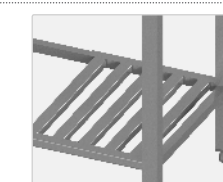
**Customised frame height (min 70 mm from floor)**  
Code: A-PXL-A  
Price: 30 €



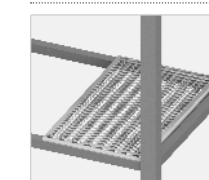
**Customised unit space width (300 - 1800 mm)**  
Code: Z-PX-WIDTH  
Price: Ask for price



**Modular stainless steel plate shelf**  
Code: A-MSL-P  
Price: +8%

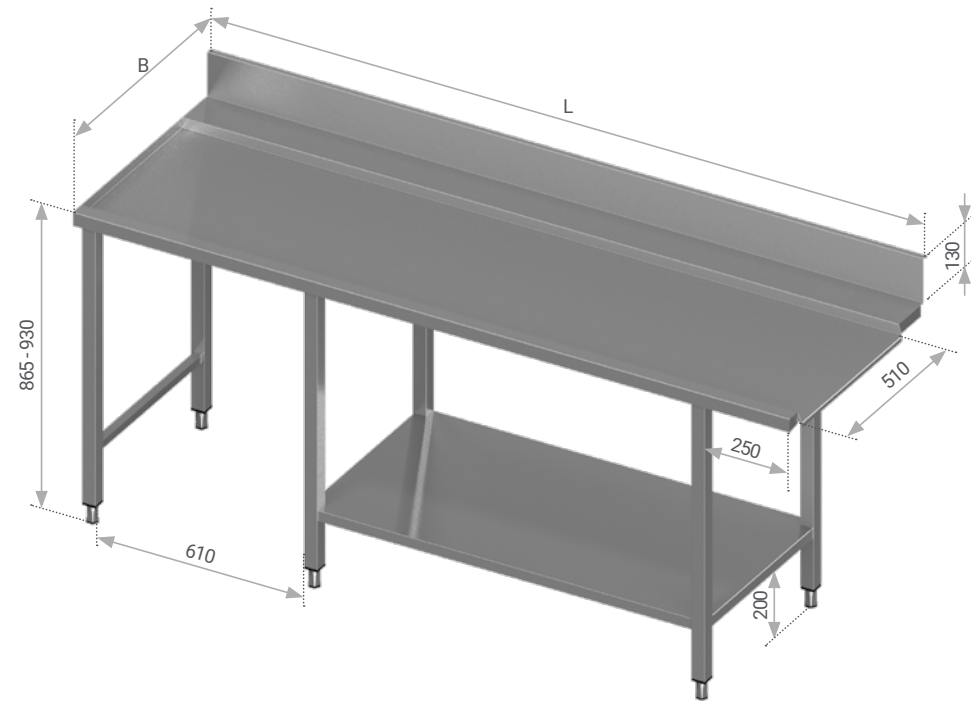


**Modular stainless steel shelf**  
Code: A-MSL-Z  
Price: +10%



**Modular plastic shelf**  
Code: A-MSL-M  
Price: +3%



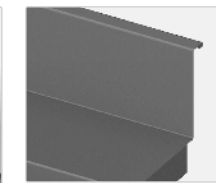
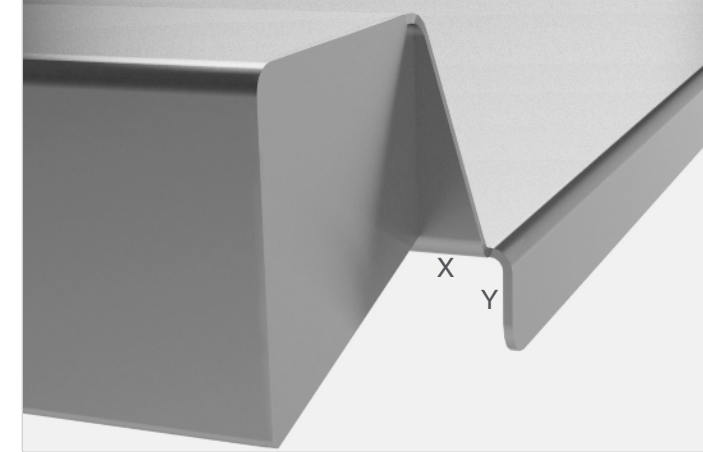


More accessories on page 3.42.  
Different dimensions and configurations are available on request. Examples on page 3.46.

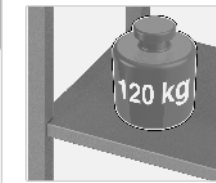
Length L, mm	Width B, mm					
	600		700		800	
	Model	Price, €	Model	Price, €	Model	Price, €
1200	PX0-VL0-120/60/90	389	PX0-VL0-120/70/90	404	PX0-VL0-120/80/90	420
1300	PX0-VL0-130/60/90	403	PX0-VL0-130/70/90	420	PX0-VL0-130/80/90	437
1400	PX0-VL0-140/60/90	418	PX0-VL0-140/70/90	436	PX0-VL0-140/80/90	454
1500	PX0-VL0-150/60/90	433	PX0-VL0-150/70/90	452	PX0-VL0-150/80/90	470
1600	PX0-VL0-160/60/90	446	PX0-VL0-160/70/90	467	PX0-VL0-160/80/90	488
1700	PX0-VL0-170/60/90	460	PX0-VL0-170/70/90	482	PX0-VL0-170/80/90	504
1800	PX0-VL0-180/60/90	476	PX0-VL0-180/70/90	498	PX0-VL0-180/80/90	520
1900	PX0-VL0-190/60/90	491	PX0-VL0-190/70/90	513	PX0-VL0-190/80/90	536
2000	PX0-VL0-200/60/90	506	PX0-VL0-200/70/90	529	PX0-VL0-200/80/90	552
2100	PX0-VL0-210/60/90	520	PX0-VL0-210/70/90	545	PX0-VL0-210/80/90	570
2200	PX0-VL0-220/60/90	533	PX0-VL0-220/70/90	560	PX0-VL0-220/80/90	586
2300	PX0-VL0-230/60/90	549	PX0-VL0-230/70/90	575	PX0-VL0-230/80/90	602
2400	PX0-VL0-240/60/90	564	PX0-VL0-240/70/90	591	PX0-VL0-240/80/90	618
2500	PX0-VL0-250/60/90	578	PX0-VL0-250/70/90	607	PX0-VL0-250/80/90	636

STANDARD FEATURES

CONNECTION FOR ALL TYPES OF  
DISHWASHERS AVAILABLE  
(X=1-30 mm, Y=15 mm)



With or without upstand (all options on page 3.42)

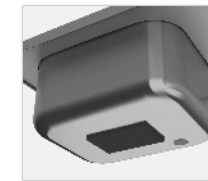


Welded frame  
Legs made of stainless steel tube 40 x 40 mm  
Max loading 120 kg/shelf (uniform layout)



Adjustable stainless steel feet  
(amplitude 65 mm +30/-35)

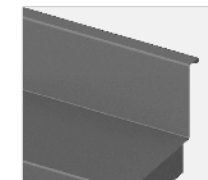
OPTIONAL FEATURES



**Sinks with noise dampening pads**  
All options on page 3.42 and 3.43



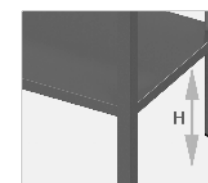
**Plumbing sets**  
All options on page 3.43



**Customised upstand (height: 40 - 120 mm)**  
Code: A-PXB-A  
Price: 35 €



**Customised legs offset (min 25 mm)  
(moved from left/right)**  
Code: A-PX-KAK (left)  
A-PX-KAD (right)  
Price/side: 20 €

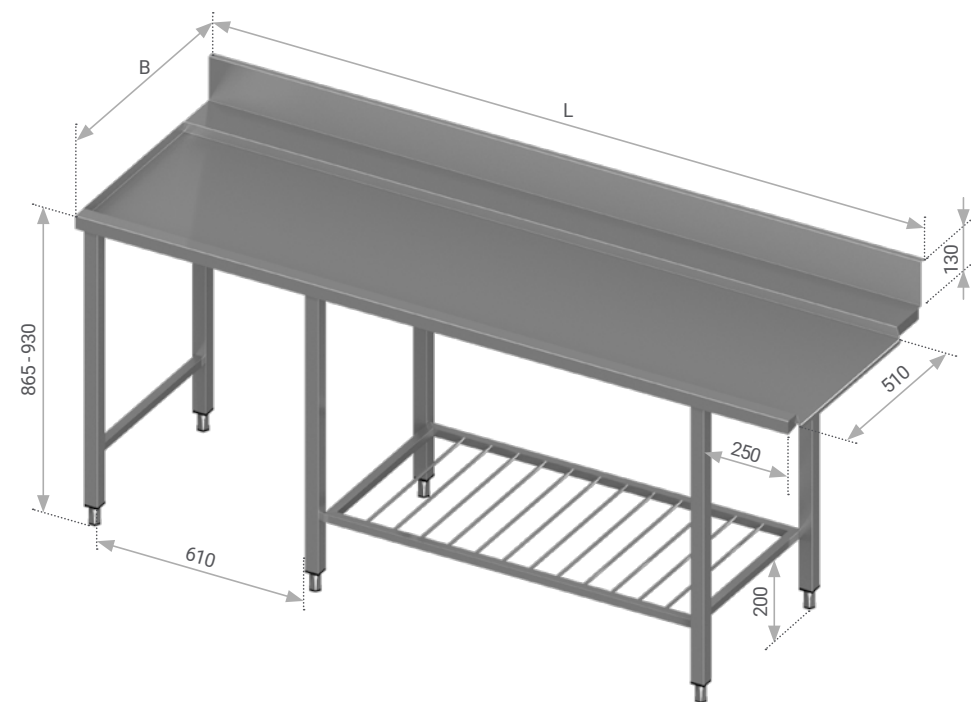


**Customised shelf height (min 70 mm from floor)**  
Code: A-PXL-A  
Price: 30 €



**Customised unit space width (300 - 1800 mm)**  
Code: Z-PX-WIDTH  
Price: Ask for price

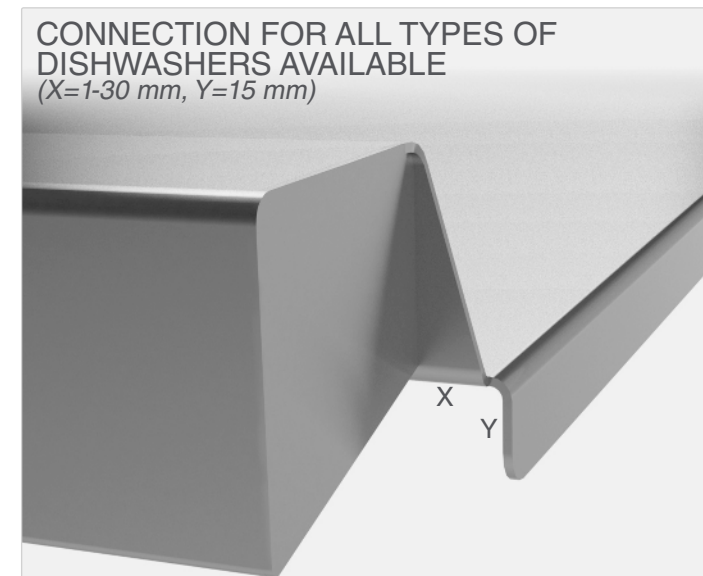
**NEW**



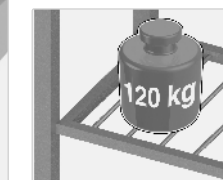
More accessories on page 3.42.  
Different dimensions and configurations are available on request. Examples on page 3.46.

Length L, mm	Width B, mm					
	600		700		800	
	Model	Price, €	Model	Price, €	Model	Price, €
1200	PX0-VS0-120/60/90	434	PX0-VS0-120/70/90	449	PX0-VS0-120/80/90	465
1300	PX0-VS0-130/60/90	447	PX0-VS0-130/70/90	465	PX0-VS0-130/80/90	483
1400	PX0-VS0-140/60/90	463	PX0-VS0-140/70/90	482	PX0-VS0-140/80/90	501
1500	PX0-VS0-150/60/90	479	PX0-VS0-150/70/90	499	PX0-VS0-150/80/90	519
1600	PX0-VS0-160/60/90	496	PX0-VS0-160/70/90	517	PX0-VS0-160/80/90	538
1700	PX0-VS0-170/60/90	510	PX0-VS0-170/70/90	532	PX0-VS0-170/80/90	554
1800	PX0-VS0-180/60/90	525	PX0-VS0-180/70/90	549	PX0-VS0-180/80/90	573
1900	PX0-VS0-190/60/90	544	PX0-VS0-190/70/90	567	PX0-VS0-190/80/90	590
2000	PX0-VS0-200/60/90	560	PX0-VS0-200/70/90	584	PX0-VS0-200/80/90	608
2100	PX0-VS0-210/60/90	574	PX0-VS0-210/70/90	601	PX0-VS0-210/80/90	627
2200	PX0-VS0-220/60/90	587	PX0-VS0-220/70/90	615	PX0-VS0-220/80/90	644
2300	PX0-VS0-230/60/90	605	PX0-VS0-230/70/90	633	PX0-VS0-230/80/90	662
2400	PX0-VS0-240/60/90	622	PX0-VS0-240/70/90	650	PX0-VS0-240/80/90	678
2500	PX0-VS0-250/60/90	636	PX0-VS0-250/70/90	667	PX0-VS0-250/80/90	697

**STANDARD FEATURES**



With or without upstand (all options on page 3.42)

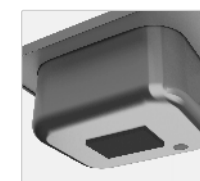


Welded frame  
Legs made of stainless steel tube 40 x 40 mm  
Max loading 120 kg/shelf (uniform layout)



Adjustable stainless steel feet  
(amplitude 65 mm +30/-35)

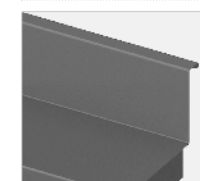
**OPTIONAL FEATURES**



**Sinks with noise dampening pads**  
All options on page 3.42 and 3.43



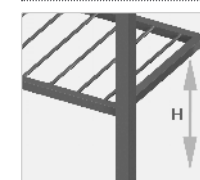
**Plumbing sets**  
All options on page 3.43



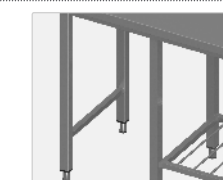
**Customised upstand (height: 40 - 120 mm)**  
Code: A-PXB-A  
Price: 35 €



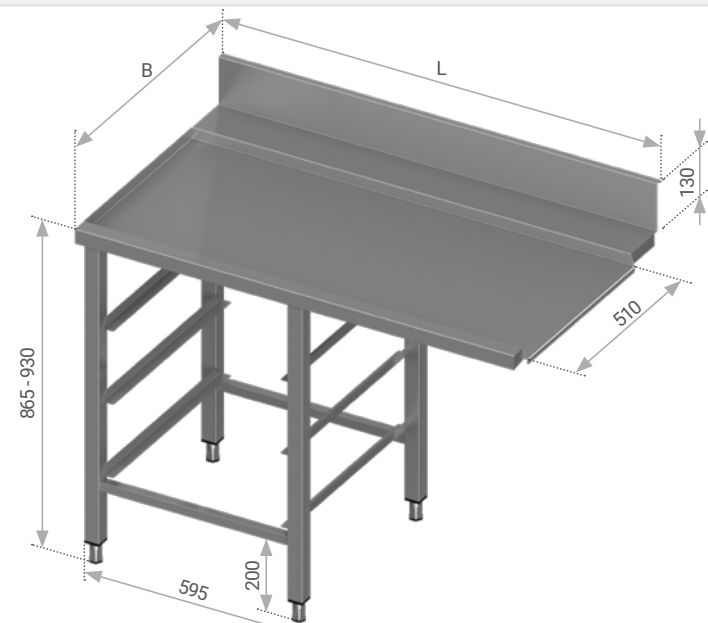
**Customised legs offset (min 25 mm) (moved from left/right)**  
Code: A-PX-KAK (left)  
A-PX-KAD (right)  
Price/side: 20 €



**Customised shelf height (min 70 mm from floor)**  
Code: A-PXL-A  
Price: 30 €



**Customised unit space width (300 - 1800 mm)**  
Code: Z-PX-WIDTH  
Price: Ask for price

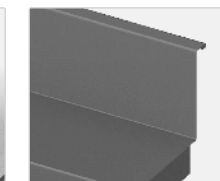
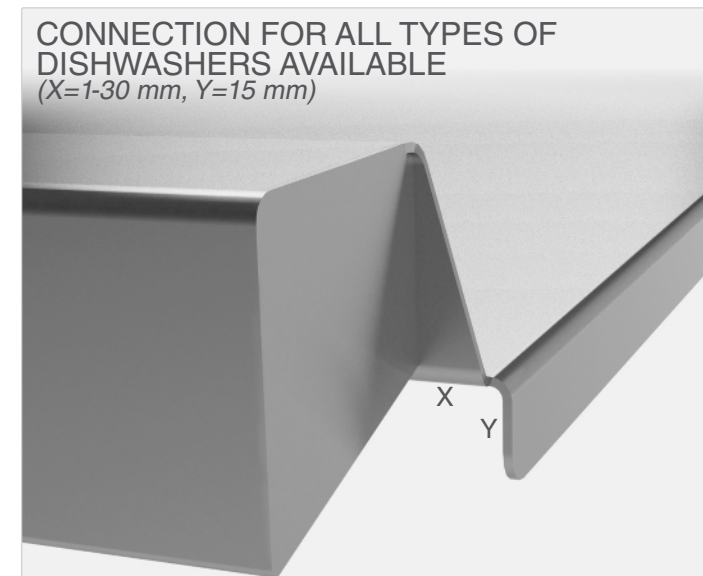


*More accessories on page 3.42. Different dimensions and configurations are available on request. Examples on page 3.46.*

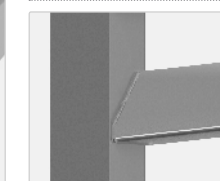
Length L, mm	Width B, mm						Guides
	600		700		800		
	Model	Price, €	Model	Price, €	Model	Price, €	
700	PX0-BR3-70/60/90	373	PX0-BR3-70/70/90	381	PX0-BR3-70/80/90	390	3 pairs
800	PX0-BR3-80/60/90	381	PX0-BR3-80/70/90	390	PX0-BR3-80/80/90	398	3 pairs
900	PX0-BR3-90/60/90	389	PX0-BR3-90/70/90	398	PX0-BR3-90/80/90	407	3 pairs
1000	PX0-BR3-100/60/90	396	PX0-BR3-100/70/90	406	PX0-BR3-100/80/90	417	3 pairs
1100	PX0-BR3-110/60/90	404	PX0-BR3-110/70/90	415	PX0-BR3-110/80/90	425	3 pairs
1200	PX0-BR3-120/60/90	412	PX0-BR3-120/70/90	423	PX0-BR3-120/80/90	435	3 pairs
1300	PX0-BR3-130/60/90	420	PX0-BR3-130/70/90	432	PX0-BR3-130/80/90	443	3 pairs
1400	PX0-BR3-140/60/90	427	PX0-BR3-140/70/90	440	PX0-BR3-140/80/90	453	3 pairs
1500	PX0-BR3-150/60/90	435	PX0-BR3-150/70/90	448	PX0-BR3-150/80/90	462	3 pairs
1600	PX0-BR3-160/60/90	443	PX0-BR3-160/70/90	457	PX0-BR3-160/80/90	470	3 pairs
1700	PX0-BR3-170/60/90	452	PX0-BR3-170/70/90	465	PX0-BR3-170/80/90	479	3 pairs
1800	PX0-BR3-180/60/90	459	PX0-BR3-180/70/90	474	PX0-BR3-180/80/90	488	3 pairs
1900	PX0-BR3-190/60/90	466	PX0-BR3-190/70/90	482	PX0-BR3-190/80/90	498	3 pairs
2000	PX0-BR3-200/60/90	475	PX0-BR3-200/70/90	490	PX0-BR3-200/80/90	506	3 pairs
2100	PX0-BR3-210/60/90	481	PX0-BR3-210/70/90	499	PX0-BR3-210/80/90	517	3 pairs
2200	PX0-BR3-220/60/90	489	PX0-BR3-220/70/90	507	PX0-BR3-220/80/90	525	3 pairs
2300	PX0-BR3-230/60/90	497	PX0-BR3-230/70/90	516	PX0-BR3-230/80/90	534	3 pairs
2400	PX0-BR3-240/60/90	504	PX0-BR3-240/70/90	524	PX0-BR3-240/80/90	544	3 pairs
2500	PX0-BR3-250/60/90	511	PX0-BR3-250/70/90	532	PX0-BR3-250/80/90	553	3 pairs

Length L, mm	Width B, mm						Guides
	600		700		800		
	Model	Price, €	Model	Price, €	Model	Price, €	
700	PX0-BR4-70/60/90	384	PX0-BR4-70/70/90	393	PX0-BR4-70/80/90	401	4 pairs
800	PX0-BR4-80/60/90	393	PX0-BR4-80/70/90	401	PX0-BR4-80/80/90	410	4 pairs
900	PX0-BR4-90/60/90	400	PX0-BR4-90/70/90	410	PX0-BR4-90/80/90	419	4 pairs
1000	PX0-BR4-100/60/90	407	PX0-BR4-100/70/90	418	PX0-BR4-100/80/90	428	4 pairs
1100	PX0-BR4-110/60/90	416	PX0-BR4-110/70/90	426	PX0-BR4-110/80/90	437	4 pairs
1200	PX0-BR4-120/60/90	423	PX0-BR4-120/70/90	435	PX0-BR4-120/80/90	446	4 pairs
1300	PX0-BR4-130/60/90	432	PX0-BR4-130/70/90	443	PX0-BR4-130/80/90	455	4 pairs
1400	PX0-BR4-140/60/90	439	PX0-BR4-140/70/90	452	PX0-BR4-140/80/90	464	4 pairs
1500	PX0-BR4-150/60/90	446	PX0-BR4-150/70/90	460	PX0-BR4-150/80/90	474	4 pairs
1600	PX0-BR4-160/60/90	455	PX0-BR4-160/70/90	468	PX0-BR4-160/80/90	482	4 pairs
1700	PX0-BR4-170/60/90	463	PX0-BR4-170/70/90	477	PX0-BR4-170/80/90	490	4 pairs
1800	PX0-BR4-180/60/90	470	PX0-BR4-180/70/90	485	PX0-BR4-180/80/90	500	4 pairs
1900	PX0-BR4-190/60/90	478	PX0-BR4-190/70/90	494	PX0-BR4-190/80/90	509	4 pairs
2000	PX0-BR4-200/60/90	486	PX0-BR4-200/70/90	502	PX0-BR4-200/80/90	518	4 pairs
2100	PX0-BR4-210/60/90	492	PX0-BR4-210/70/90	510	PX0-BR4-210/80/90	528	4 pairs
2200	PX0-BR4-220/60/90	501	PX0-BR4-220/70/90	519	PX0-BR4-220/80/90	537	4 pairs
2300	PX0-BR4-230/60/90	508	PX0-BR4-230/70/90	527	PX0-BR4-230/80/90	546	4 pairs
2400	PX0-BR4-240/60/90	516	PX0-BR4-240/70/90	536	PX0-BR4-240/80/90	555	4 pairs
2500	PX0-BR4-250/60/90	523	PX0-BR4-250/70/90	544	PX0-BR4-250/80/90	565	4 pairs

**STANDARD FEATURES**



With or without upstand (all options on page 3.42)

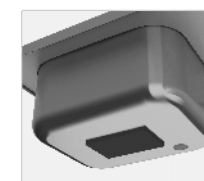


Hygienic type of welding



Adjustable stainless steel feet (amplitude 65 mm +30/-35)

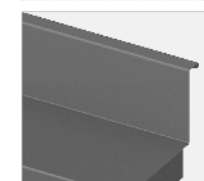
**OPTIONAL FEATURES**



**Sinks with noise dampening pads**  
All options on page 3.42 and 3.43



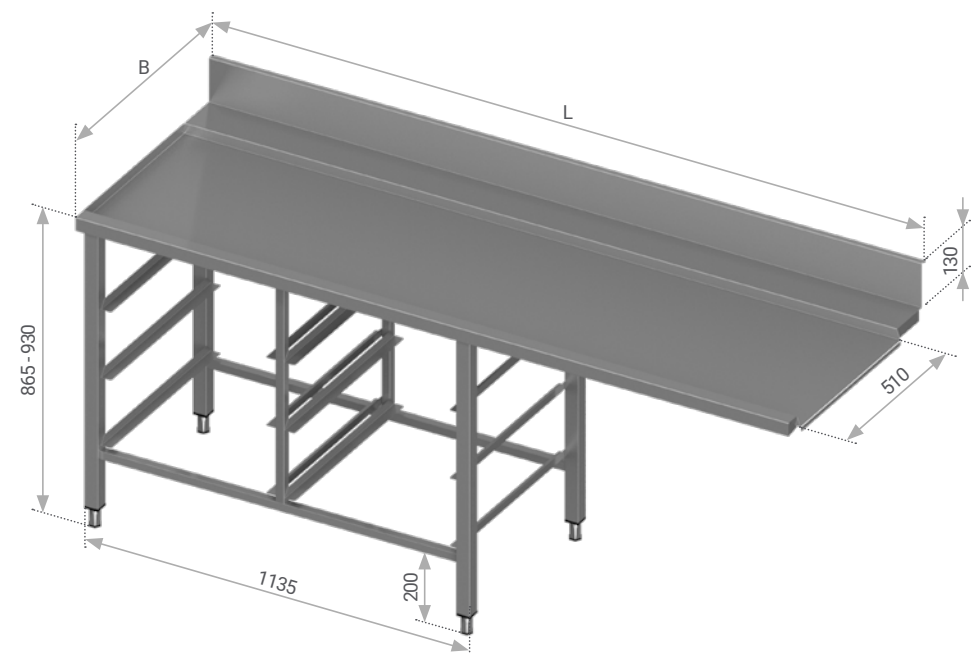
**Plumbing sets**  
All options on page 3.43



**Customised upstand (height: 40 - 120 mm)**  
Code: A-PXB-A  
Price: 35 €



**Customised legs offset (min 25 mm) (moved from left/right)**  
Code: A-PX-KAK (left) or A-PX-KAD (right)  
Price/side: 20 €

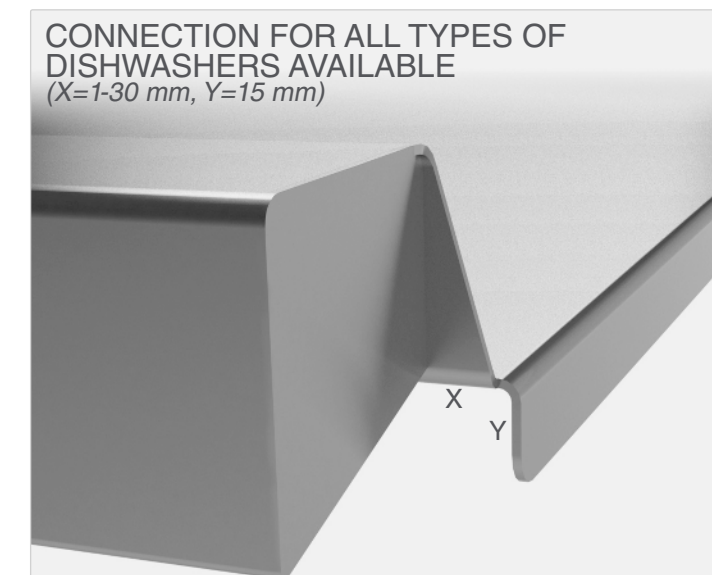


**i** More accessories on page 3.42.  
Different dimensions and configurations are available on request. Examples on page 3.46.

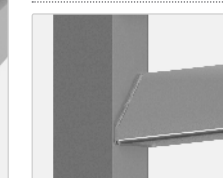
Length L, mm	Width B, mm						Guides
	600		700		800		
	Model	Price, €	Model	Price, €	Model	Price, €	
1200	PX0-BR6-120/60/90	517	PX0-BR6-120/70/90	528	PX0-BR6-120/80/90	540	6 pairs
1300	PX0-BR6-130/60/90	525	PX0-BR6-130/70/90	537	PX0-BR6-130/80/90	548	6 pairs
1400	PX0-BR6-140/60/90	532	PX0-BR6-140/70/90	545	PX0-BR6-140/80/90	558	6 pairs
1500	PX0-BR6-150/60/90	540	PX0-BR6-150/70/90	553	PX0-BR6-150/80/90	567	6 pairs
1600	PX0-BR6-160/60/90	548	PX0-BR6-160/70/90	562	PX0-BR6-160/80/90	575	6 pairs
1700	PX0-BR6-170/60/90	557	PX0-BR6-170/70/90	570	PX0-BR6-170/80/90	584	6 pairs
1800	PX0-BR6-180/60/90	564	PX0-BR6-180/70/90	579	PX0-BR6-180/80/90	593	6 pairs
1900	PX0-BR6-190/60/90	571	PX0-BR6-190/70/90	587	PX0-BR6-190/80/90	603	6 pairs
2000	PX0-BR6-200/60/90	580	PX0-BR6-200/70/90	595	PX0-BR6-200/80/90	611	6 pairs
2100	PX0-BR6-210/60/90	586	PX0-BR6-210/70/90	604	PX0-BR6-210/80/90	622	6 pairs
2200	PX0-BR6-220/60/90	594	PX0-BR6-220/70/90	612	PX0-BR6-220/80/90	630	6 pairs
2300	PX0-BR6-230/60/90	602	PX0-BR6-230/70/90	621	PX0-BR6-230/80/90	639	6 pairs
2400	PX0-BR6-240/60/90	609	PX0-BR6-240/70/90	629	PX0-BR6-240/80/90	649	6 pairs
2500	PX0-BR6-250/60/90	616	PX0-BR6-250/70/90	637	PX0-BR6-250/80/90	658	6 pairs

Length L, mm	Width B, mm						Guides
	600		700		800		
	Model	Price, €	Model	Price, €	Model	Price, €	
1200	PX0-BR8-120/60/90	539	PX0-BR8-120/70/90	550	PX0-BR8-120/80/90	562	8 pairs
1300	PX0-BR8-130/60/90	547	PX0-BR8-130/70/90	559	PX0-BR8-130/80/90	570	8 pairs
1400	PX0-BR8-140/60/90	554	PX0-BR8-140/70/90	567	PX0-BR8-140/80/90	580	8 pairs
1500	PX0-BR8-150/60/90	562	PX0-BR8-150/70/90	575	PX0-BR8-150/80/90	589	8 pairs
1600	PX0-BR8-160/60/90	570	PX0-BR8-160/70/90	584	PX0-BR8-160/80/90	597	8 pairs
1700	PX0-BR8-170/60/90	579	PX0-BR8-170/70/90	592	PX0-BR8-170/80/90	606	8 pairs
1800	PX0-BR8-180/60/90	586	PX0-BR8-180/70/90	601	PX0-BR8-180/80/90	615	8 pairs
1900	PX0-BR8-190/60/90	593	PX0-BR8-190/70/90	609	PX0-BR8-190/80/90	625	8 pairs
2000	PX0-BR8-200/60/90	602	PX0-BR8-200/70/90	617	PX0-BR8-200/80/90	633	8 pairs
2100	PX0-BR8-210/60/90	608	PX0-BR8-210/70/90	626	PX0-BR8-210/80/90	644	8 pairs
2200	PX0-BR8-220/60/90	616	PX0-BR8-220/70/90	634	PX0-BR8-220/80/90	652	8 pairs
2300	PX0-BR8-230/60/90	624	PX0-BR8-230/70/90	643	PX0-BR8-230/80/90	662	8 pairs
2400	PX0-BR8-240/60/90	631	PX0-BR8-240/70/90	651	PX0-BR8-240/80/90	671	8 pairs
2500	PX0-BR8-250/60/90	638	PX0-BR8-250/70/90	659	PX0-BR8-250/80/90	680	8 pairs

**STANDARD FEATURES**



With or without upstand (all options on page 3.42)

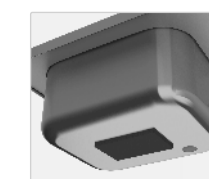


Hygienic type of welding



Adjustable stainless steel feet (amplitude 65 mm +30/-35)

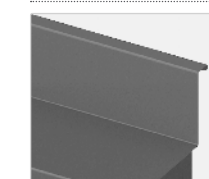
**OPTIONAL FEATURES**



**Sinks with noise dampening pads**  
All options on page 3.42 and 3.43



**Plumbing sets**  
All options on page 3.43

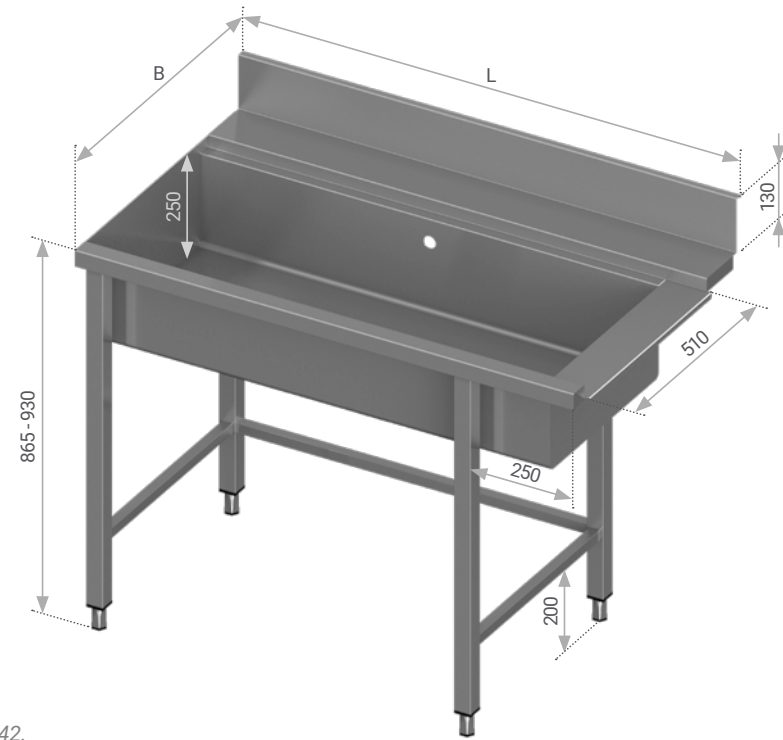


**Customised upstand (height: 40 - 120 mm)**  
Code: A-PXB-A  
Price: 35 €



**Customised legs offset (min 25 mm) (moved from left/right)**  
Code: A-PX-KAK (left) or A-PX-KAD (right)  
Price/side: 20 €

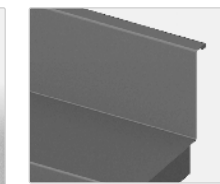
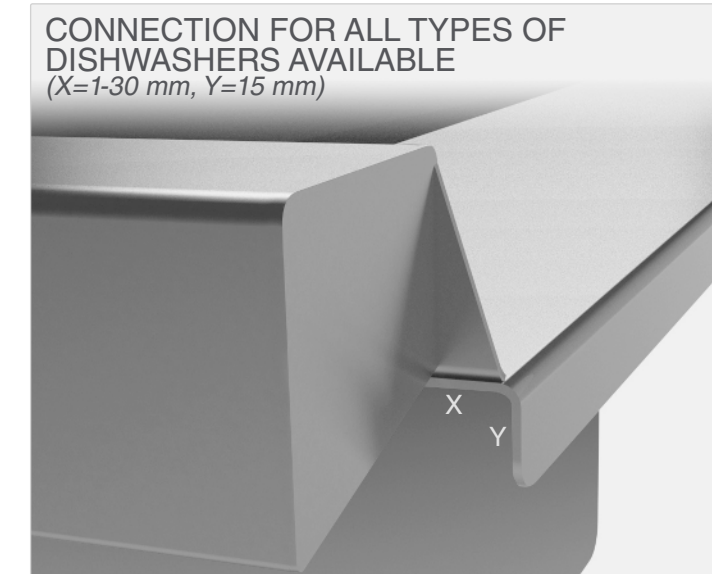




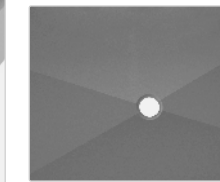
*More accessories on page 3.42.  
Different dimensions and configurations are available on request. Examples on page 3.46.*

Length L, mm	Width B, mm					
	600		700		800	
	Model	Price, €	Model	Price, €	Model	Price, €
800	PV1-PR0-80/60/90	562	PV1-PR0-80/70/90	579	PV1-PR0-80/80/90	595
900	PV1-PR0-90/60/90	586	PV1-PR0-90/70/90	605	PV1-PR0-90/80/90	623
1000	PV1-PR0-100/60/90	610	PV1-PR0-100/70/90	630	PV1-PR0-100/80/90	651
1100	PV1-PR0-110/60/90	636	PV1-PR0-110/70/90	656	PV1-PR0-110/80/90	677
1200	PV1-PR0-120/60/90	659	PV1-PR0-120/70/90	682	PV1-PR0-120/80/90	705
1300	PV1-PR0-130/60/90	685	PV1-PR0-130/70/90	708	PV1-PR0-130/80/90	730
1400	PV1-PR0-140/60/90	709	PV1-PR0-140/70/90	733	PV1-PR0-140/80/90	758
1500	PV1-PR0-150/60/90	732	PV1-PR0-150/70/90	759	PV1-PR0-150/80/90	786
1600	PV1-PR0-160/60/90	755	PV1-PR0-160/70/90	785	PV1-PR0-160/80/90	814

**STANDARD FEATURES**



With or without upstand (all options on page 3.42)

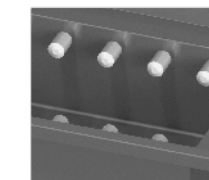


Sink with drain grooves for water run-off



Adjustable stainless steel feet (amplitude 65 mm +30/-35)

**OPTIONAL FEATURES**



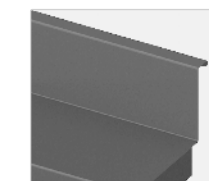
**Short rolls**

Code: Z-K-RR-D50/70  
Price: Ask for price



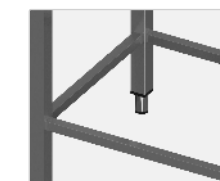
**Plumbing sets**

All options on page 3.43



**Customised upstand (height: 40 - 120 mm)**

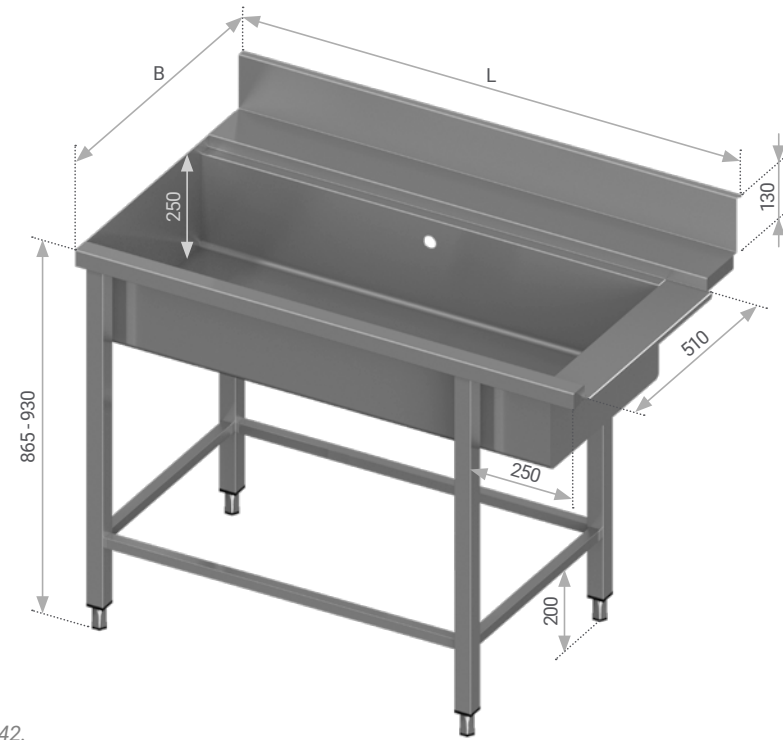
Code: A-PXB-A  
Price: 35 €



**Reinforced frame**

Code: A-PX-RPV  
Price: 50 €  
Note: not for modular shelves

NEW

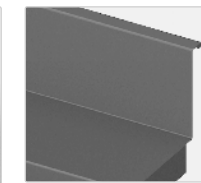
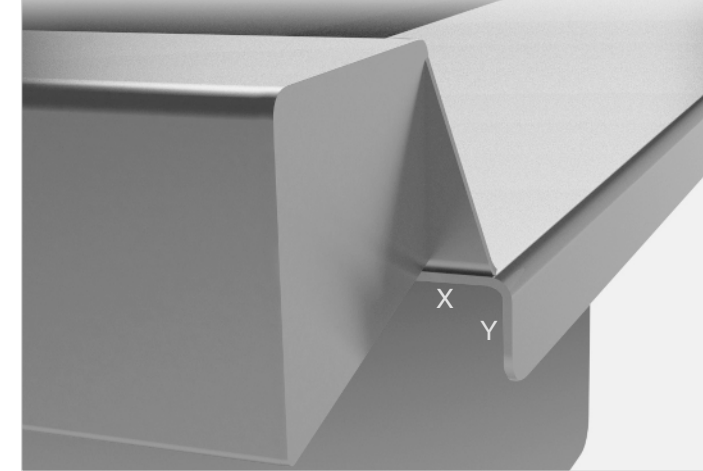


More accessories on page 3.42.  
Different dimensions and configurations are available on request. Examples on page 3.46.

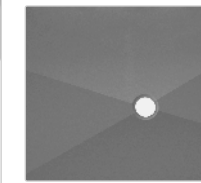
Length L, mm	Width B, mm					
	600		700		800	
	Model	Price, €	Model	Price, €	Model	Price, €
800	PV1-PM0-80/60/90	572	PV1-PM0-80/70/90	588	PV1-PM0-80/80/90	605
900	PV1-PM0-90/60/90	599	PV1-PM0-90/70/90	616	PV1-PM0-90/80/90	634
1000	PV1-PM0-100/60/90	620	PV1-PM0-100/70/90	641	PV1-PM0-100/80/90	661
1100	PV1-PM0-110/60/90	648	PV1-PM0-110/70/90	669	PV1-PM0-110/80/90	689
1200	PV1-PM0-120/60/90	673	PV1-PM0-120/70/90	696	PV1-PM0-120/80/90	718
1300	PV1-PM0-130/60/90	701	PV1-PM0-130/70/90	723	PV1-PM0-130/80/90	746
1400	PV1-PM0-140/60/90	724	PV1-PM0-140/70/90	749	PV1-PM0-140/80/90	774
1500	PV1-PM0-150/60/90	750	PV1-PM0-150/70/90	777	PV1-PM0-150/80/90	804
1600	PV1-PM0-160/60/90	776	PV1-PM0-160/70/90	805	PV1-PM0-160/80/90	834

STANDARD FEATURES

CONNECTION FOR ALL TYPES OF DISHWASHERS AVAILABLE  
(X=1-30 mm, Y=15 mm)



With or without upstand (all options on page 3.42)

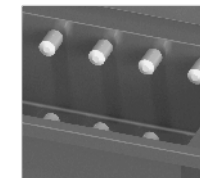


Sink with drain grooves for water run-off



Adjustable stainless steel feet  
(amplitude 65 mm +30/-35)

OPTIONAL FEATURES



Short rolls

Code: Z-K-RR-D50/70  
Price: Ask for price



Plumbing sets

All options on page 3.43



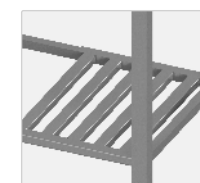
Customised upstand (height: 40 - 120 mm)

Code: A-PXB-A  
Price: 35 €



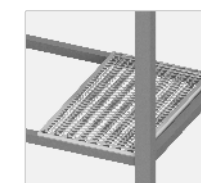
Modular stainless steel plate shelf

Code: A-MSL-P  
Price: +15%



Modular stainless steel shelf

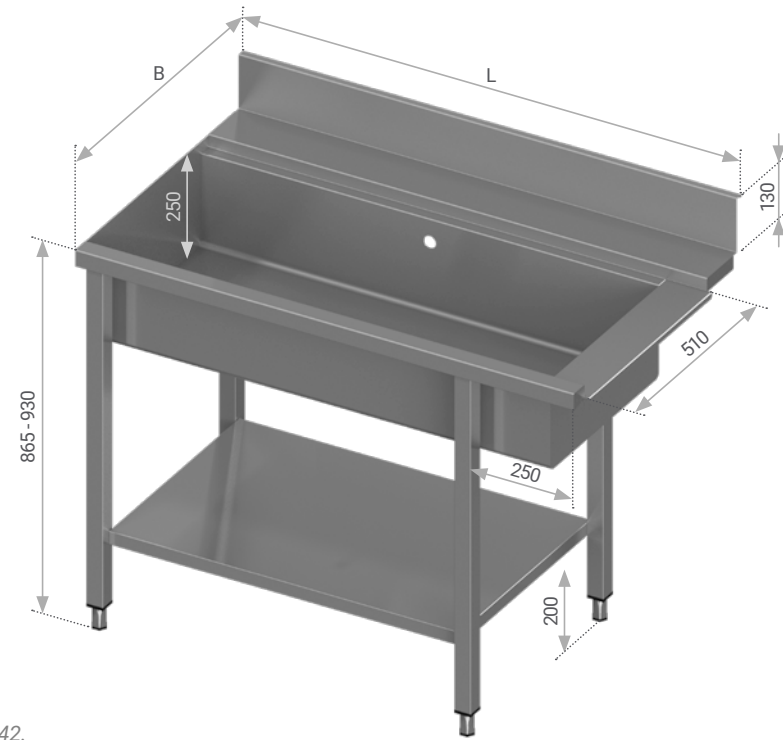
Code: A-MSL-Z  
Price: +18%



Modular plastic shelf

Code: A-MSL-M  
Price: +5%

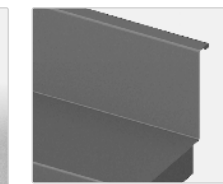
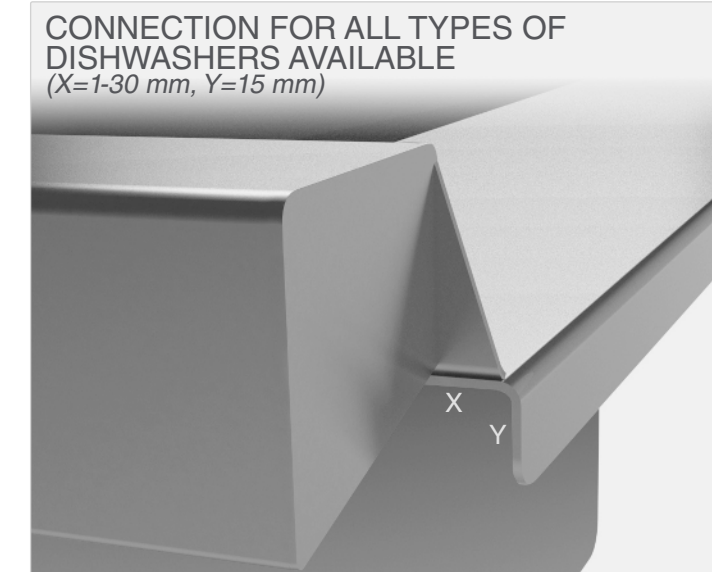
**NEW**



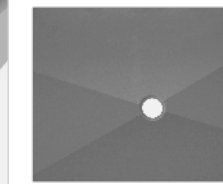
*More accessories on page 3.42.  
Different dimensions and configurations are available on request. Examples on page 3.46.*

Length L, mm	Width B, mm					
	600		700		800	
	Model	Price, €	Model	Price, €	Model	Price, €
800	PV1-PL0-80/60/90	593	PV1-PL0-80/70/90	611	PV1-PL0-80/80/90	630
900	PV1-PL0-90/60/90	619	PV1-PL0-90/70/90	640	PV1-PL0-90/80/90	662
1000	PV1-PL0-100/60/90	649	PV1-PL0-100/70/90	671	PV1-PL0-100/80/90	694
1100	PV1-PL0-110/60/90	675	PV1-PL0-110/70/90	700	PV1-PL0-110/80/90	725
1200	PV1-PL0-120/60/90	700	PV1-PL0-120/70/90	728	PV1-PL0-120/80/90	756
1300	PV1-PL0-130/60/90	729	PV1-PL0-130/70/90	757	PV1-PL0-130/80/90	785
1400	PV1-PL0-140/60/90	755	PV1-PL0-140/70/90	785	PV1-PL0-140/80/90	815
1500	PV1-PL0-150/60/90	782	PV1-PL0-150/70/90	814	PV1-PL0-150/80/90	846
1600	PV1-PL0-160/60/90	809	PV1-PL0-160/70/90	843	PV1-PL0-160/80/90	877

**STANDARD FEATURES**



With or without upstand (all options on page 3.42)

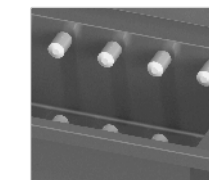


Sink with drain grooves for water run-off



Adjustable stainless steel feet (amplitude 65 mm +30/-35)

**OPTIONAL FEATURES**



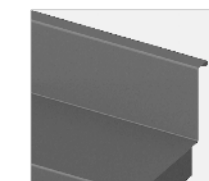
**Short rolls**

Code: Z-K-RR-D50/70  
Price: Ask for price



**Plumbing sets**

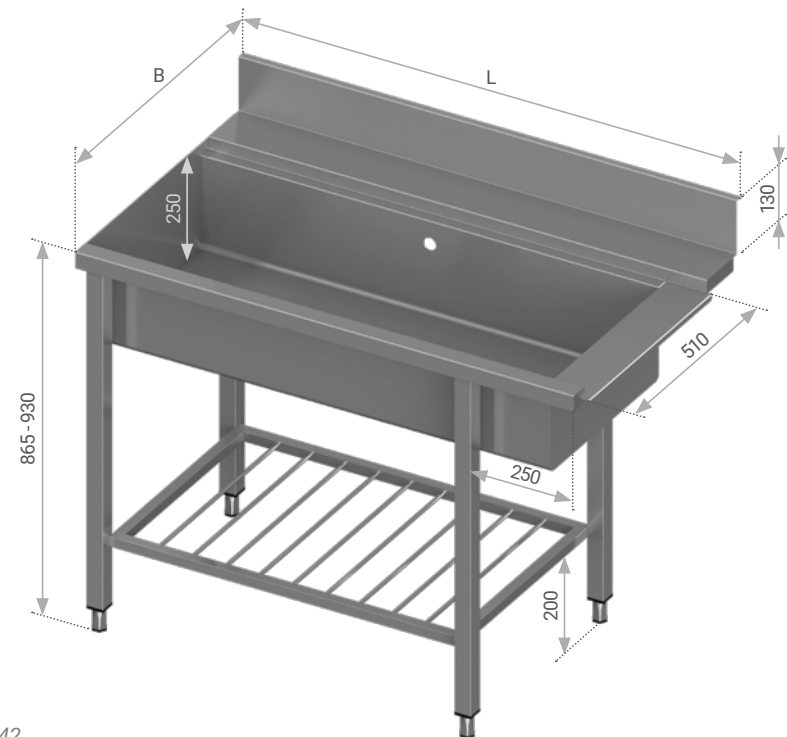
All options on page 3.43



**Customised upstand (height: 40 - 120 mm)**

Code: A-PXB-A  
Price: 35 €

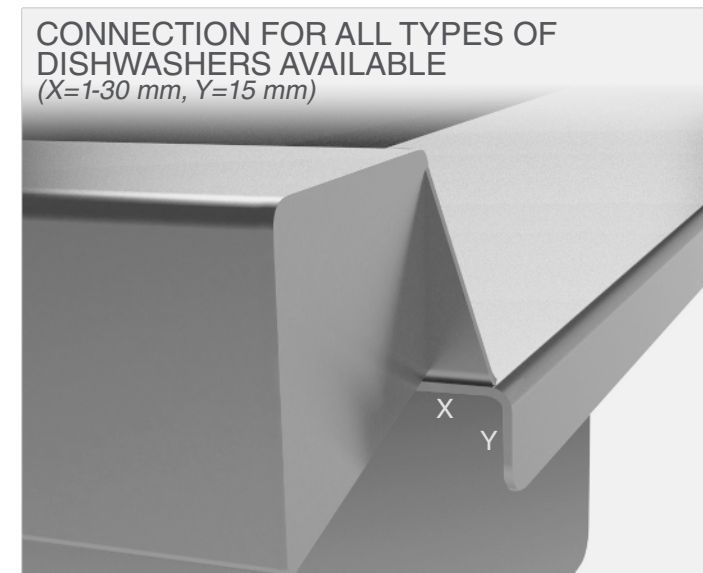
**NEW**



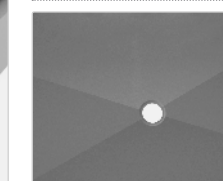
*More accessories on page 3.42.  
Different dimensions and configurations are available on request. Examples on page 3.46.*

Length L, mm	Width B, mm					
	600		700		800	
	Model	Price, €	Model	Price, €	Model	Price, €
800	PV1-PS0-80/60/90	632	PV1-PS0-80/70/90	652	PV1-PS0-80/80/90	673
900	PV1-PS0-90/60/90	661	PV1-PS0-90/70/90	682	PV1-PS0-90/80/90	704
1000	PV1-PS0-100/60/90	689	PV1-PS0-100/70/90	713	PV1-PS0-100/80/90	738
1100	PV1-PS0-110/60/90	717	PV1-PS0-110/70/90	743	PV1-PS0-110/80/90	769
1200	PV1-PS0-120/60/90	745	PV1-PS0-120/70/90	773	PV1-PS0-120/80/90	801
1300	PV1-PS0-130/60/90	773	PV1-PS0-130/70/90	802	PV1-PS0-130/80/90	831
1400	PV1-PS0-140/60/90	800	PV1-PS0-140/70/90	831	PV1-PS0-140/80/90	862
1500	PV1-PS0-150/60/90	828	PV1-PS0-150/70/90	861	PV1-PS0-150/80/90	894
1600	PV1-PS0-160/60/90	854	PV1-PS0-160/70/90	891	PV1-PS0-160/80/90	927

**STANDARD FEATURES**



With or without upstand (all options on page 3.42)

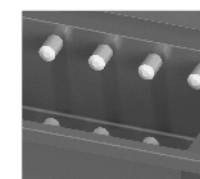


Sink with drain grooves for water run-off



Adjustable stainless steel feet (amplitude 65 mm +30/-35)

**OPTIONAL FEATURES**



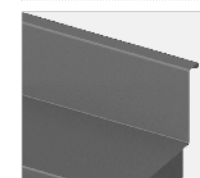
**Short rolls**

Code: Z-K-RR-D50/70  
Price: Ask for price



**Plumbing sets**

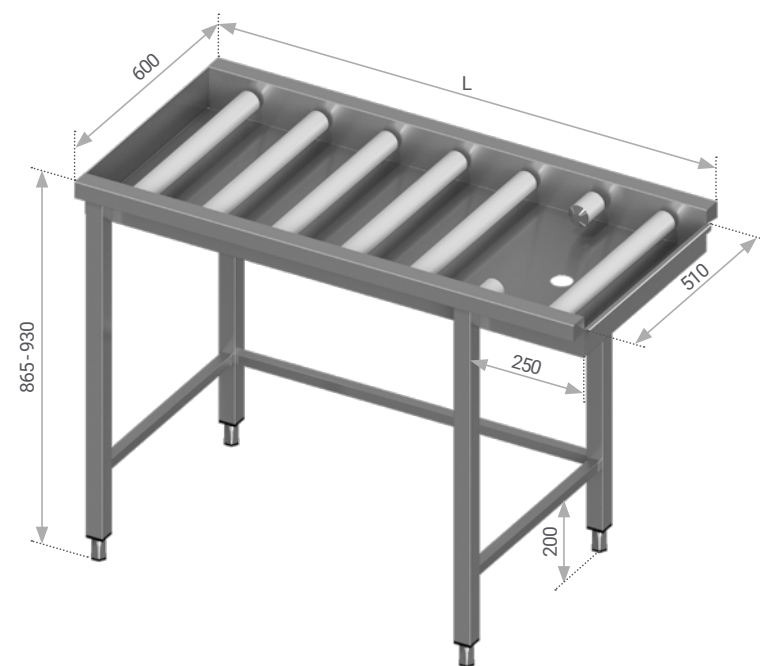
All options on page 3.43



**Customised upstand (height: 40 - 120 mm)**

Code: A-PXB-A  
Price: 35 €

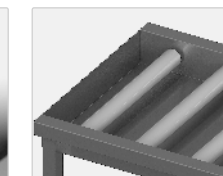
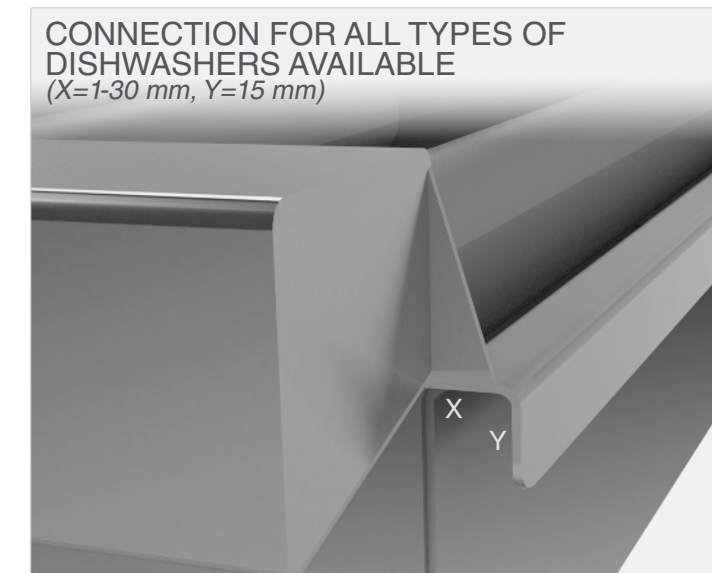




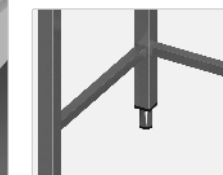
*More accessories on page 3.42.  
Different dimensions and configurations are available on request. Examples on page 3.46.*

Length L, mm	Long rolls		Long and short rolls		Short rolls	
	Model	Price, €	Model	Price, €	Model	Price, €
800	PI0-PR0-80/60/90	638	PM0-PR0-80/60/90	671	PT0-PR0-80/60/90	725
900	PI0-PR0-90/60/90	645	PM0-PR0-90/60/90	678	PT0-PR0-90/60/90	732
1000	PI0-PR0-100/60/90	682	PM0-PR0-100/60/90	741	PT0-PR0-100/60/90	793
1100	PI0-PR0-110/60/90	719	PM0-PR0-110/60/90	777	PT0-PR0-110/60/90	855
1200	PI0-PR0-120/60/90	727	PM0-PR0-120/60/90	784	PT0-PR0-120/60/90	861
1300	PI0-PR0-130/60/90	763	PM0-PR0-130/60/90	847	PT0-PR0-130/60/90	922
1400	PI0-PR0-140/60/90	800	PM0-PR0-140/60/90	883	PT0-PR0-140/60/90	983
1500	PI0-PR0-150/60/90	808	PM0-PR0-150/60/90	890	PT0-PR0-150/60/90	990
1600	PI0-PR0-160/60/90	845	PM0-PR0-160/60/90	953	PT0-PR0-160/60/90	1052
1700	PI0-PR0-170/60/90	882	PM0-PR0-170/60/90	989	PT0-PR0-170/60/90	1112
1800	PI0-PR0-180/60/90	889	PM0-PR0-180/60/90	996	PT0-PR0-180/60/90	1119
1900	PI0-PR0-190/60/90	926	PM0-PR0-190/60/90	1060	PT0-PR0-190/60/90	1179
2000	PI0-PR0-200/60/90	934	PM0-PR0-200/60/90	1066	PT0-PR0-200/60/90	1187
2100	PI0-PR0-210/60/90	989	PM0-PR0-210/60/90	1119	PT0-PR0-210/60/90	1264
2200	PI0-PR0-220/60/90	1026	PM0-PR0-220/60/90	1182	PT0-PR0-220/60/90	1325
2300	PI0-PR0-230/60/90	1033	PM0-PR0-230/60/90	1190	PT0-PR0-230/60/90	1332
2400	PI0-PR0-240/60/90	1070	PM0-PR0-240/60/90	1226	PT0-PR0-240/60/90	1393
2500	PI0-PR0-250/60/90	1106	PM0-PR0-250/60/90	1289	PT0-PR0-250/60/90	1453
2600	PI0-PR0-260/60/90	1113	PM0-PR0-260/60/90	1296	PT0-PR0-260/60/90	1461
2700	PI0-PR0-270/60/90	1151	PM0-PR0-270/60/90	1331	PT0-PR0-270/60/90	1521

**STANDARD FEATURES**



Heavy duty plastic rolls

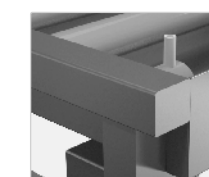


Legs made of stainless steel tube 40 x 40 mm  
Frame made of stainless steel tube 25 x 25 mm



Adjustable stainless steel feet  
(amplitude 65 mm +30/-35)

**OPTIONAL FEATURES**



**Limit switch**

Code: A-PM-EVJ-M  
Price: 85 €



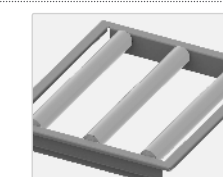
**Plumbing sets**

All options on page 3.43



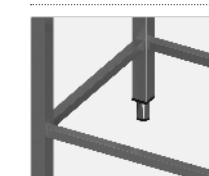
**Customised upstand (height: 40 - 120 mm)**

Code: A-PXB-A  
Price: 35 €



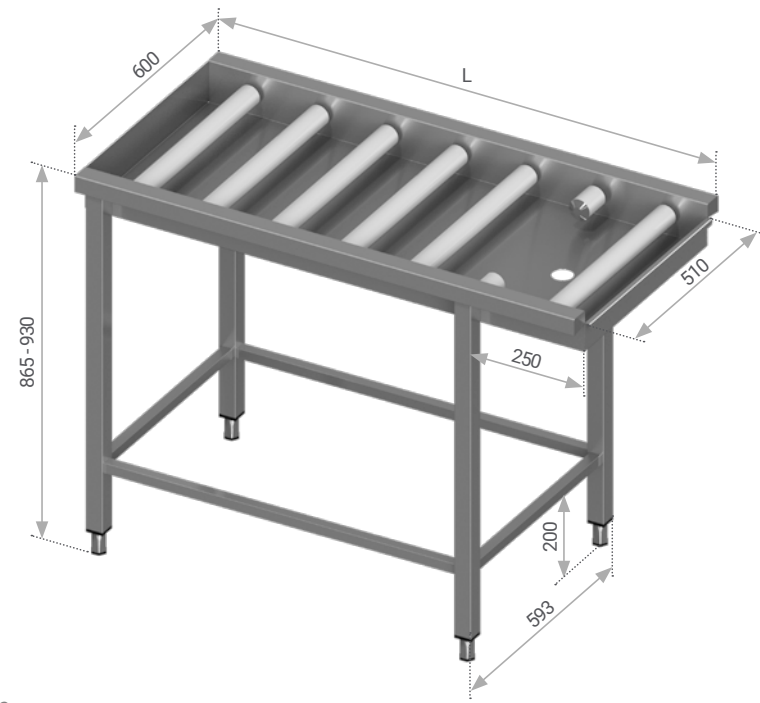
**Removable long rolls**

Code: Z-Y-IRL  
Price: Ask for price



**Reinforced frame**

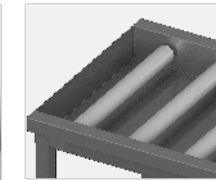
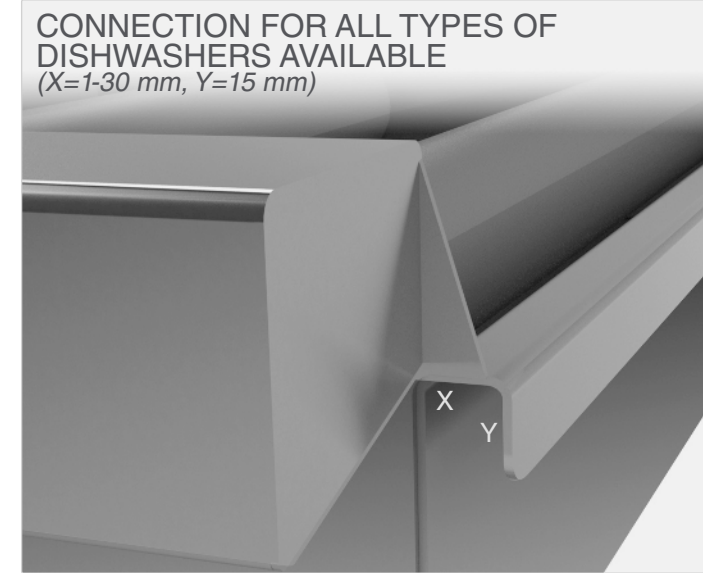
Code: A-PX-RPV  
Price: 50 €  
Note: not for modular shelves



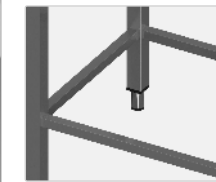
More accessories on page 3.42.  
Different dimensions and configurations are available on request. Examples on page 3.46.

Length L, mm	Long rolls		Long and short rolls		Short rolls	
	Model	Price, €	Model	Price, €	Model	Price, €
800	PI0-PM0-80/60/90	644	PM0-PM0-80/60/90	677	PT0-PM0-80/60/90	731
900	PI0-PM0-90/60/90	653	PM0-PM0-90/60/90	685	PT0-PM0-90/60/90	740
1000	PI0-PM0-100/60/90	691	PM0-PM0-100/60/90	749	PT0-PM0-100/60/90	801
1100	PI0-PM0-110/60/90	729	PM0-PM0-110/60/90	786	PT0-PM0-110/60/90	864
1200	PI0-PM0-120/60/90	739	PM0-PM0-120/60/90	795	PT0-PM0-120/60/90	872
1300	PI0-PM0-130/60/90	777	PM0-PM0-130/60/90	859	PT0-PM0-130/60/90	934
1400	PI0-PM0-140/60/90	815	PM0-PM0-140/60/90	896	PT0-PM0-140/60/90	996
1500	PI0-PM0-150/60/90	823	PM0-PM0-150/60/90	904	PT0-PM0-150/60/90	1004
1600	PI0-PM0-160/60/90	862	PM0-PM0-160/60/90	969	PT0-PM0-160/60/90	1067
1700	PI0-PM0-170/60/90	900	PM0-PM0-170/60/90	1006	PT0-PM0-170/60/90	1129
1800	PI0-PM0-180/60/90	908	PM0-PM0-180/60/90	1015	PT0-PM0-180/60/90	1137
1900	PI0-PM0-190/60/90	948	PM0-PM0-190/60/90	1079	PT0-PM0-190/60/90	1199
2000	PI0-PM0-200/60/90	956	PM0-PM0-200/60/90	1088	PT0-PM0-200/60/90	1207
2100	PI0-PM0-210/60/90	1011	PM0-PM0-210/60/90	1141	PT0-PM0-210/60/90	1285
2200	PI0-PM0-220/60/90	1050	PM0-PM0-220/60/90	1206	PT0-PM0-220/60/90	1347
2300	PI0-PM0-230/60/90	1059	PM0-PM0-230/60/90	1214	PT0-PM0-230/60/90	1355
2400	PI0-PM0-240/60/90	1097	PM0-PM0-240/60/90	1251	PT0-PM0-240/60/90	1417
2500	PI0-PM0-250/60/90	1135	PM0-PM0-250/60/90	1315	PT0-PM0-250/60/90	1480
2600	PI0-PM0-260/60/90	1144	PM0-PM0-260/60/90	1324	PT0-PM0-260/60/90	1488
2700	PI0-PM0-270/60/90	1182	PM0-PM0-270/60/90	1361	PT0-PM0-270/60/90	1550

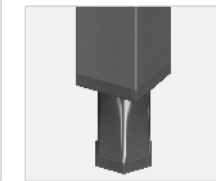
STANDARD FEATURES



Heavy duty plastic rolls

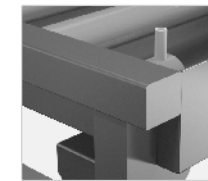


Welded frame  
Legs made of stainless steel tube 40 x 40 mm  
Frame made of stainless steel tube 25 x 25 mm



Adjustable stainless steel feet  
(amplitude 65 mm +30/-35)

OPTIONAL FEATURES



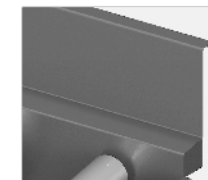
Limit switch

Code: A-PM-EVJ-M  
Price: 85 €



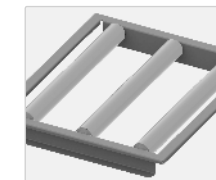
Plumbing sets

All options on page 3.43



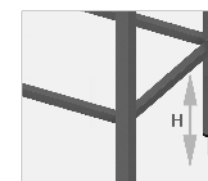
Customised upstand (height: 40 - 120 mm)

Code: A-PXB-A  
Price: 35 €



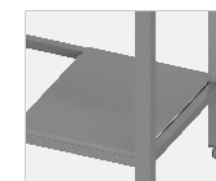
Removable long rolls

Code: Z-Y-IRL  
Price: Ask for price



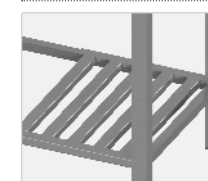
Customised frame height (min 70 mm from floor)

Code: A-PXL-A  
Price: 30 €



Modular stainless steel plate shelf

Code: A-MSL-P  
Price: +10%



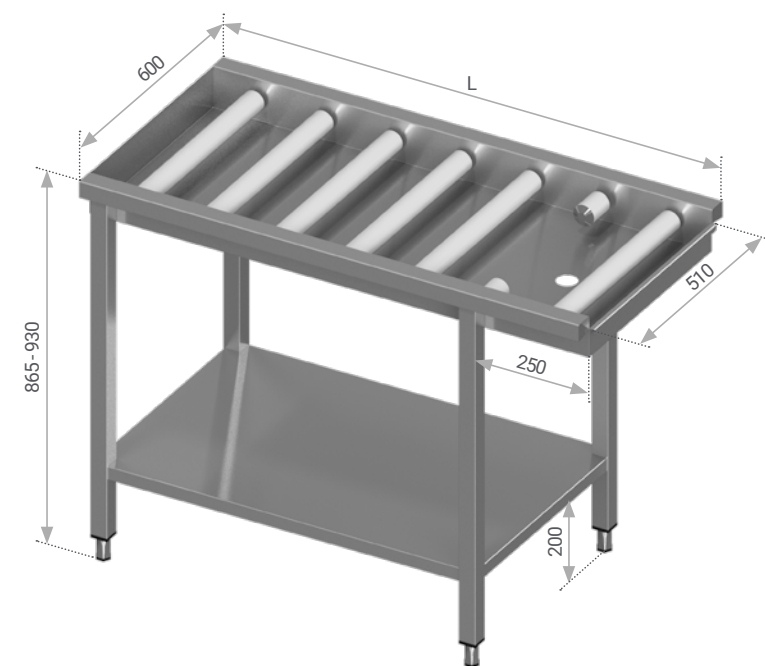
Modular stainless steel shelf

Code: A-MSL-Z  
Price: +12%



Modular plastic shelf

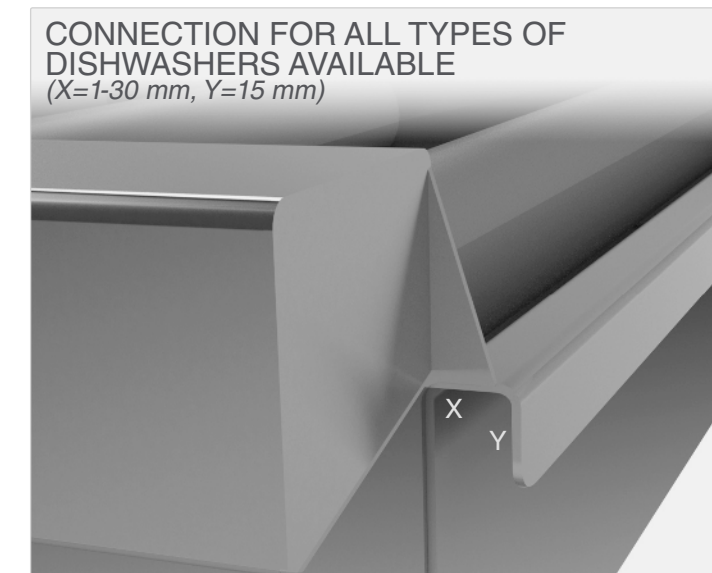
Code: A-MSL-M  
Price: +3%



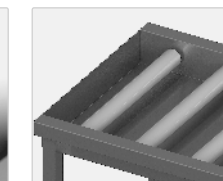
**i** More accessories on page 3.42.  
Different dimensions and configurations are available on request. Examples on page 3.46.

Length L, mm	Long rolls		Long and short rolls		Short rolls	
	Model	Price, €	Model	Price, €	Model	Price, €
800	PI0-PL0-80/60/90	646	PM0-PL0-80/60/90	679	PT0-PL0-80/60/90	733
900	PI0-PL0-90/60/90	656	PM0-PL0-90/60/90	688	PT0-PL0-90/60/90	743
1000	PI0-PL0-100/60/90	695	PM0-PL0-100/60/90	754	PT0-PL0-100/60/90	805
1100	PI0-PL0-110/60/90	734	PM0-PL0-110/60/90	792	PT0-PL0-110/60/90	869
1200	PI0-PL0-120/60/90	745	PM0-PL0-120/60/90	801	PT0-PL0-120/60/90	879
1300	PI0-PL0-130/60/90	785	PM0-PL0-130/60/90	867	PT0-PL0-130/60/90	941
1400	PI0-PL0-140/60/90	824	PM0-PL0-140/60/90	905	PT0-PL0-140/60/90	1005
1500	PI0-PL0-150/60/90	834	PM0-PL0-150/60/90	915	PT0-PL0-150/60/90	1015
1600	PI0-PL0-160/60/90	873	PM0-PL0-160/60/90	981	PT0-PL0-160/60/90	1077
1700	PI0-PL0-170/60/90	913	PM0-PL0-170/60/90	1019	PT0-PL0-170/60/90	1141
1800	PI0-PL0-180/60/90	923	PM0-PL0-180/60/90	1028	PT0-PL0-180/60/90	1151
1900	PI0-PL0-190/60/90	963	PM0-PL0-190/60/90	1094	PT0-PL0-190/60/90	1213
2000	PI0-PL0-200/60/90	972	PM0-PL0-200/60/90	1103	PT0-PL0-200/60/90	1223
2100	PI0-PL0-210/60/90	1027	PM0-PL0-210/60/90	1157	PT0-PL0-210/60/90	1300
2200	PI0-PL0-220/60/90	1066	PM0-PL0-220/60/90	1222	PT0-PL0-220/60/90	1363
2300	PI0-PL0-230/60/90	1076	PM0-PL0-230/60/90	1232	PT0-PL0-230/60/90	1373
2400	PI0-PL0-240/60/90	1117	PM0-PL0-240/60/90	1270	PT0-PL0-240/60/90	1436
2500	PI0-PL0-250/60/90	1156	PM0-PL0-250/60/90	1336	PT0-PL0-250/60/90	1499
2600	PI0-PL0-260/60/90	1166	PM0-PL0-260/60/90	1345	PT0-PL0-260/60/90	1509
2700	PI0-PL0-270/60/90	1205	PM0-PL0-270/60/90	1383	PT0-PL0-270/60/90	1572

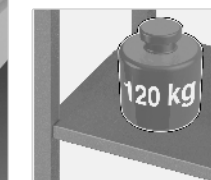
**STANDARD FEATURES**



CONNECTION FOR ALL TYPES OF DISHWASHERS AVAILABLE  
(X=1-30 mm, Y=15 mm)



Heavy duty plastic rolls

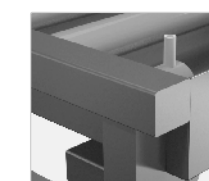


Welded frame  
Legs made of stainless steel tube 40 x 40 mm  
Max loading 120 kg/shelf (uniform layout)



Adjustable stainless steel feet  
(amplitude 65 mm +30/-35)

**OPTIONAL FEATURES**



**Limit switch**

Code: A-PM-EVJ-M  
Price: 85 €



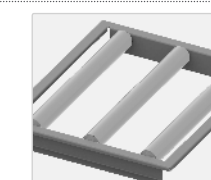
**Plumbing sets**

All options on page 3.43



**Customised upstand (height: 40 - 120 mm)**

Code: A-PXB-A  
Price: 35 €



**Removable long rolls**

Code: Z-Y-IRL  
Price: Ask for price



**Customised shelf height (min 70 mm from floor)**

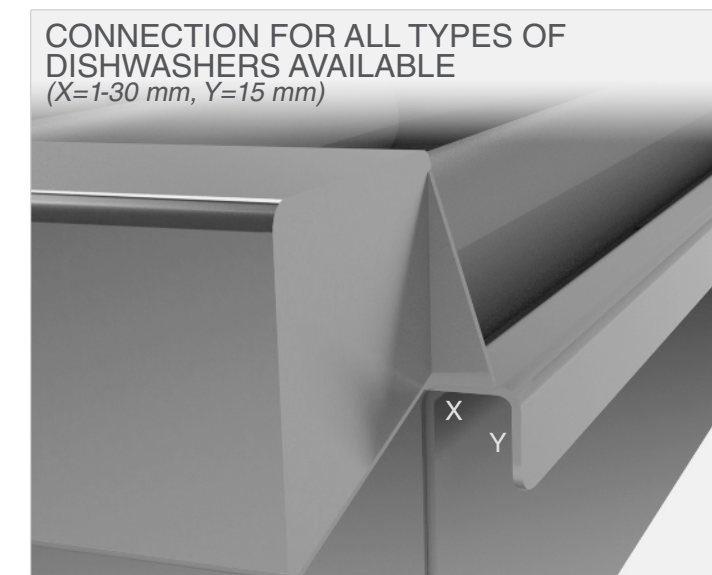
Code: A-PXL-A  
Price: 30 €



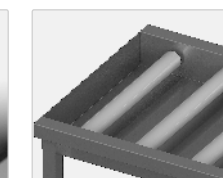
**i** More accessories on page 3.42.  
Different dimensions and configurations are available on request. Examples on page 3.46.

Length L, mm	Long rolls		Long and short rolls		Short rolls	
	Model	Price, €	Model	Price, €	Model	Price, €
800	PI0-PS0-80/60/90	663	PM0-PS0-80/60/90	695	PT0-PS0-80/60/90	749
900	PI0-PS0-90/60/90	675	PM0-PS0-90/60/90	706	PT0-PS0-90/60/90	759
1000	PI0-PS0-100/60/90	714	PM0-PS0-100/60/90	771	PT0-PS0-100/60/90	823
1100	PI0-PS0-110/60/90	754	PM0-PS0-110/60/90	810	PT0-PS0-110/60/90	887
1200	PI0-PS0-120/60/90	764	PM0-PS0-120/60/90	820	PT0-PS0-120/60/90	896
1300	PI0-PS0-130/60/90	804	PM0-PS0-130/60/90	887	PT0-PS0-130/60/90	960
1400	PI0-PS0-140/60/90	844	PM0-PS0-140/60/90	925	PT0-PS0-140/60/90	1024
1500	PI0-PS0-150/60/90	854	PM0-PS0-150/60/90	934	PT0-PS0-150/60/90	1033
1600	PI0-PS0-160/60/90	894	PM0-PS0-160/60/90	1000	PT0-PS0-160/60/90	1096
1700	PI0-PS0-170/60/90	935	PM0-PS0-170/60/90	1040	PT0-PS0-170/60/90	1161
1800	PI0-PS0-180/60/90	945	PM0-PS0-180/60/90	1050	PT0-PS0-180/60/90	1170
1900	PI0-PS0-190/60/90	985	PM0-PS0-190/60/90	1115	PT0-PS0-190/60/90	1234
2000	PI0-PS0-200/60/90	994	PM0-PS0-200/60/90	1125	PT0-PS0-200/60/90	1243
2100	PI0-PS0-210/60/90	1055	PM0-PS0-210/60/90	1182	PT0-PS0-210/60/90	1326
2200	PI0-PS0-220/60/90	1094	PM0-PS0-220/60/90	1248	PT0-PS0-220/60/90	1388
2300	PI0-PS0-230/60/90	1104	PM0-PS0-230/60/90	1259	PT0-PS0-230/60/90	1399
2400	PI0-PS0-240/60/90	1144	PM0-PS0-240/60/90	1297	PT0-PS0-240/60/90	1462
2500	PI0-PS0-250/60/90	1186	PM0-PS0-250/60/90	1364	PT0-PS0-250/60/90	1526
2600	PI0-PS0-260/60/90	1195	PM0-PS0-260/60/90	1373	PT0-PS0-260/60/90	1536
2700	PI0-PS0-270/60/90	1234	PM0-PS0-270/60/90	1412	PT0-PS0-270/60/90	1600

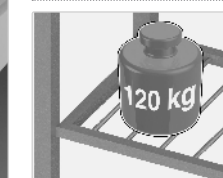
**STANDARD FEATURES**



CONNECTION FOR ALL TYPES OF DISHWASHERS AVAILABLE  
(X=1-30 mm, Y=15 mm)



Heavy duty plastic rolls

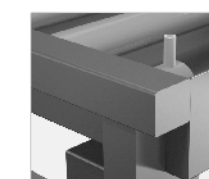


Welded frame  
Legs made of stainless steel tube 40 x 40 mm  
Max loading 120 kg/shelf (uniform layout)



Adjustable stainless steel feet  
(amplitude 65 mm +30/-35)

**OPTIONAL FEATURES**



**Limit switch**

Code: A-PM-EVJ-M  
Price: 85 €



**Plumbing sets**

All options on page 3.43



**Customised upstand (height: 40 - 120 mm)**

Code: A-PXB-A  
Price: 35 €



**Removable long rolls**

Code: Z-Y-IRL  
Price: Ask for price

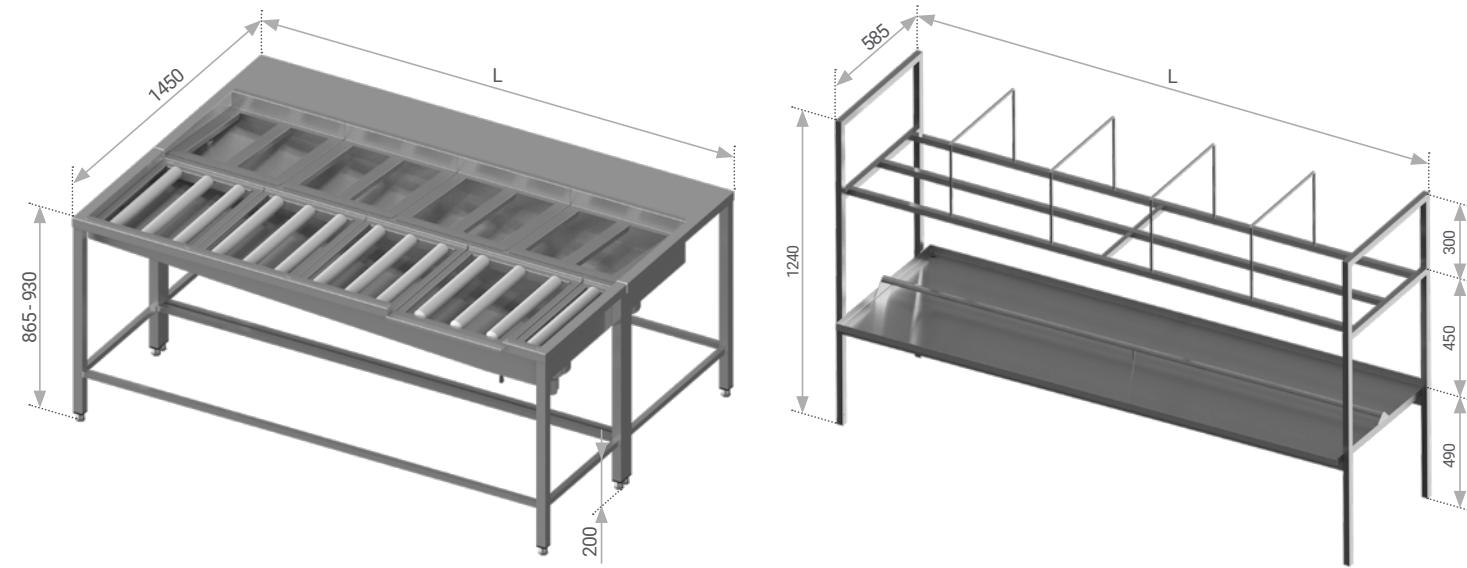


**Customised shelf height (min 70 mm from floor)**

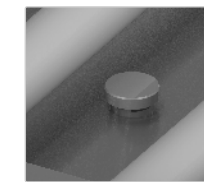
Code: A-PXL-A  
Price: 30 €



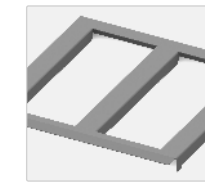
## STANDARD FEATURES



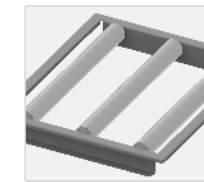
Adjustable stainless steel feet (amplitude 65 mm +30/-35)



High pressure washing nozzle



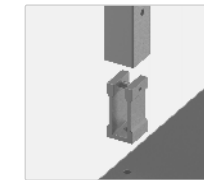
Removable sliding frame



Removable rolls



Plumbing sets (all options on page 3.43)



Shelf is easy to assemble on sorting table

**i** More accessories on page 3.42. Different dimensions and configurations are available on request. Examples on page 3.46.

Length L, mm	Model	Price, €	Length L, mm	Model	Price, €
1000	Z-ISL-PRX-100/145/90	1620	1000	Z-LPB2-100/58/124	397
1100	Z-ISL-PRX-110/145/90	1663	1100	Z-LPB2-110/58/124	407
1200	Z-ISL-PRX-120/145/90	1707	1200	Z-LPB2-120/58/124	417
1300	Z-ISL-PRX-130/145/90	1750	1300	Z-LPB2-130/58/124	427
1400	Z-ISL-PRX-140/145/90	1793	1400	Z-LPB2-140/58/124	438
1500	Z-ISL-PRX-150/145/90	1836	1500	Z-LPB2-150/58/124	448
1600	Z-ISL-PRX-160/145/90	1880	1600	Z-LPB2-160/58/124	459
1700	Z-ISL-PRX-170/145/90	2013	1700	Z-LPB2-170/58/124	460
1800	Z-ISL-PRX-180/145/90	2056	1800	Z-LPB2-180/58/124	479
1900	Z-ISL-PRX-190/145/90	2100	1900	Z-LPB2-190/58/124	489
2000	Z-ISL-PRX-200/145/90	2143	2000	Z-LPB2-200/58/124	500
2100	Z-ISL-PRX-210/145/90	2186	2100	Z-LPB2-210/58/124	510
2200	Z-ISL-PRX-220/145/90	2229	2200	Z-LPB2-220/58/124	520
2300	Z-ISL-PRX-230/145/90	2273	2300	Z-LPB2-230/58/124	530
2400	Z-ISL-PRX-240/145/90	2316	2400	Z-LPB2-240/58/124	541
2500	Z-ISL-PRX-250/145/90	2359	2500	Z-LPB2-250/58/124	551
2600	Z-ISL-PRX-260/145/90	2402	2600	Z-LPB2-260/58/124	561
2700	Z-ISL-PRX-270/145/90	2446	2700	Z-LPB2-270/58/124	572
2800	Z-ISL-PRX-280/145/90	2489	2800	Z-LPB2-280/58/124	592

## OPTIONAL FEATURES



**Trolley for cutlery with valve**

Code: VT11-55/55/65  
Price: 335 €  
Note: more information on page 5.22



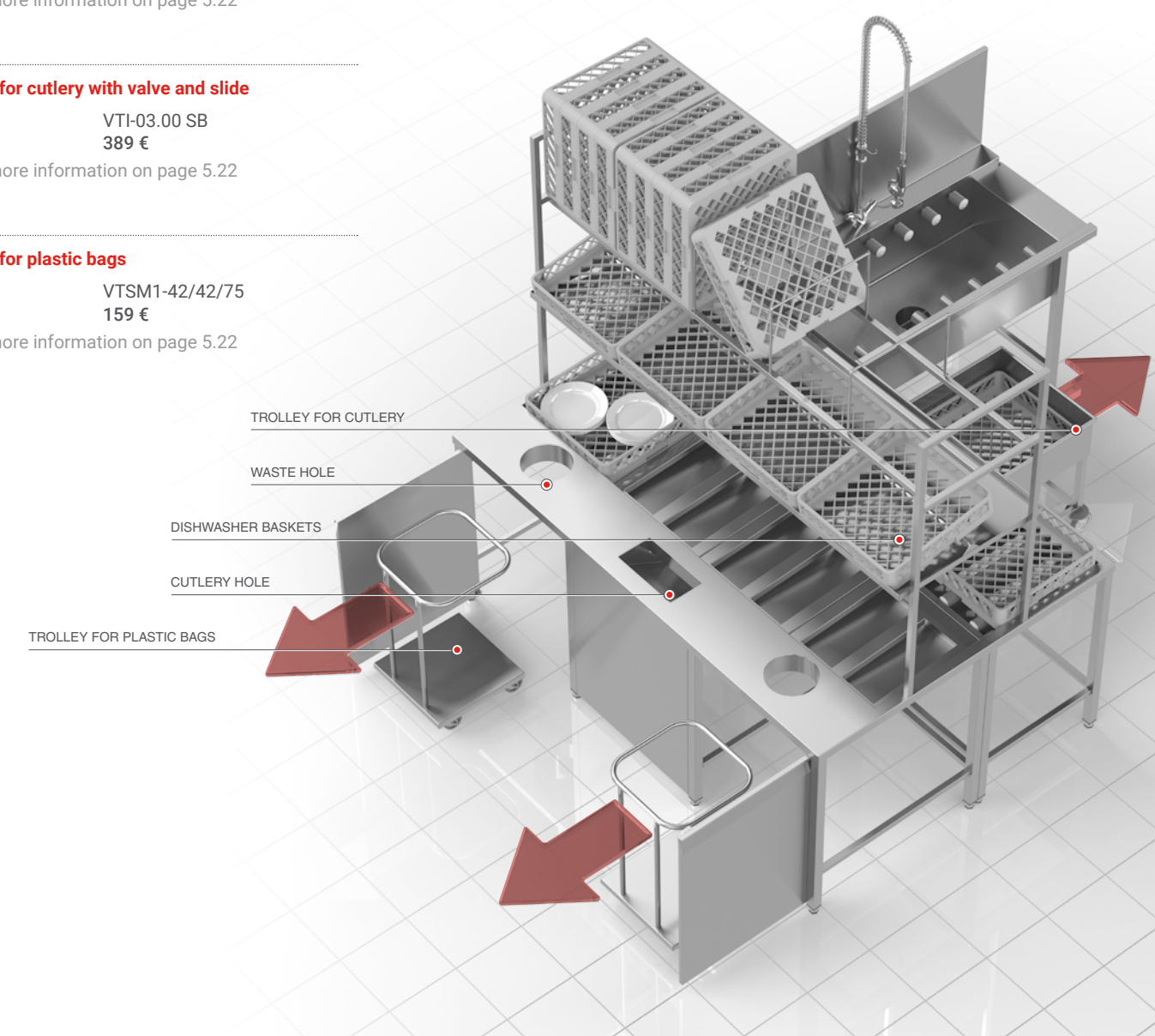
**Trolley for cutlery with valve and slide**

Code: VTI-03.00 SB  
Price: 389 €  
Note: more information on page 5.22

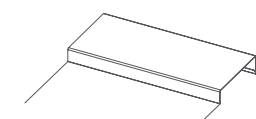


**Trolley for plastic bags**

Code: VTSM1-42/42/75  
Price: 159 €  
Note: more information on page 5.22

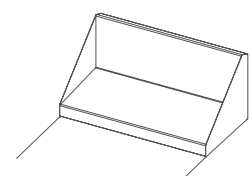


UPSTANDS



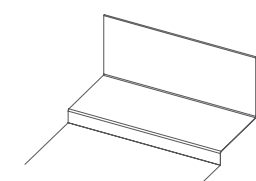
Without upstand

Code: A-PX-B2  
Price: Free of charge



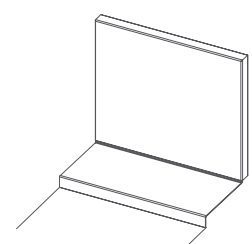
Splash guard

Code: A-PX-BUKK (left)  
A-PX-BUKD (right)  
Price/side: 32 €



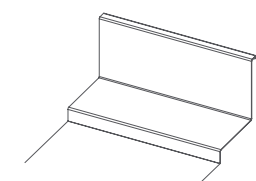
Flat upstand (height 130 mm)

Code: A-PX-B6  
Price: Free of charge



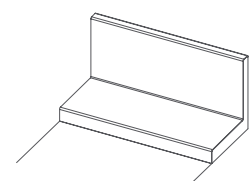
Extended removable upstand (200 - 500 mm)

Code: A-PX-BPA  
Price/1000 mm<sup>2</sup>: 100 €



Standard upstand (height 130 mm)

Code: A-PX-B4  
Price: Free of charge



Standard upstand (height 130 mm) with closed side

Code: A-PX-BUPK (left)  
A-PX-BUPD (right)  
Price/side: 11 €

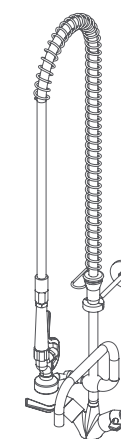
PLUMBING SETS

<p><b>A-PL-PR1</b> Strainer 10 €</p>	<p><b>A-PL-PR2</b> Valve 72 €</p>	<p><b>A-PL-PR3</b> Waste basket with strainer 77 €</p>	<p><b>A-PL-PR4</b> Strainer and overflow 14 €</p>	<p><b>A-PL-PR5</b> Valve and overflow 86 €</p>
<p><b>A-PL-PR6</b> Waste basket, strainer and overflow 91 €</p>	<p><b>A-PL-PR7</b> Waste basket and valve 149 €</p>	<p><b>A-PL-PR8</b> Waste basket, valve and overflow 163 €</p>	<p><b>A-PL-PR9</b> Overflow pipe 39 €</p>	

STANDARD SINKS

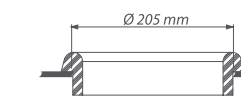
<p>600 450 60x45x25 196 €</p>	<p>500 400 50x40x25 50x40x30 148 €</p>	<p>400 400 40x40x25 128 €</p>	<p>330 330 33x33x20 148 €</p>
---	--	---	---

ACCESSORIES



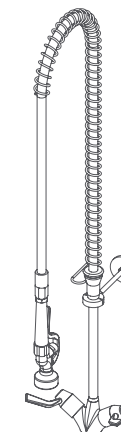
Pre-rinse unit with tap

Code: K-SDM  
Price/pc: 233 €



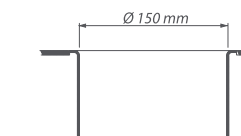
Waste hole Ø205 mm (rubber ring)

Code: K-FGA-D205  
Price: 72 €



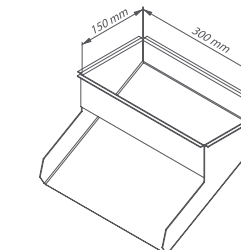
Pre-rinse unit without tap

Code: K-SDX  
Price/pc: 193 €



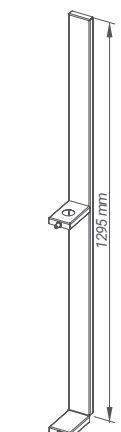
Stainless steel waste hole (Ø150, Ø200 or Ø250 mm)

Code: Y-SNA-150  
Y-SNA-200  
Y-SNA-250  
Price: 72 €



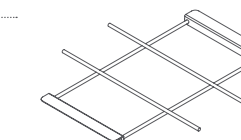
Hole for cutlery

Code: Y-SNI-150  
Price: 103 €



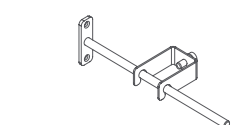
Pre-rinse unit stand

Code: A-PX-DS  
Price/pc: 94 €



Sliding grid for sink

Code: Y-SGP  
Price: 20 €



Set of wall fasteners for tables (2 pcs)

Code: Y-TV-40  
Price: 22 €

OPTIONAL SINKS

<p>500 500 50x50x25 50x50x30 Ask for price</p>	<p>600 500 60x50x30 Ask for price</p>	<p>700 496 70x50x30 Ask for price</p>	<p>550 550 55x55x25 Ask for price</p>
--	---	---	---

*i* Custom sizes are also available

## **i** NOVAMETA STANDARD TERMS

### **Applicability**

These Standard Terms ("Terms") apply to all products supplied directly by Novameta to its distributors.

### **Validity of quotations**

Quotations are valid for 90 days unless otherwise explicitly stated in the individual quotation. Not responsible for misprints.

### **Delivery terms**

Provided in the proforma invoice.

In case of ex-works (INCOTERMS 2010) Novameta shall not be liable for delays and the distributor shall not be permitted to terminate the purchase due to delays unless agreed to in writing.

### **Payment terms**

Provided in the proforma invoice.

If a higher credit limit is necessary, security is mandatory. Novameta may reduce a credit limit at any time if considered appropriate by Novameta.

### **Storage terms**

Provided in the proforma invoice.

### **Retention of Title**

Novameta shall retain title in all products and components sold to the distributor until the distributor has paid for the products in full (including transportation and packaging costs).

### **Warranty terms**

Novameta provides a Manufacturer's warranty for all of the equipment against defects in materials and workmanship for a period of 1 year from the date of invoicing of the defective product or component to the distributor. Manufacturer undertakes to replace all inferior parts to proper quality parts or materials. In case of a fault, a properly filled claim is required and must contain all essential information relative to the fault. Faulty parts shall be returned to Manufacturer for further inspection.

### **Extended warranty**

The extended warranty is solely applicable to certain equipment (indicated in the price list). The extended warranty costs extra of the item's list price. Standard warranty terms apply.

### **Warranty exclusions and limitations of liability**

The warranty in these Terms shall be the distributor's exclusive remedy for defective products and components towards Novameta. Novameta shall not be liable for any costs, expenses, losses or claims (whether direct, indirect, consequential or otherwise) relating to defective products or components unless otherwise explicitly stated herein or agreed in writing. Any expenses in connection with the installation or costs of making adjustments (including service procedures, travel time costs) on the equipment to comply with the supply at the point of installation are not covered by this warranty.

The producer does not take any responsibility for damages that occur due to ignorance of cautions, improper maintenance or mechanical damages of the unit, including those, caused during the delivery. This warranty is not effective if damage occurs from improper installation, misuse; incorrect voltage supply, wear and tear from normal usage, accidental breakage, damage or if the equipment is operated contrary to the user instructions. The warranty does not cover if the damage occurs due to natural disasters; fire, if repair service was made by unauthorized person.

In case of a failure not covered by the warranty, we provide a possibility to purchase spare parts.

## **i** NOVAMETA STANDARD TERMS

### **Procedure for repair or replacement under the warranty**

The distributor shall, at its own costs, make all reasonable attempts to repair any defective component or product.

If such repair is not possible for the distributor, the distributor shall contact Novameta in writing immediately (within 3 working days) upon suspicion of any defects that may be covered by the warranty. If Novameta is not contacted immediately (within 3 working days) in such cases, the distributor shall have no remedies.

Distributor's contact shall include specific information as to the suspected defect the relevant order number and a copy of the relevant invoice.

After timely receipt of the above, Novameta will decide if there is a defect, whether the claim is covered by the warranty, and whether the product or component is to be replaced.

In cases where Novameta decides to replace defective products or components with new ones, the distributor will be billed the full amount for the goods when they are sent. This amount will then be credited when the defective product or components is returned to Novameta and it is established that the defective product or component is covered by the warranty.

With regard to the transport of products and components, Novameta will pay the freight of new or repaired products and components, while the distributor will pay the freight for defective goods that are returned (and any other costs related to the return of the goods). The warranty does not cover expenses of the service procedures performed. Novameta does not provide service.

Unless otherwise agreed in writing, the defective product or component should always be returned to Novameta: Draugystės g. 15D, LT-51227 Kaunas, Lithuania.

### **Cancellations**

If an order cancellation request is made after confirmation of drawing and proforma invoice, adjustments are not possible and production cannot be stopped. In case of cancellation product will be charged in full.

### **Shipping and packing**

Novameta will pack products for shipment in Novameta standard packaging. If the distributor has other requirements as to packing, the distributor shall contact Novameta to make special arrangements.

### **Delivery recommendations**

Upon receipt, inspect units immediately for any shipping damage and notify carrier immediately if damage is found. It must be reported immediately (upon delivery) in writing in the CMR. Otherwise neither the Manufacturer nor the carrier can take responsibility for transport damage. All items are thoroughly inspected and carefully packed before leaving our factory, thus Novameta cannot accept responsibility for any shipping damage, however Novameta will assist in filing a claim.

### **Liability and Product liability**

Novameta shall only be liable for defects and product liability to the extent set out herein (see particularly warranty terms). In addition to the aforesaid all liability is capped at the invoiced price of the defective product. All other liability is hereby excluded.

### **Choice of law and Venue**

These Terms and the cooperation between Novameta and its distributors, including any disputes relating thereto, shall be governed by Lithuanian law.

Any disputes shall be settled before the Lithuanian courts, which shall have exclusive jurisdiction.

Company No. 235886490, VAT Reg. No. LT 358864917

Reg. No. 048959, Centre of Registers

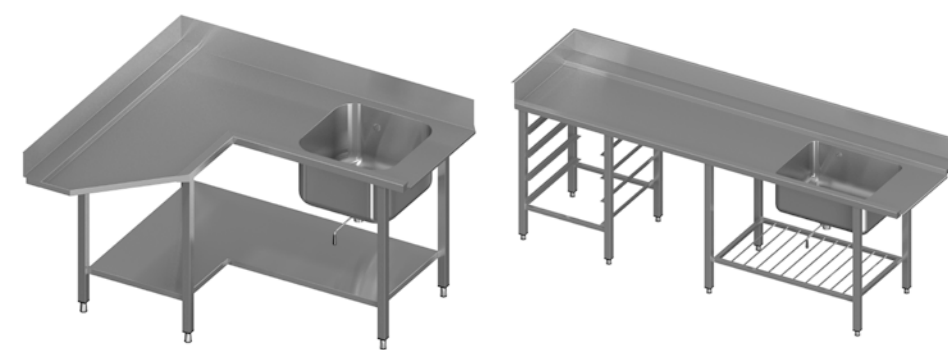
IBAN: LT227300010071982293, Swedbank, AB



**REFERENCES**

**COMPANY CANTEENS**

- Booking.com Headquarters*  
Amsterdam, Netherlands
- Novo Nordisk Pharmaceutical Company*  
Bagsvaerd, Denmark
- Google Office*  
Copenhagen, Denmark
- Michael Kors Distribution Centre*  
Venlo, Netherlands
- Samsung Electronics Benelux Office*  
Amsterdam, Netherlands
- Nordea Bank Headquarters*  
Oslo, Norway
- ING Bank Office*  
Amsterdam, Netherlands
- Rabobank Bank*  
Eindhoven, Netherlands
- KLM Catering Services Office*  
Amsterdam, Netherlands

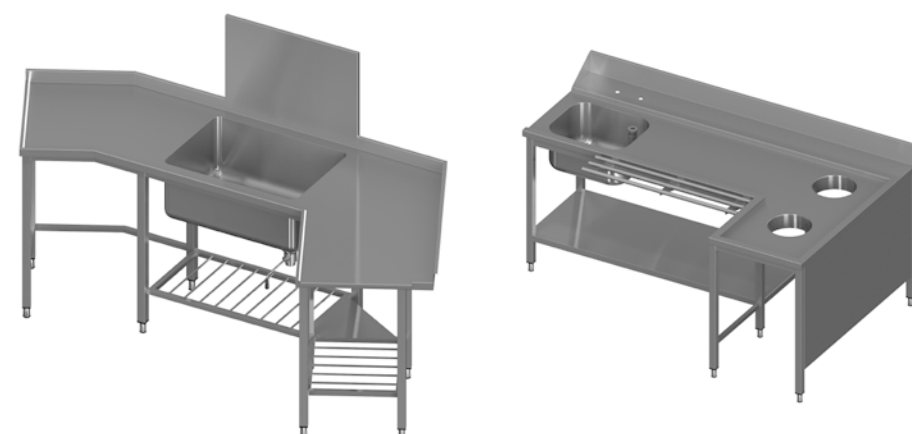


ZA16-3050

ZA13-316

**EDUCATIONAL INSTITUTIONS**

- University of Wolverhampton*  
Wolverhampton, United Kingdom
- Copenhagen International School*  
Copenhagen, Denmark
- Farmen Barnehage Kindergarten*  
Levanger, Norway

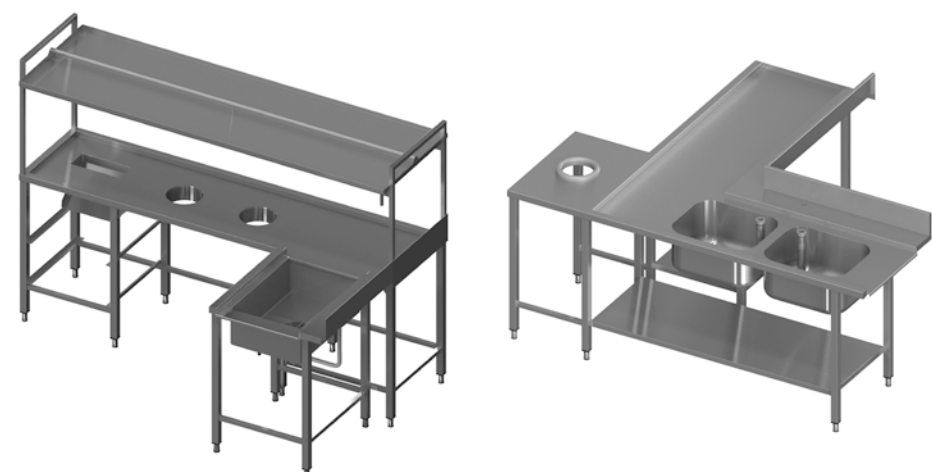


ZE16-3005

ZW16-3036

**HOTELS**

- Ramada Resort Hadera Beach Hotel*  
Hadera, Israel
- Hilton Slussen Hotel*  
Stockholm, Sweden
- Kempinski Hotel Cathedral Square*  
Vilnius, Lithuania
- Thon Hotel Chain*  
Norway
- Tallink City Hotel*  
Tallinn, Estonia



ZE16-3084

ZW16-3023

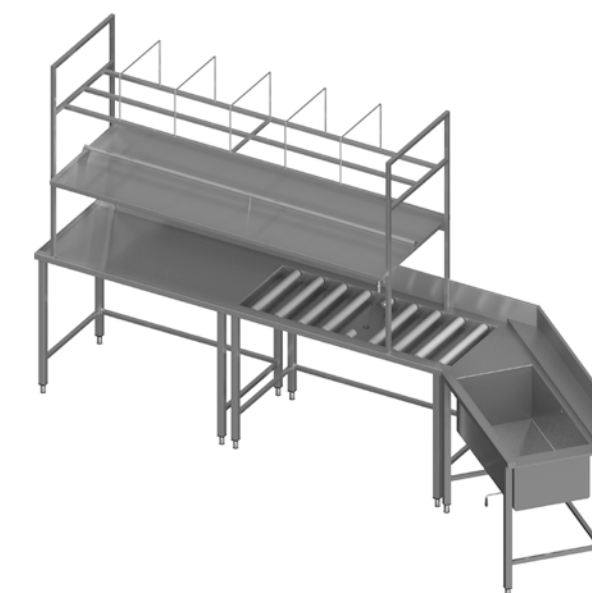
**LEISURE AND LARGE VENUES**

- Royal Theatre Carre*  
Amsterdam, Netherlands
- LEGOLAND Amusement Park*  
Billund, Denmark
- The Well Spa Centre*  
Oslo, Norway

**REFERENCES**

**RESTAURANTS AND BARS**

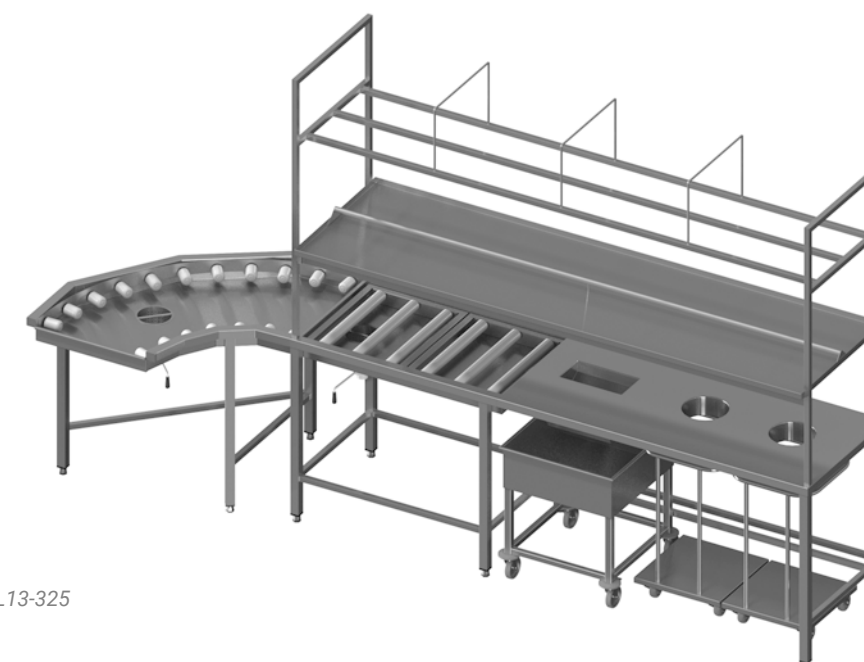
- TGI Fridays Bar & Restaurant*  
Sweden
- Chateau Motel Nightclub*  
Copenhagen, Denmark
- Happy Italy Restaurants*  
Netherlands
- Milu Bar & Restaurant*  
The Hague, Netherlands
- Easy Wine Bar*  
Riga, Latvia
- Flammen Restaurants*  
Denmark
- Bierhuis Restaurant*  
Uppsala, Sweden
- Hotcha Restaurant*  
Liverpool, United Kingdom



ZE16-3059

**GOVERNMENT & PUBLIC SERVICES**

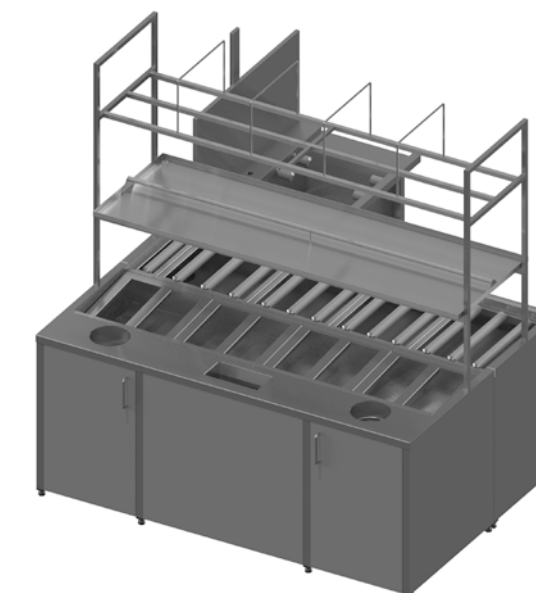
- Ministry of Economic Affairs*  
The Hague, Netherlands
- Embassy of Hungary*  
Stockholm, Sweden
- Statsfængslet Nordfalster Prison*  
Nordfalster, Denmark



ZL13-325

**HEALTHCARE**

- Mare Klinikum Medical Diagnostic Centre*  
Kiel, Germany
- Wexham Park Hospital*  
Slough, United Kingdom
- Zaans Medical Centre*  
Zaandam, Netherlands
- Rikshospitalet Hospital*  
Oslo, Norway
- Syrenparken Psychiatric Hospital*  
Børkop, Denmark

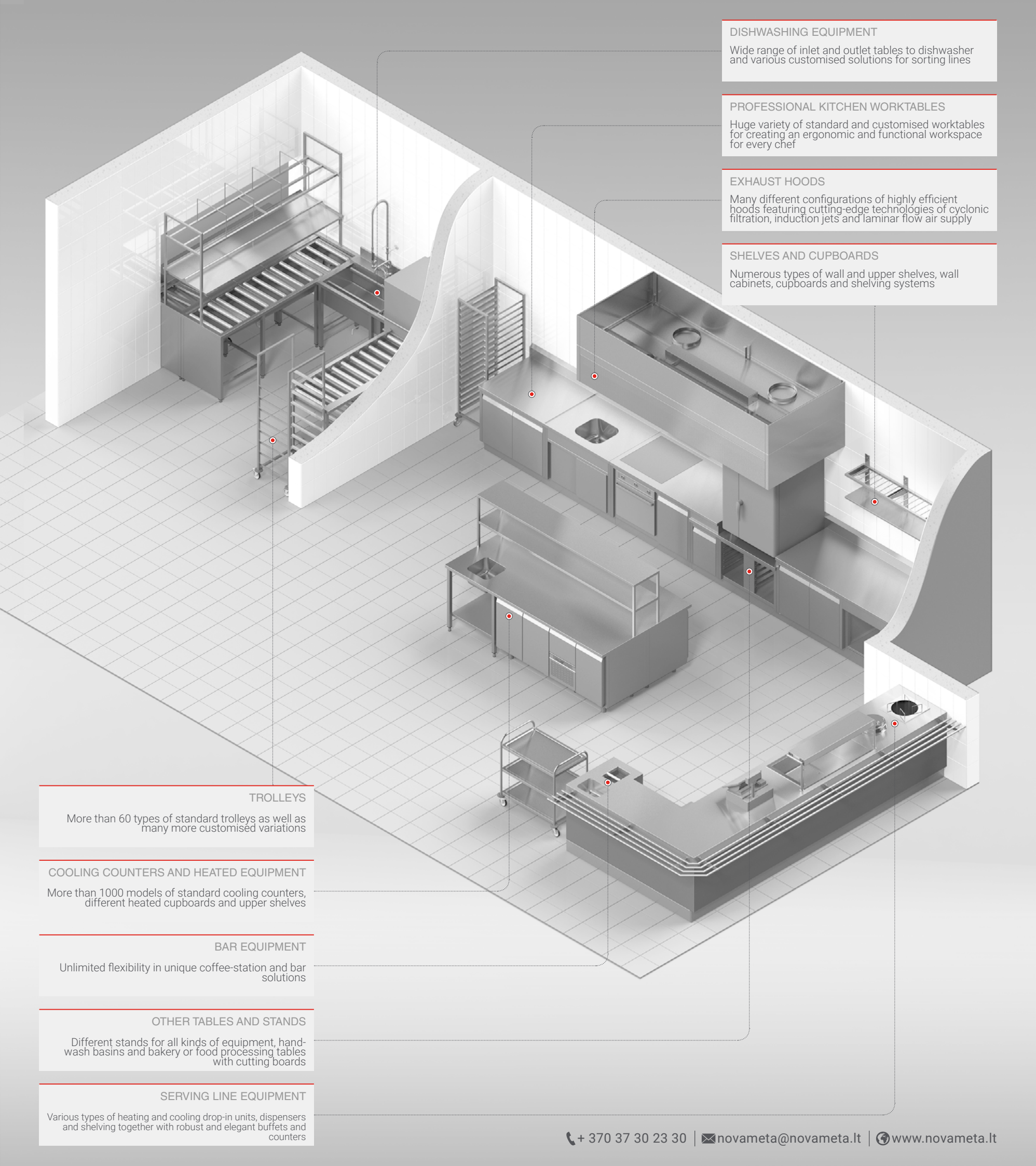


ZJ14-3020

**SHOPS AND SUPERMARKETS**

- ICA Supermarkets*  
Sweden
- IKEA Stores*  
Netherlands; Lithuania
- Coop Supermarkets*  
Norway
- Hema Supermarkets*  
Netherlands





#### DISHWASHING EQUIPMENT

Wide range of inlet and outlet tables to dishwasher and various customised solutions for sorting lines

#### PROFESSIONAL KITCHEN WORKTABLES

Huge variety of standard and customised worktables for creating an ergonomic and functional workspace for every chef

#### EXHAUST HOODS

Many different configurations of highly efficient hoods featuring cutting-edge technologies of cyclonic filtration, induction jets and laminar flow air supply

#### SHELVES AND CUPBOARDS

Numerous types of wall and upper shelves, wall cabinets, cupboards and shelving systems

#### TROLLEYS

More than 60 types of standard trolleys as well as many more customised variations

#### COOLING COUNTERS AND HEATED EQUIPMENT

More than 1000 models of standard cooling counters, different heated cupboards and upper shelves

#### BAR EQUIPMENT

Unlimited flexibility in unique coffee-station and bar solutions

#### OTHER TABLES AND STANDS

Different stands for all kinds of equipment, hand-wash basins and bakery or food processing tables with cutting boards

#### SERVING LINE EQUIPMENT

Various types of heating and cooling drop-in units, dispensers and shelving together with robust and elegant buffets and counters